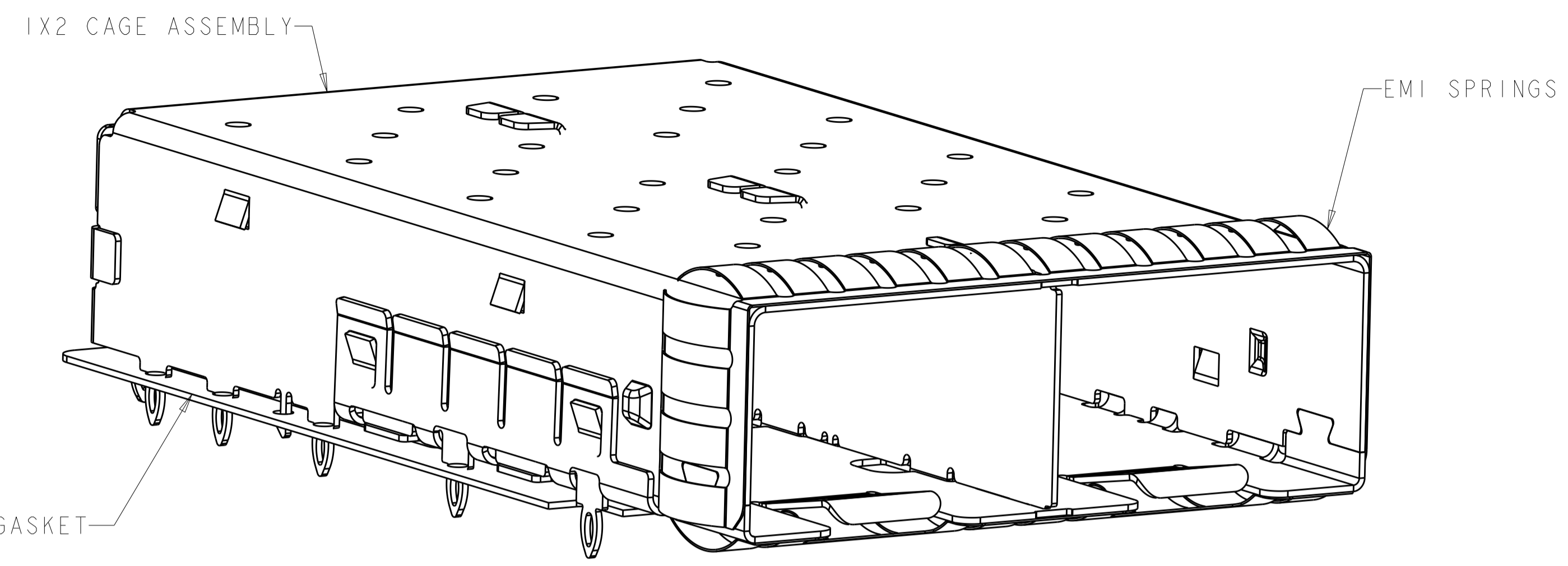
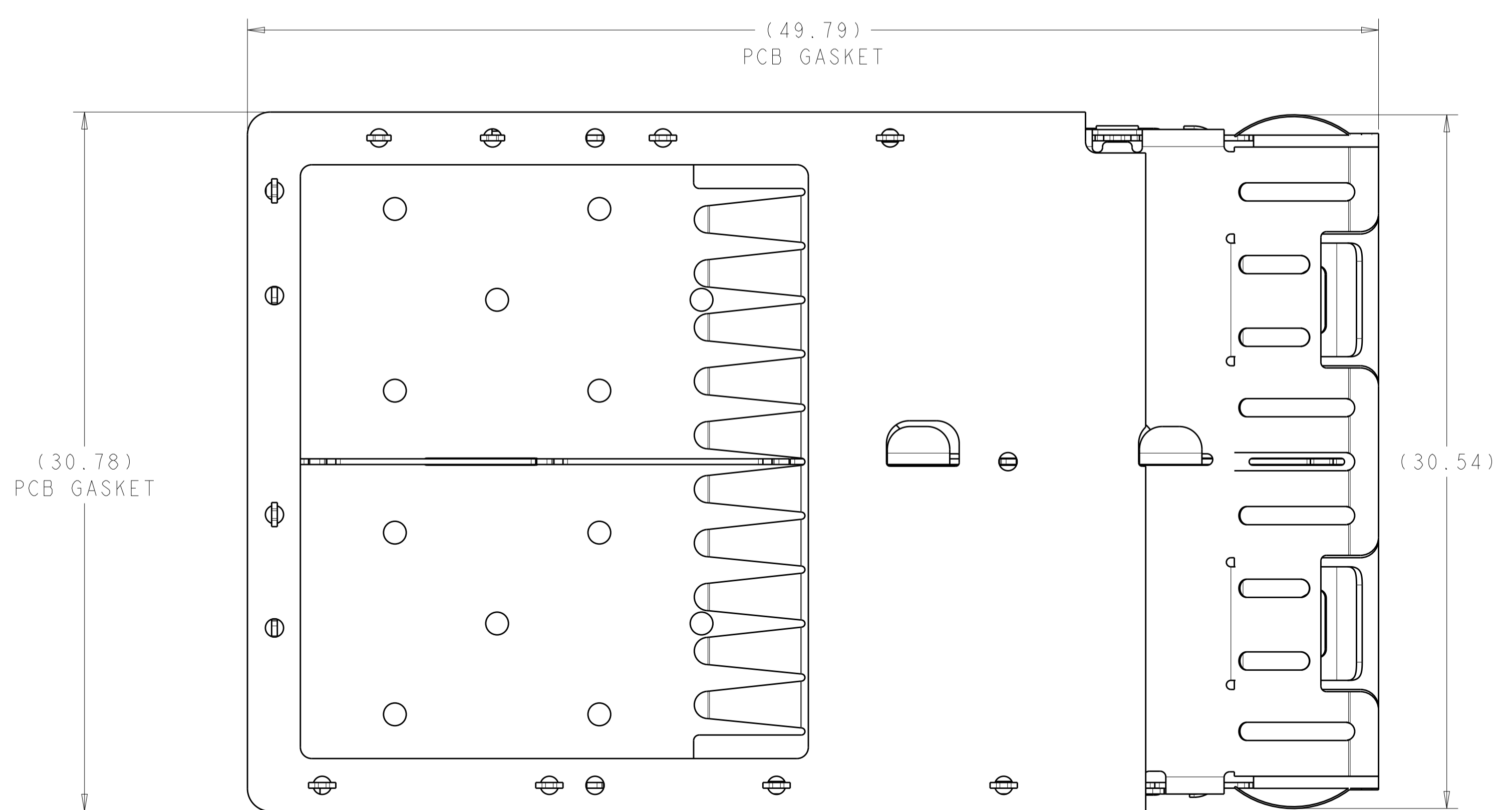
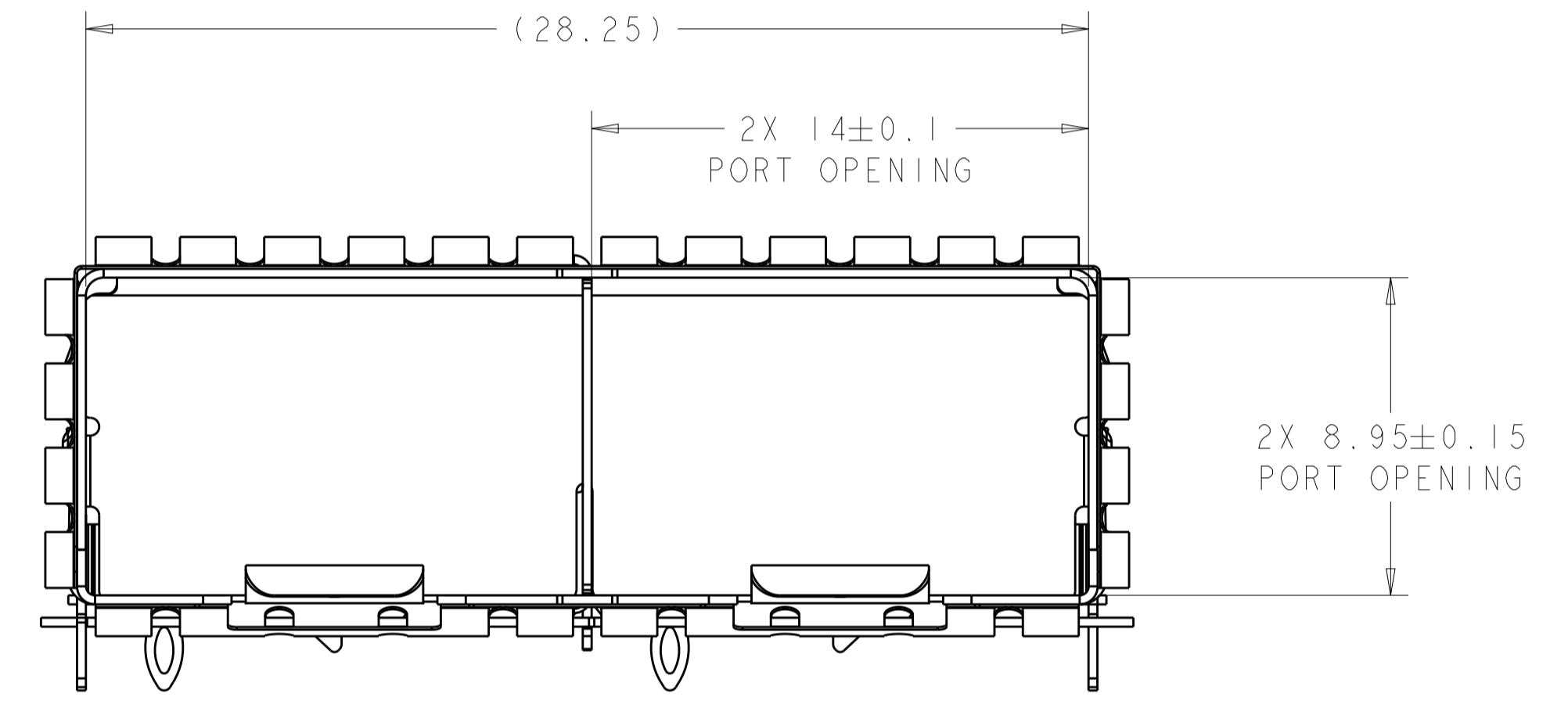
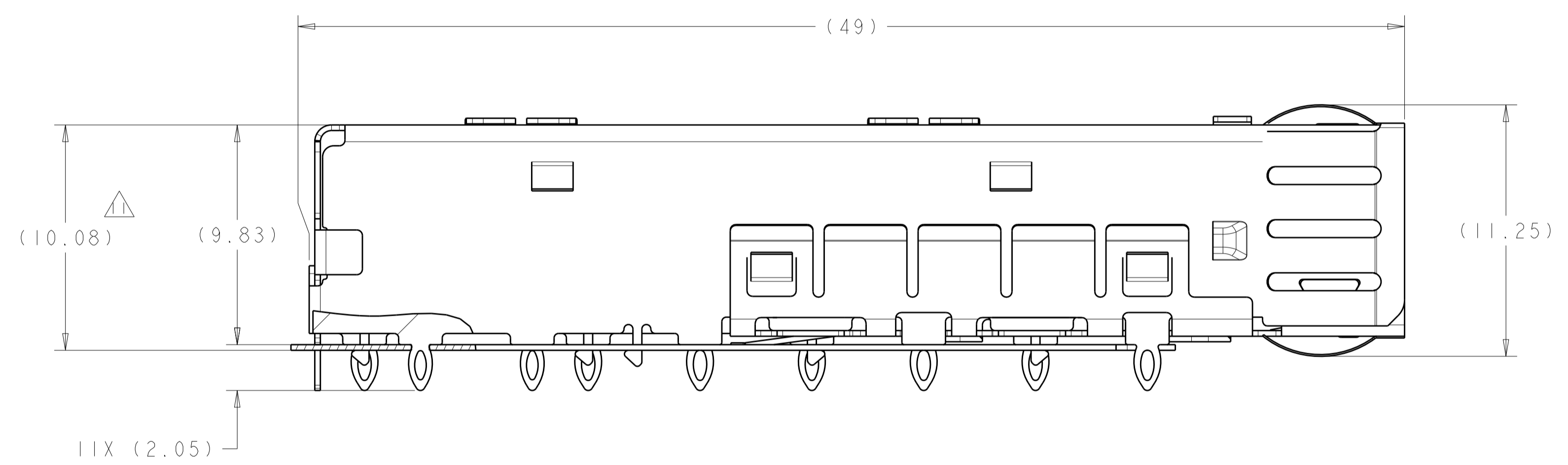


LOC	DIST	REVISIONS					
GP	00	P	LTN	DESCRIPTION	DATE	DWN	APVD
		A		REVISED PER ECO-15-002647	05MAR2015	AP	MS
		B		REVISED PER ECO-16-014593	13FEB2017	JW	SH



2227728-1



- 1. MATERIAL:
 CAGE ASSEMBLY: NICKEL SILVER ALLOY
 EMI SPRINGS: COPPER ALLOY
 PCB GASKET: RF ABSORBER
- 2. MINIMUM PC BOARD THICKNESS:
 SINGLE SIDED = 1.45mm
 BELLY TO BELLY = 2.25mm
- 3. PADS AND VIAS CHASSIS GROUND
- 4. DATUM AND BASIC DIMENSION ESTABLISHED BY CUSTOMER
- 5. MATES WITH SFP MSA COMPLIANT TRANSCEIVERS
- 6. INTERPRETATION OF DATUM REFERENCE FRAME IN ACCORDANCE WITH SECT 4.4.1.1 OF ASME Y14.5M-1994
- 7. REFERENCE APPLICATION SPEC. 114-13120, HOLE A, FOR RECOMMENDED DRILL HOLE DIAMETER AND PLATING THICKNESS
- 8. REFERENCE APPLICATION SPEC. 114-13120, HOLE B, FOR RECOMMENDED DRILL HOLE DIAMETER AND PLATING THICKNESS
- 9. HOLE PATTERN REPEATS FOR EACH PORT, SPACING BETWEEN PORTS IS 14.25mm
- 10. PRODUCT COMPLIES WITH SPECIFICATION SFF-8433, IMPROVED PLUGGABLE FORM FACTOR FOR SFP+ GANGED CAGES
- 11. CONTACT STANDOFF WILL PIERCE GASKET WHEN PROPERLY PRESSED INTO PCB.

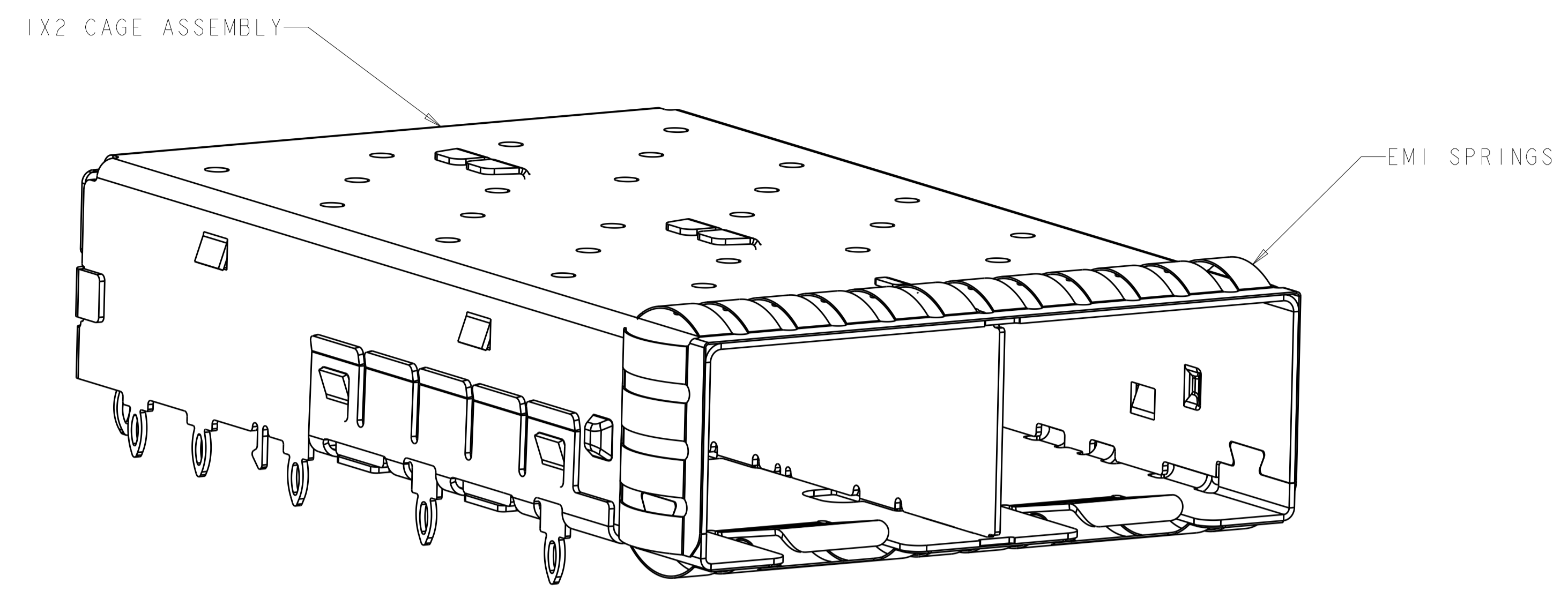
NO	2227728-3
YES	2227728-1
PCB GASKET	PART NUMBER

THIS DRAWING IS A CONTROLLED DOCUMENT.

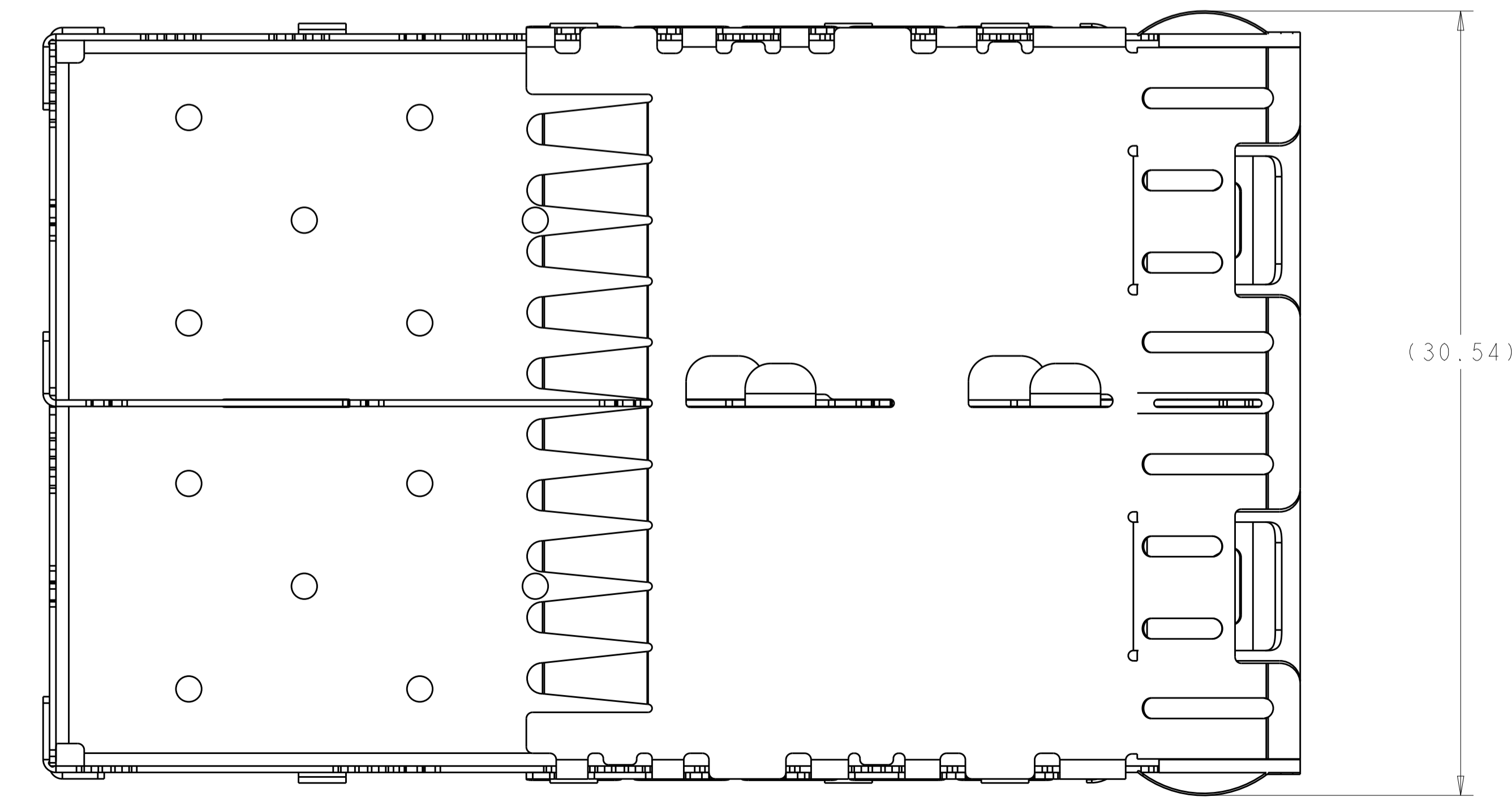
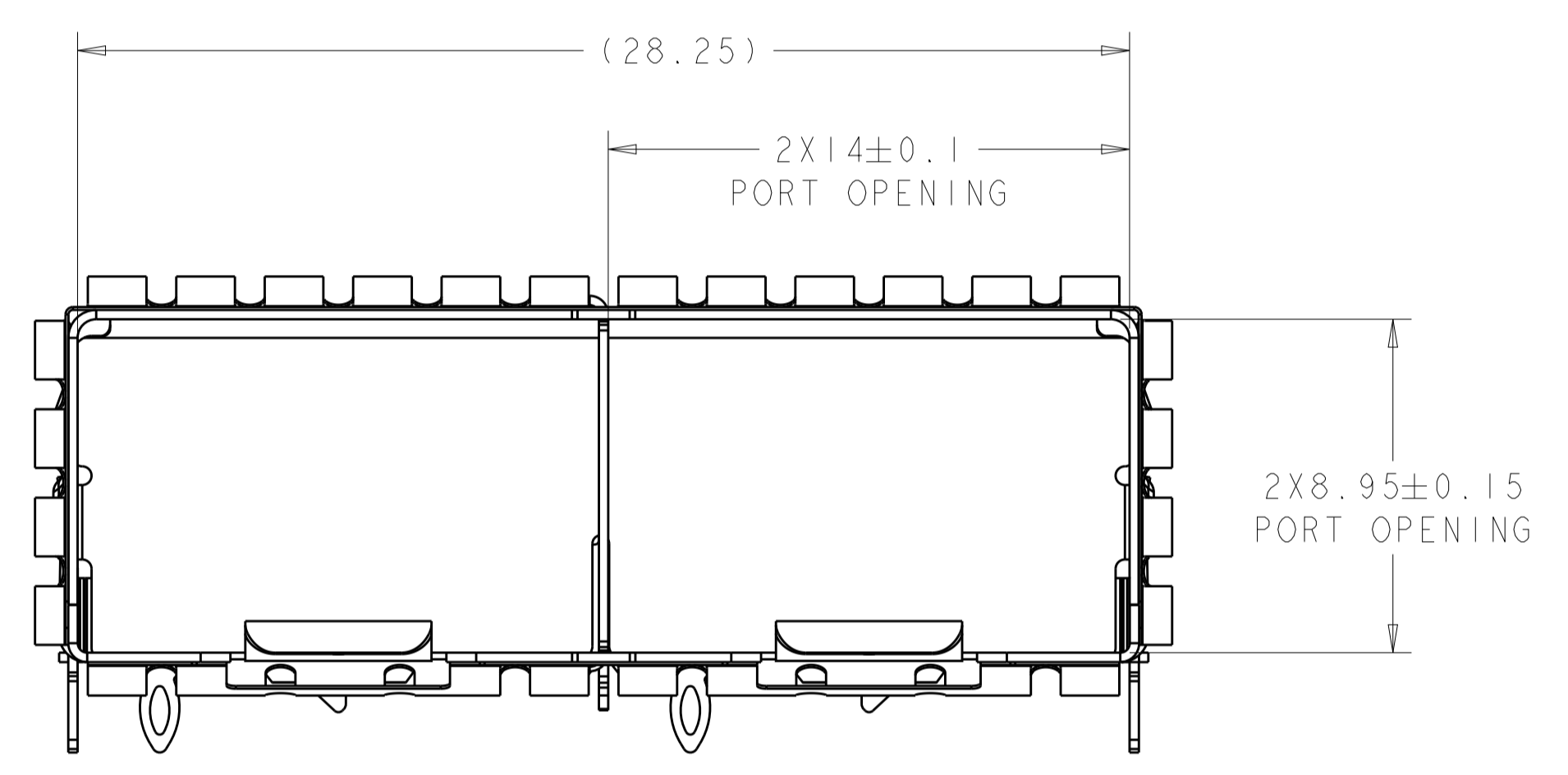
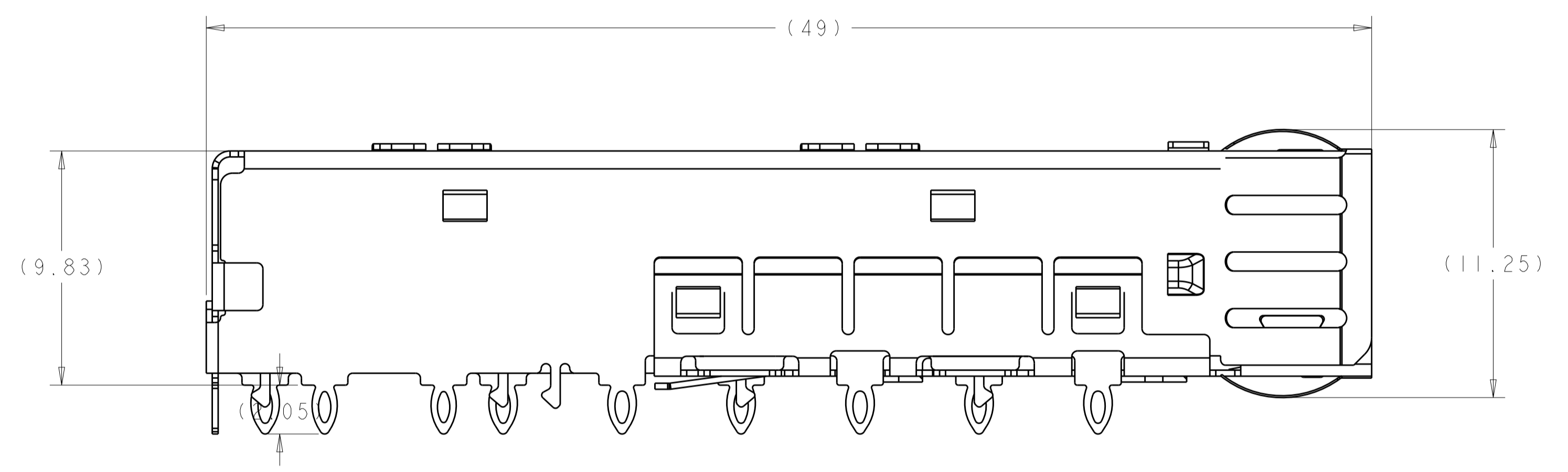
DIMENSIONS:	TOLERANCES UNLESS OTHERWISE SPECIFIED:	DWN M.E. CONNER 08FEB2013	CHK M.D. MORRISON 08FEB2013	APVD M.J. PHILLIPS 08FEB2013
mm	0 PLC ±0.25 1 PLC ±0.25 2 PLC ±0.25 3 PLC ±0.25 4 PLC ±0.25 ANGLES ±0.25	PRODUCT SPEC 108-2364	APPLICATION SPEC 114-13120	NAME CAGE ASSEMBLY WITH EMI SPRINGS, PRESS-FIT, 1X2, zSFP+
MATERIAL SEE NOTES	FINISH SEE NOTES	SIZE A1	CAGE CODE 00779	DRAWING NO. C=2227728
Customer Drawing		SCALE 6:1	SHEET 1 OF 5	REV B

4805 (3/11)

LOC	DIST	REVISIONS			
P	LTN	DESCRIPTION	DATE	DWN	APVD
GP	00	- SEE SHEET 1			

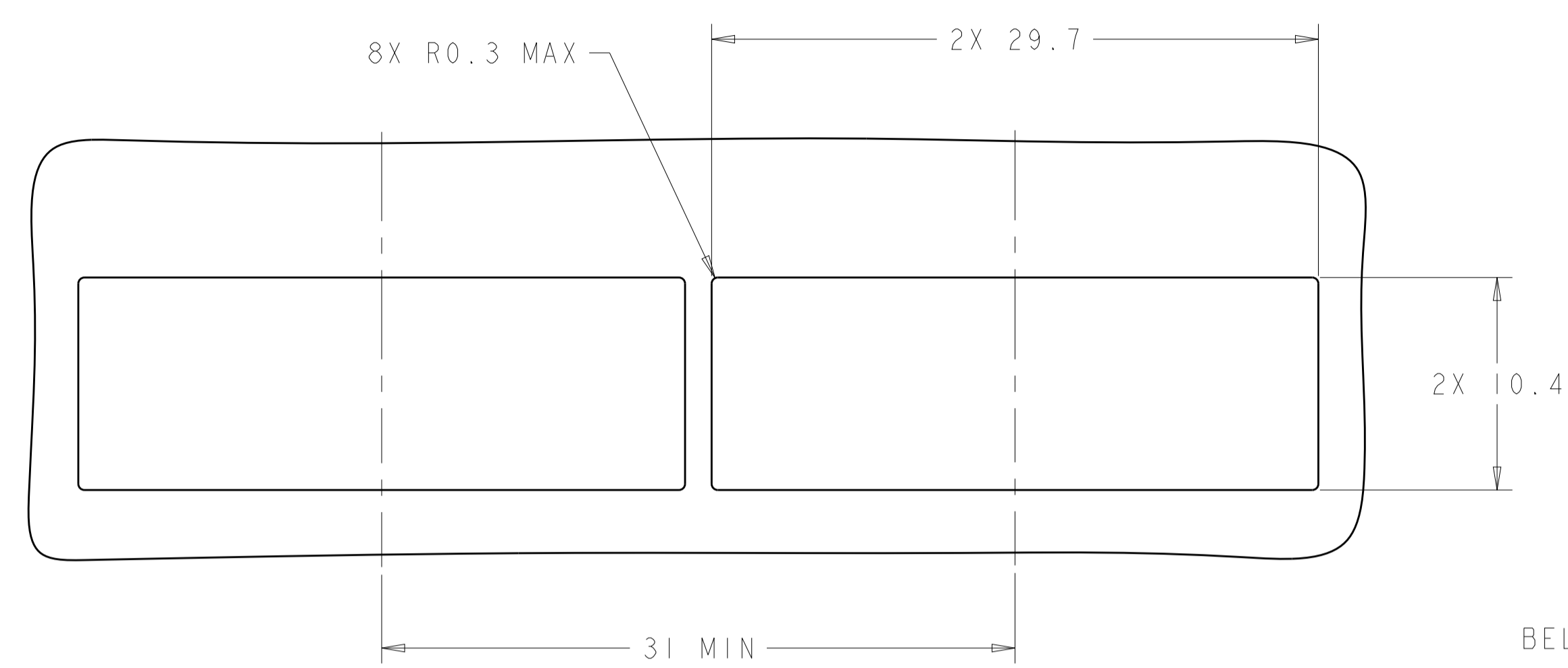


2227728-3

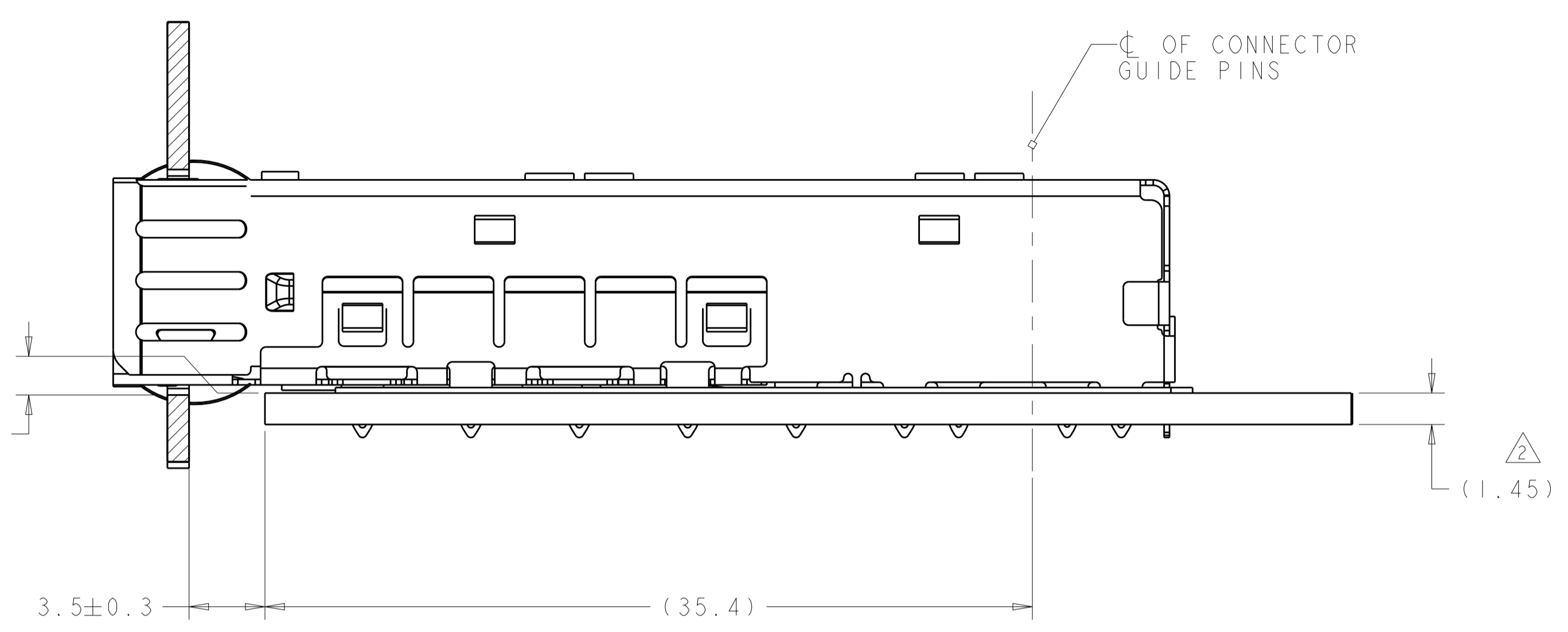


THIS DRAWING IS A CONTROLLED DOCUMENT.		DWN: M.E. CONNER 08FEB2013	
DIMENSIONS: mm		CHK: M.D. MORRISON 08FEB2013	
TOLERANCES UNLESS OTHERWISE SPECIFIED:		APVD: M.J. PHILLIPS 08FEB2013	NAME: CAGE ASSEMBLY WITH EMI SPRINGS, PRESS-FIT, 1X2, zSFP+
0 PLC ±0.25	1 PLC ±0.25	PRODUCT SPEC: 108-2364	SIZE: CAGE CODE: DRAWING NO: A100779C=2227728
2 PLC ±0.25	3 PLC ±0.25	APPLICATION SPEC: 114-13120	RESTRICTED TO: -
4 PLC ±0.25	ANGLES ±0.25	WEIGHT: -	SCALE: 6:1 SHEET 2 OF 5 REV B
MATERIAL: SEE NOTES	FINISH: SEE NOTES	Customer Drawing	

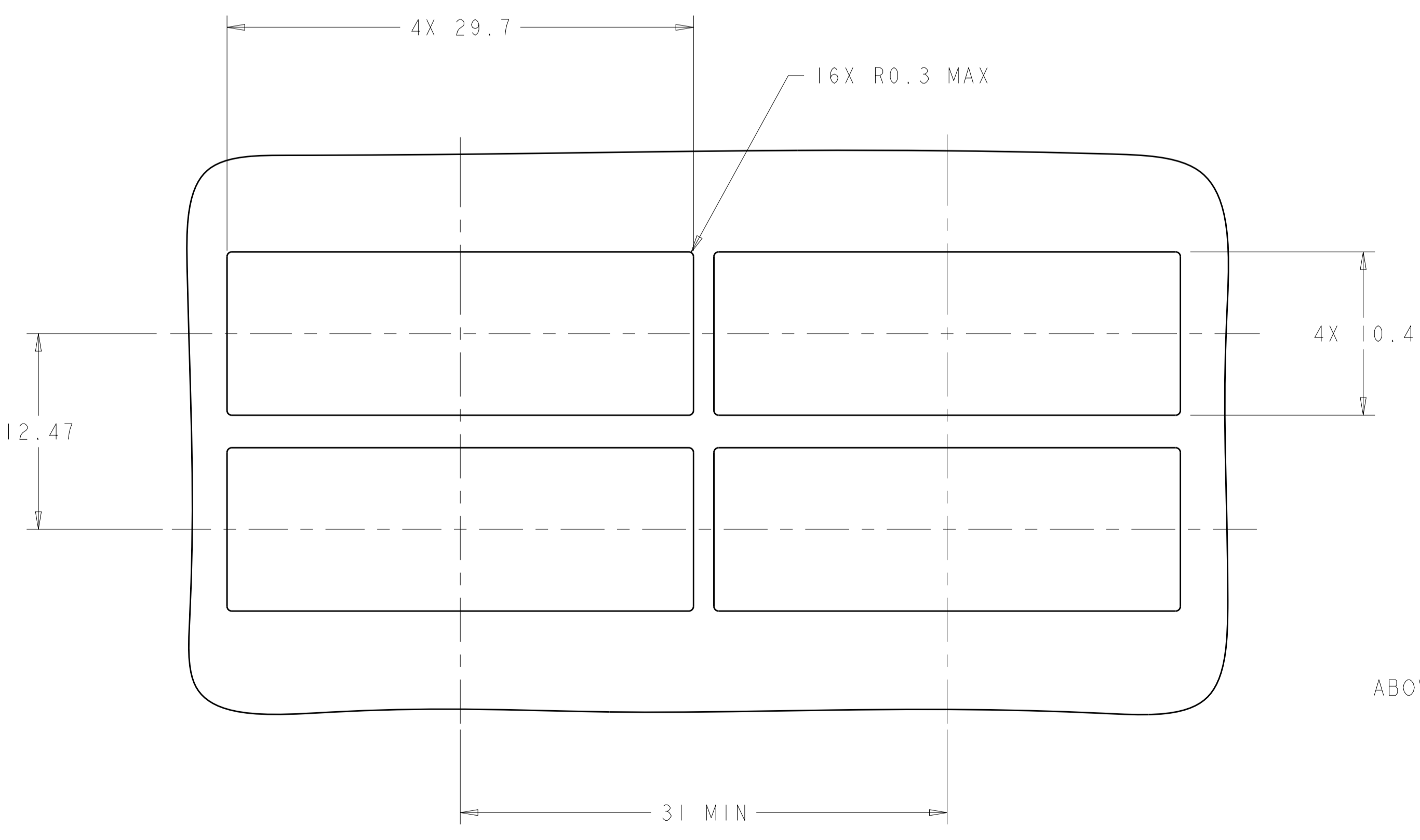
LOC		DIST		REVISIONS			
GP	00	P	LTN	DESCRIPTION	DATE	DMN	APVD
		-		SEE SHEET 1	-	-	-



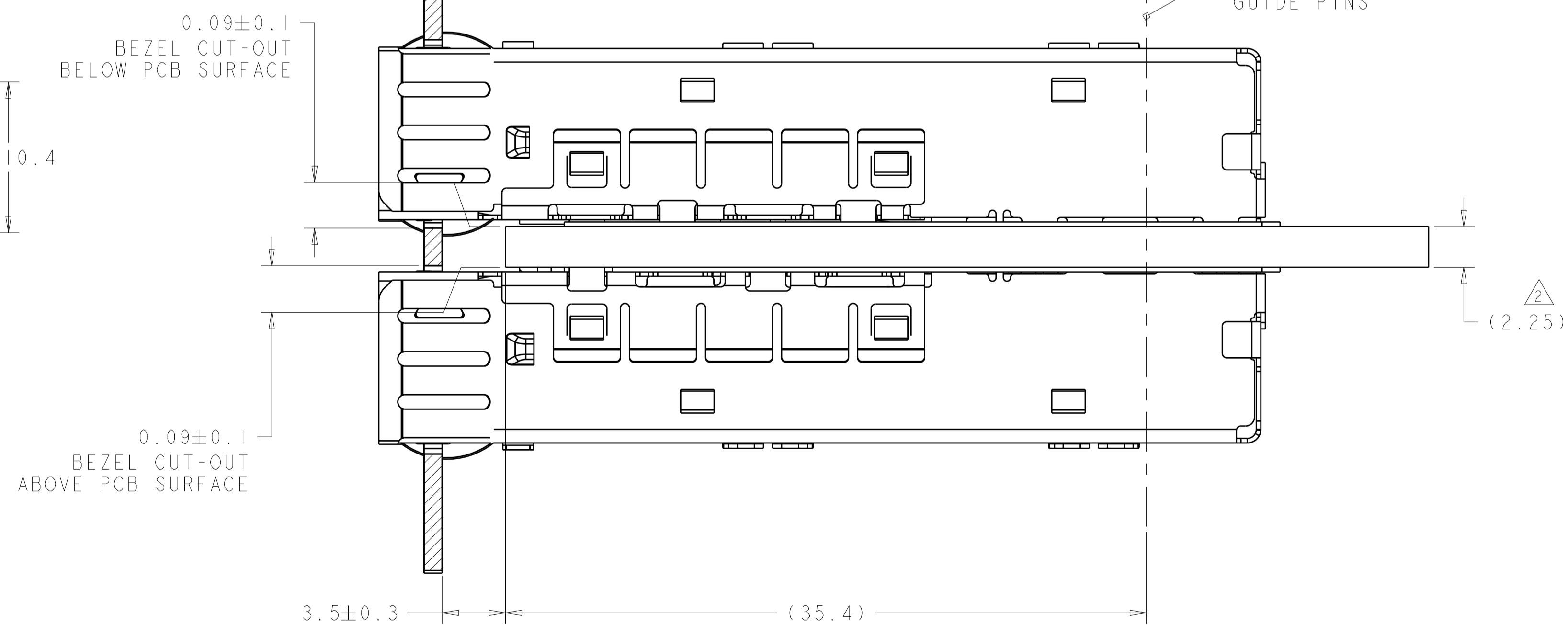
RECOMMENDED BEZEL CUT-OUT
 SINGLE SIDED APPLICATIONS
 SCALE 4:1



MOUNTED ON PC BOARD
 SHOWN THRU RECOMMENDED BEZEL
 SCALE 5:1



RECOMMENDED BEZEL CUT-OUT
 BELLY TO BELLY APPLICATIONS
 SCALE 4:1

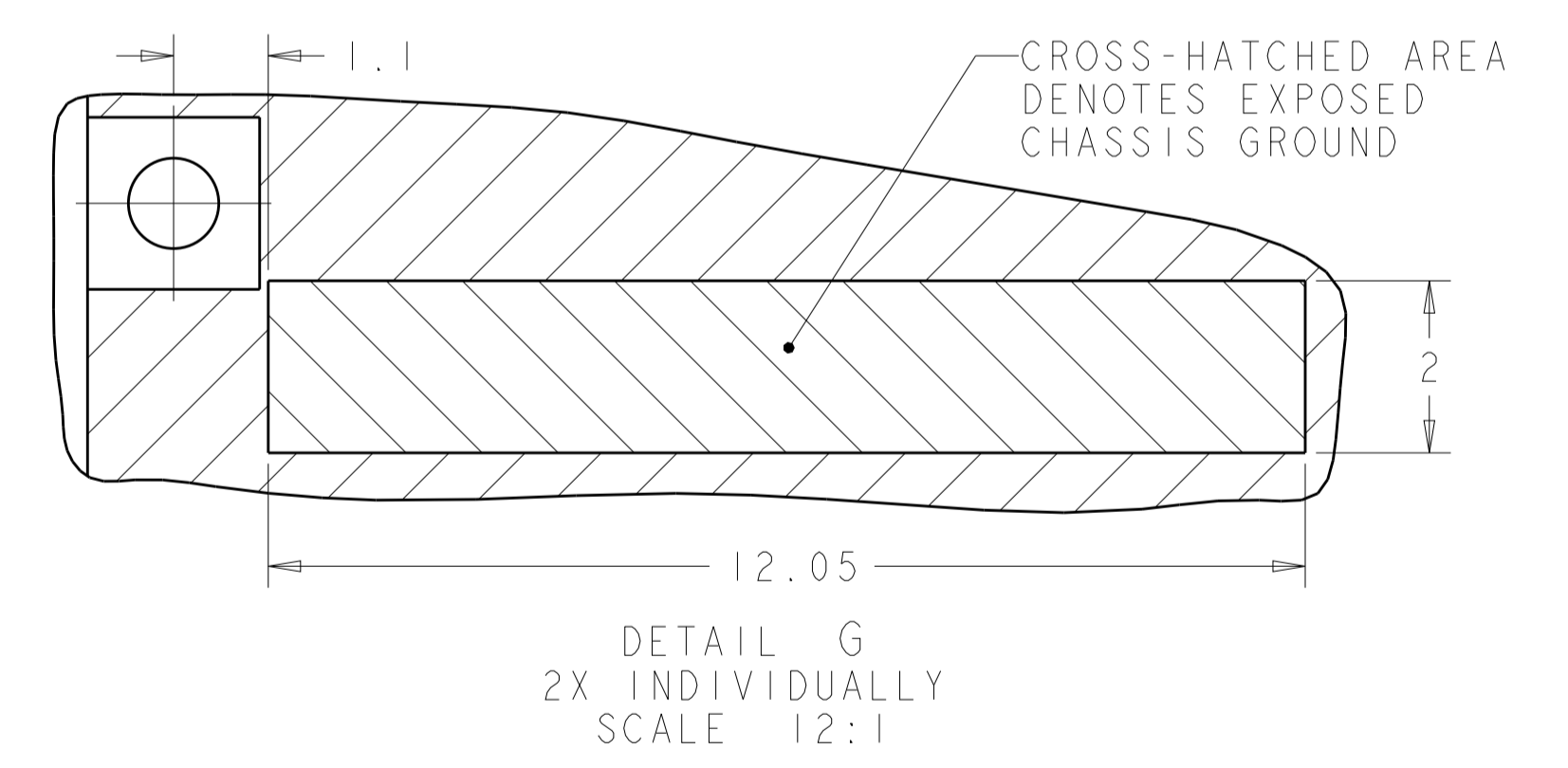
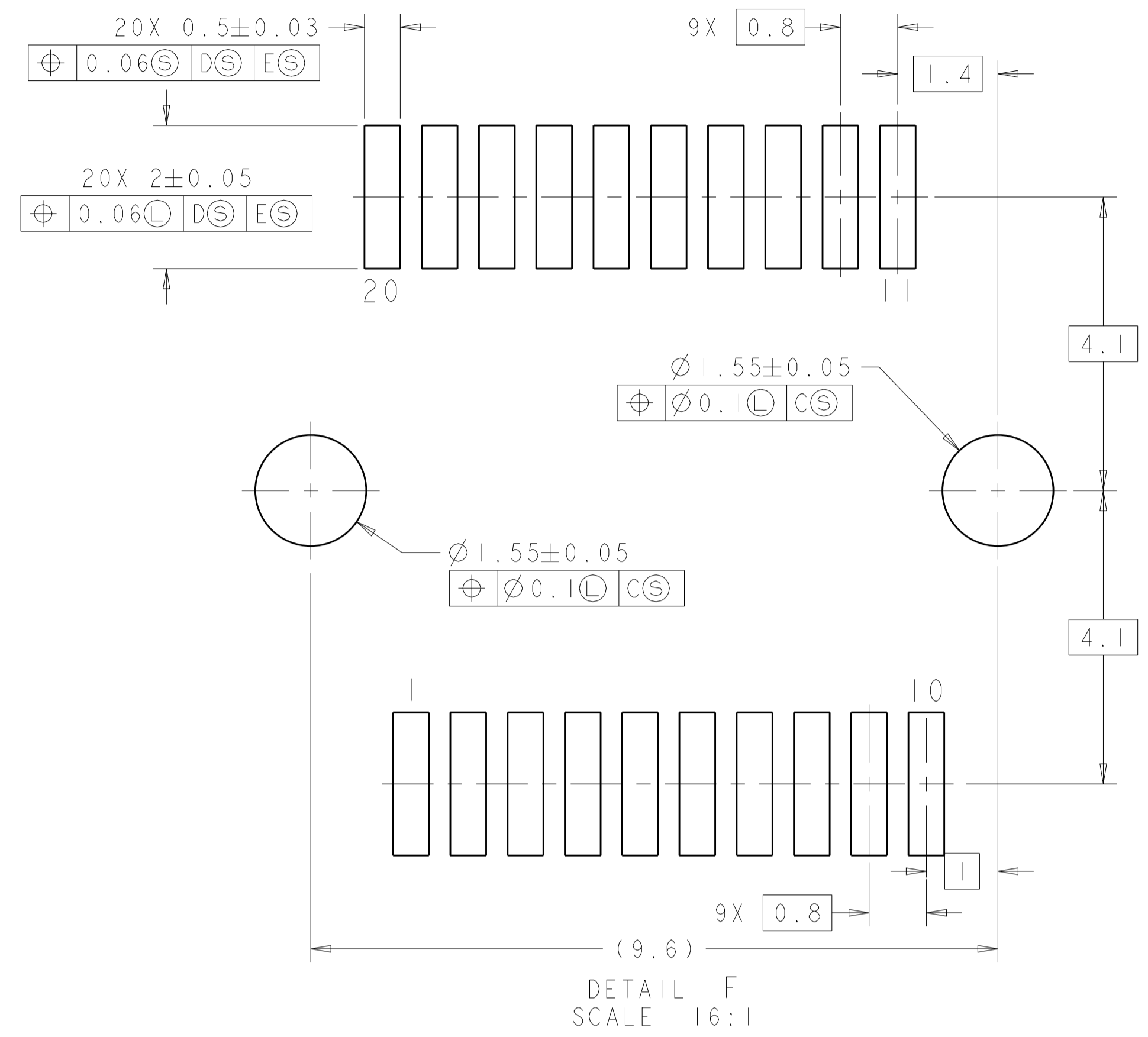
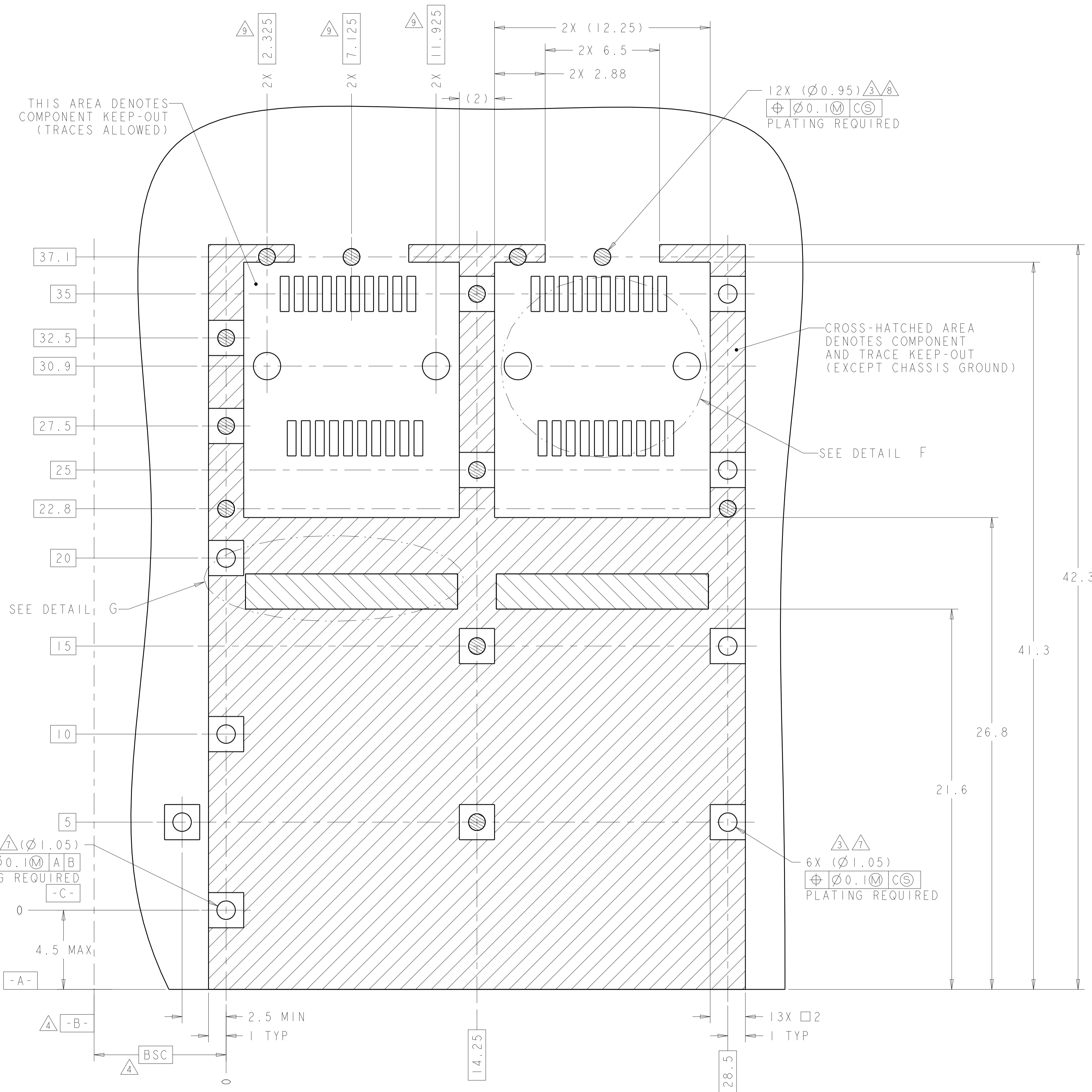


MOUNTED BELLY TO BELLY ON PC BOARD
 SHOWN THRU RECOMMENDED BEZEL
 SCALE 5:1

THIS DRAWING IS A CONTROLLED DOCUMENT.		DMN	M. E. CONNER	08FEB2013	TE Connectivity
DIMENSIONS:		CHK	M. D. MORRISON	08FEB2013	
mm		APVD	M. J. PHILLIPS	08FEB2013	
0 PLC ±0.1 1 PLC ±0.1 2 PLC ±0.08 3 PLC ±0.05 4 PLC ±0.05 ANGLES ±1°		NAME CAGE ASSEMBLY WITH EMI SPRINGS, PRESS-FIT, 1X2, zSFP+			
MATERIAL SEE NOTES		FINISH SEE NOTES		PRODUCT SPEC 108-2364	APPLICATION SPEC 114-13120
WEIGHT -		SIZE A100779		CAGE CODE C=2227728	RESTRICTED TO -
Customer Drawing		SCALE 6:1		SHEET 3 OF 5	REV B

LOC	DIST	REV	DATE	BY	APPV
GP	00				

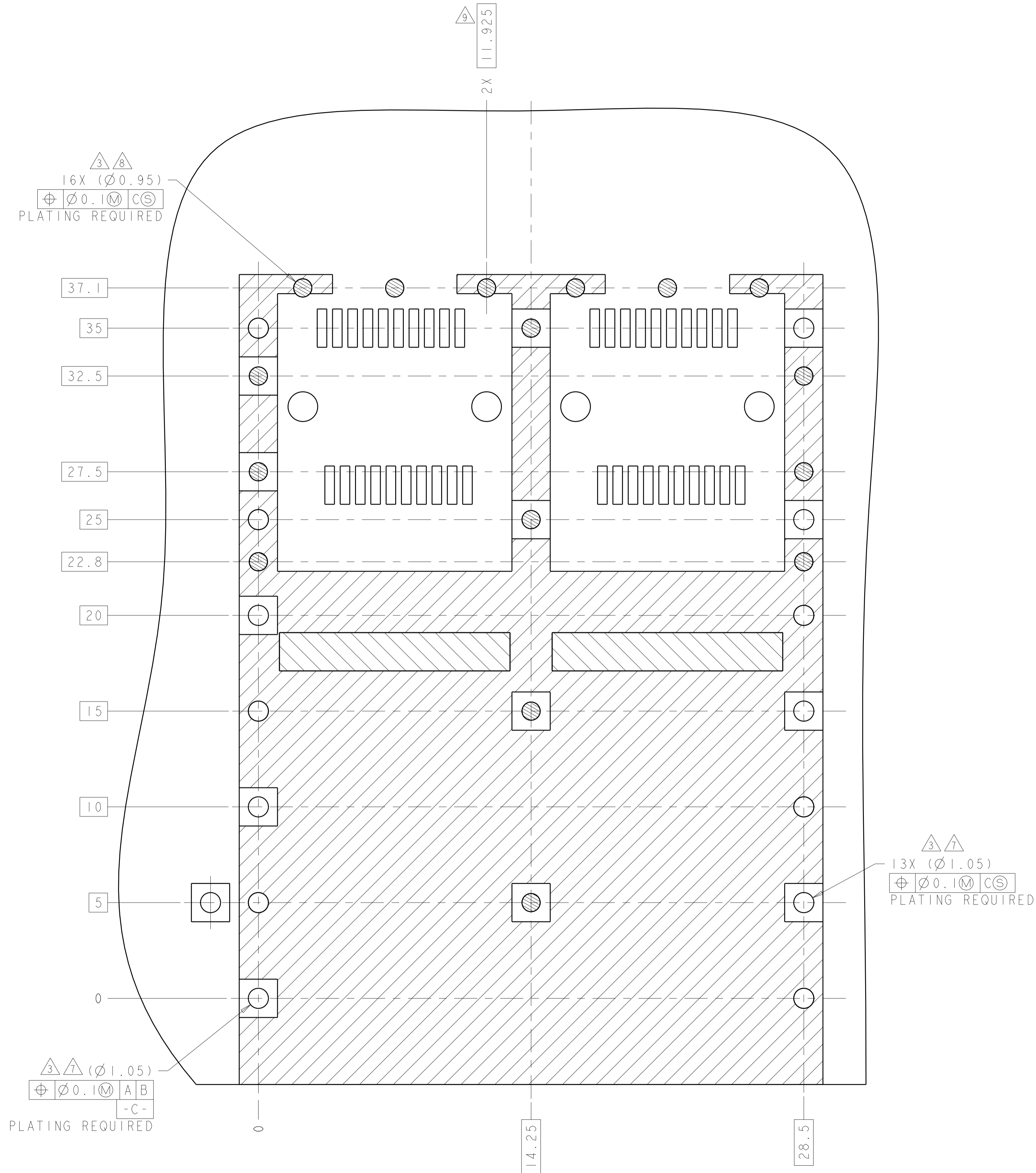
REVISIONS			
REV	DATE	BY	APPV
-	-	-	-
SEE SHEET 1			



RECOMMENDED PCB CONFIGURATION WITH KEEP-OUTS FOR SINGLE SIDE APPLICATIONS SCALE 8:1

THIS DRAWING IS A CONTROLLED DOCUMENT.		OWN: M.E. CONNER 08FEB2013	TE Connectivity
DIMENSIONS: mm		CHK: M.D. MORRISON 08FEB2013	
TOLERANCES UNLESS OTHERWISE SPECIFIED:		APVD: M.J. PHILLIPS 08FEB2013	NAME: CAGE ASSEMBLY WITH EMI SPRINGS, PRESS-FIT, 1X2, zSFP+
0 PLC ±0.1	1 PLC ±0.1	PRODUCT SPEC: 108-2364	SIZE: CAGE CODE DRAWING NO: A100779C=2227728
2 PLC ±0.08	3 PLC ±0.05	APPLICATION SPEC: 114-13120	RESTRICTED TO: -
4 PLC ±0.05	ANGLES ±1°	WEIGHT: -	SCALE: 6:1 SHEET 4 OF 5 REV B
MATERIAL: SEE NOTES	FINISH: SEE NOTES	Customer Drawing	

LOC	DIST	REVISIONS			
P	LTN	DESCRIPTION	DATE	DWN	APVD
-	-	SEE SHEET 1	-	-	-



RECOMMENDED PCB CONFIGURATION
 WITH KEEP-OUTS FOR BELLY TO BELLY APPLICATIONS
 SAME AS SINGLE SIDE APPLICATION, EXCEPT AS SHOWN
 SCALE 8:1

THIS DRAWING IS A CONTROLLED DOCUMENT.		DWN: M.E. CONNER 08FEB2013	TE Connectivity
DIMENSIONS: mm		CHK: M.D. MORRISON 08FEB2013	
TOLERANCES UNLESS OTHERWISE SPECIFIED: 0 PLC ±0.1 1 PLC ±0.1 2 PLC ±0.08 3 PLC ±0.05 4 PLC ±0.05 ANGLES ±1°		APVD: M.J. PHILLIPS 08FEB2013	NAME: CAGE ASSEMBLY WITH EMI SPRINGS, PRESS-FIT, 1X2, zSFP+
MATERIAL: SEE NOTES		PRODUCT SPEC: 108-2364	SIZE: A1
FINISH: SEE NOTES		APPLICATION SPEC: 114-13120	CAGE CODE: 00779
Customer Drawing		WEIGHT: -	DRAWING NO: 2227728
SCALE: 8:1		SHEET 5 OF 5	
REV: B		REV: B	