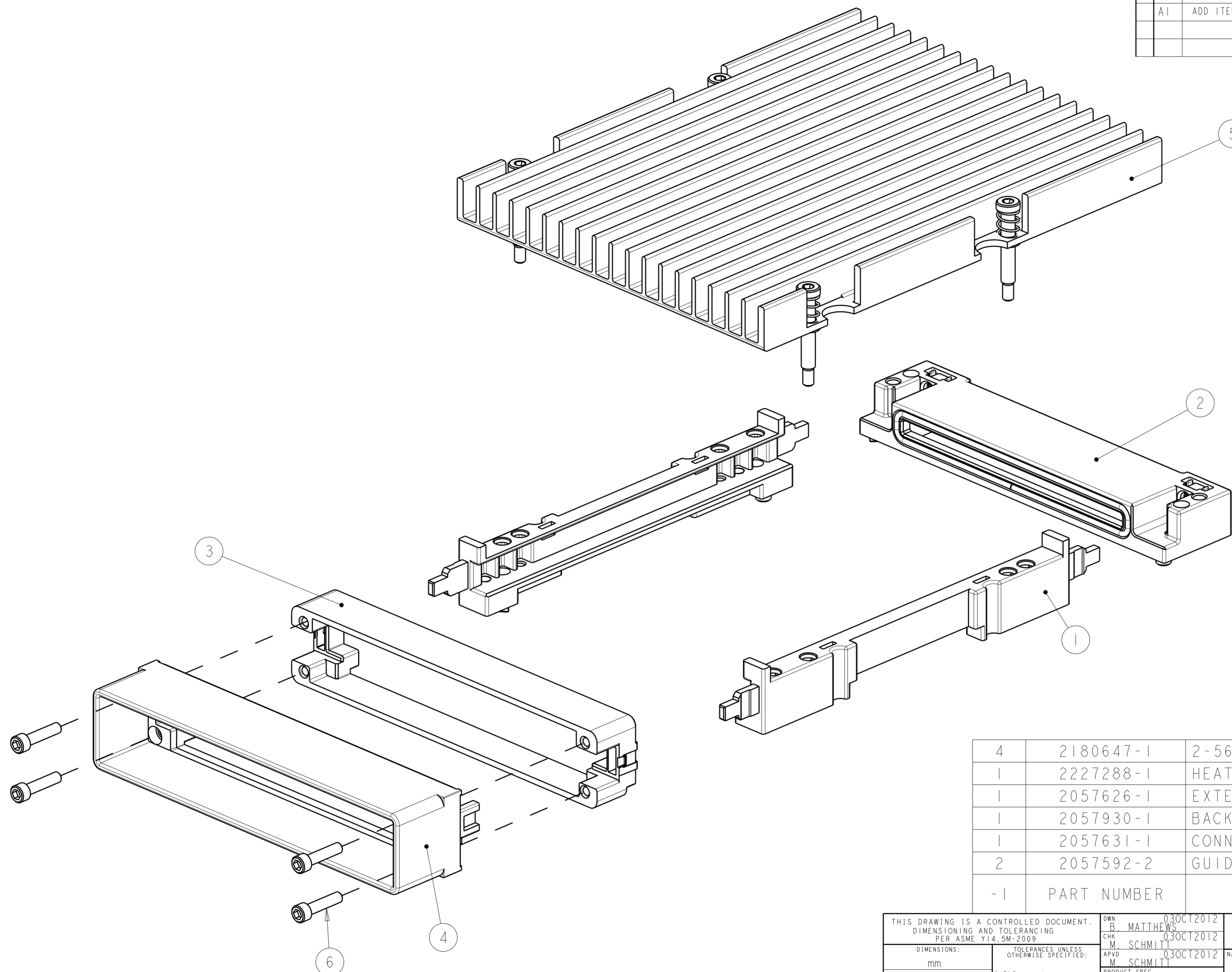


THIS DRAWING IS UNPUBLISHED. RELEASED FOR PUBLICATION 20  
 © COPYRIGHT 20 BY - ALL RIGHTS RESERVED.

LOC	DIST	REVISIONS					
GP	00	P	LTR	DESCRIPTION	DATE	DWN	APVD
		A		RELEASED PER ECO-13-005370	01APR2013	CJV	MRS
		AI		ADD ITEM 6 SCREW IN BOM	16JAN2019	IT	SH



4	2180647-1	2-56 UNC SOCKET HEAD SCREW	6
1	2227288-1	HEATSINK ASSEMBLY	5
1	2057626-1	EXTERNAL BRACKET ASSEMBLY	4
1	2057930-1	BACKER PLATE ASSEMBLY	3
1	2057631-1	CONNECTOR COVER ASSEMBLY	2
2	2057592-2	GUIDE RAIL	1
-1	PART NUMBER	DESCRIPTION	ITEM NO

THIS DRAWING IS A CONTROLLED DOCUMENT. DIMENSIONING AND TOLERANCING PER ASME Y14.5M-2009

DWN: B. MATTHEWS 03OCT2012  
 CHK: M. SCHMITT 03OCT2012  
 APVD: M. SCHMITT 03OCT2012

**STE** TE Connectivity

NAME: CFP HARDWARE KIT  
 CFP HARDWARE KIT

PRODUCT SPEC: 108-2399  
 APPLICATION SPEC: 114-13263

SIZE: A2 CAGE CODE: 00779 DRAWING NO: C-2227326 RESTRICTED TO: -

MATERIAL: - FINISH: - WEIGHT: -

Customer Drawing SCALE: 2:1 SHEET 1 OF 1 REV: AI