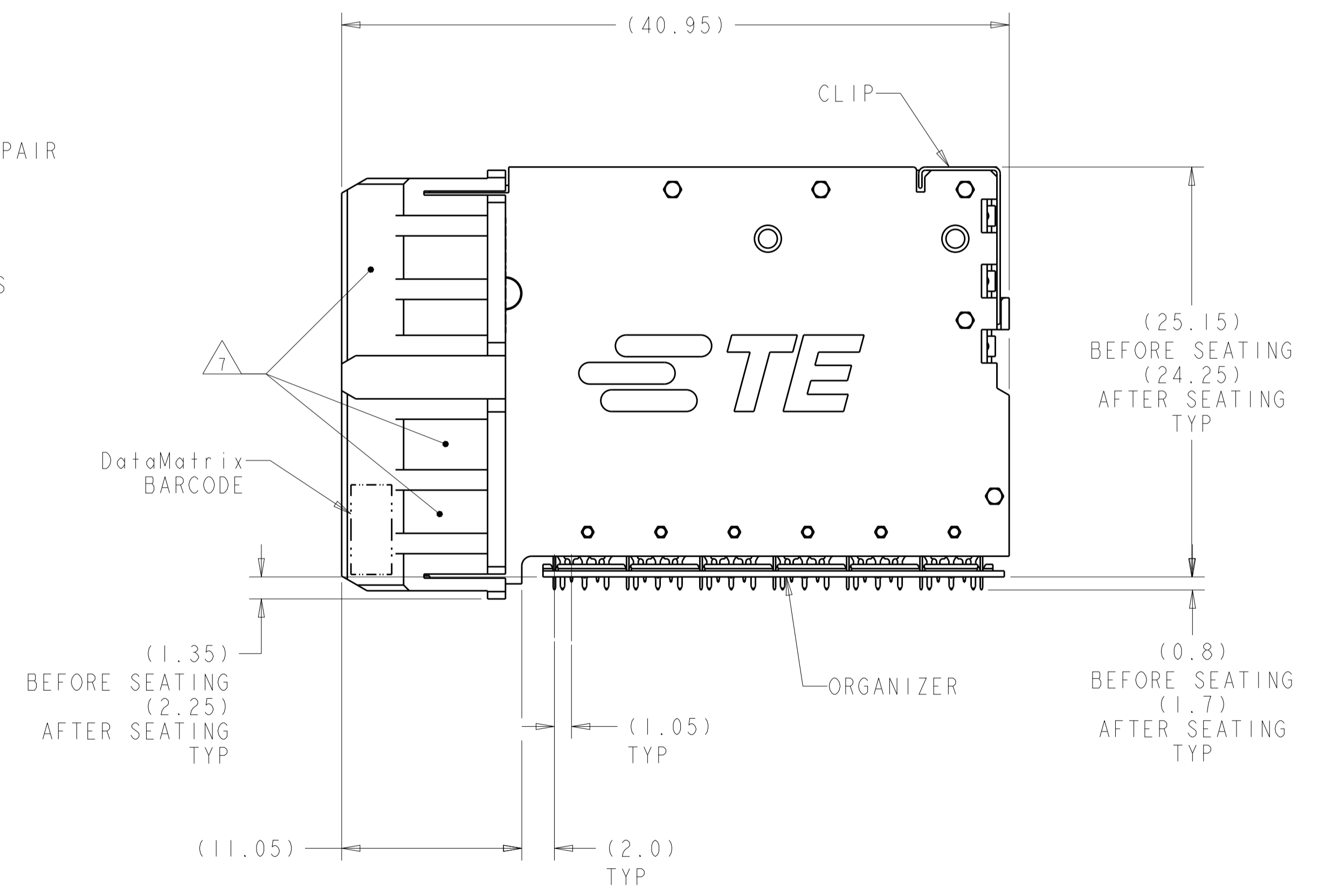
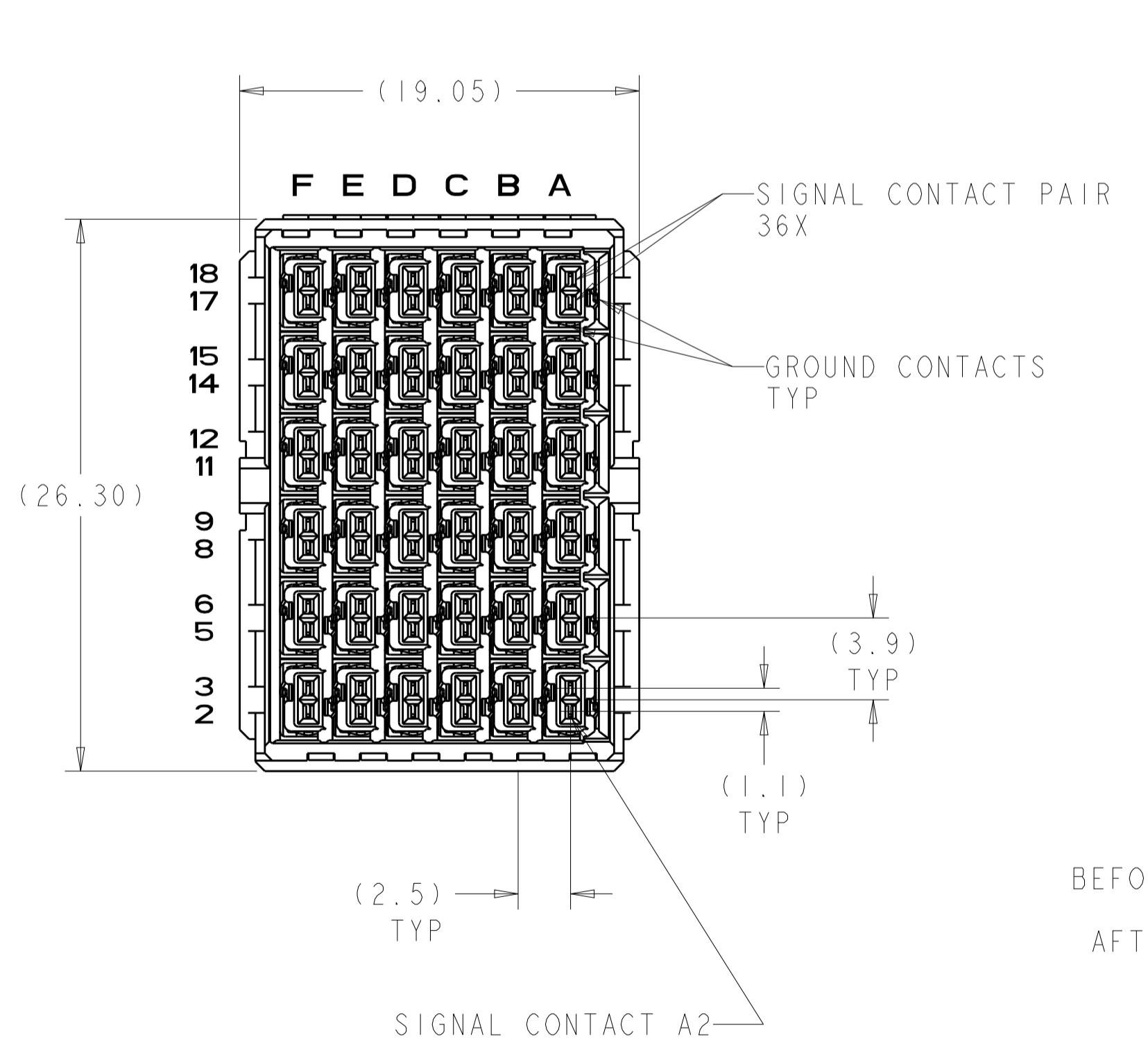
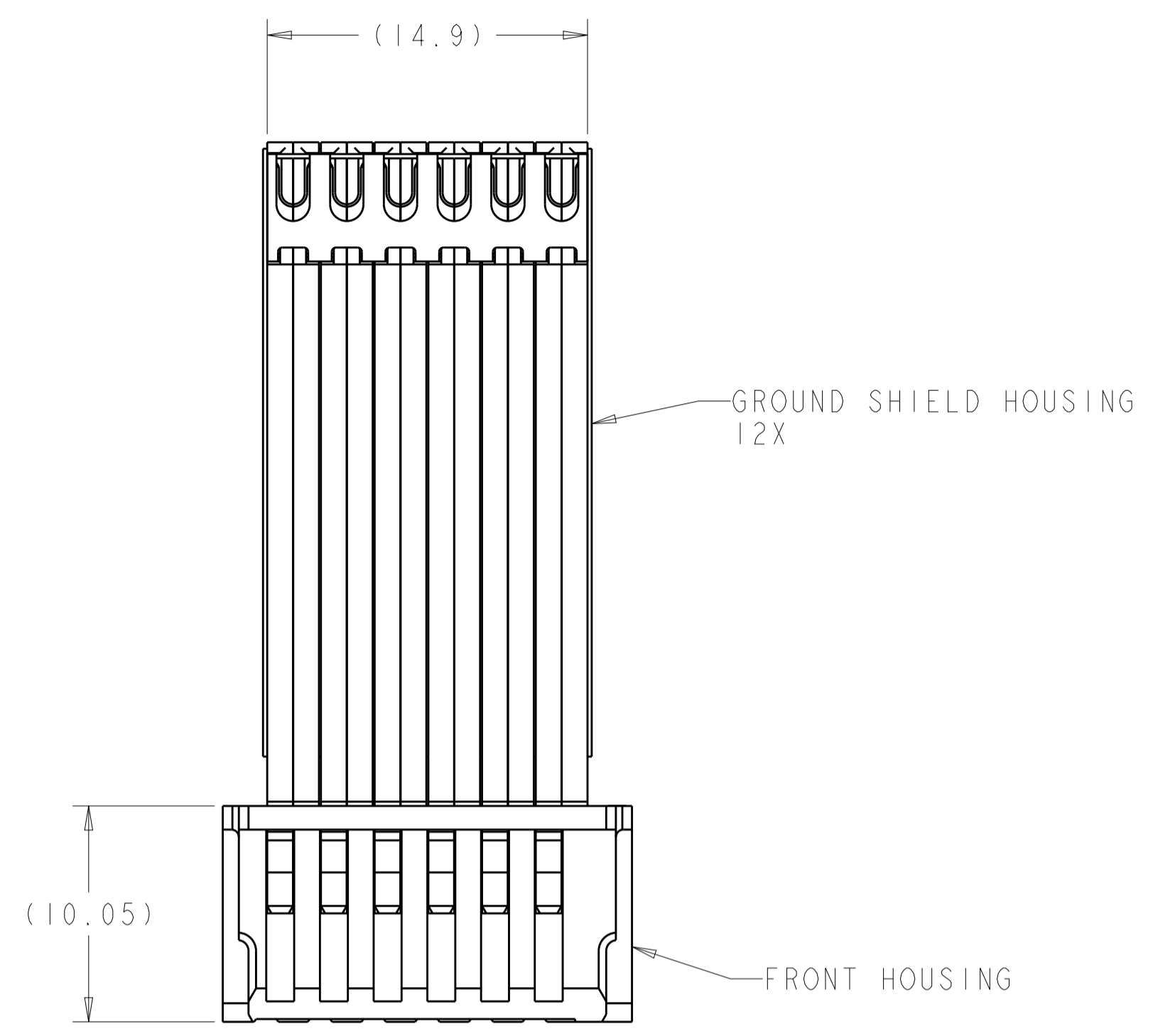


LOC	DIST	REVISIONS					
		P.	LTN	DESCRIPTION	DATE	DWN	APVD
GP	00	1		PROPOSED	28JUN2012	JM	-
		2		REVISED	15NOV2013	RT	JM
		3		REVISED	26NOV2013	RT	JM
		4		UPDATED	23DEC2014	JM	JM



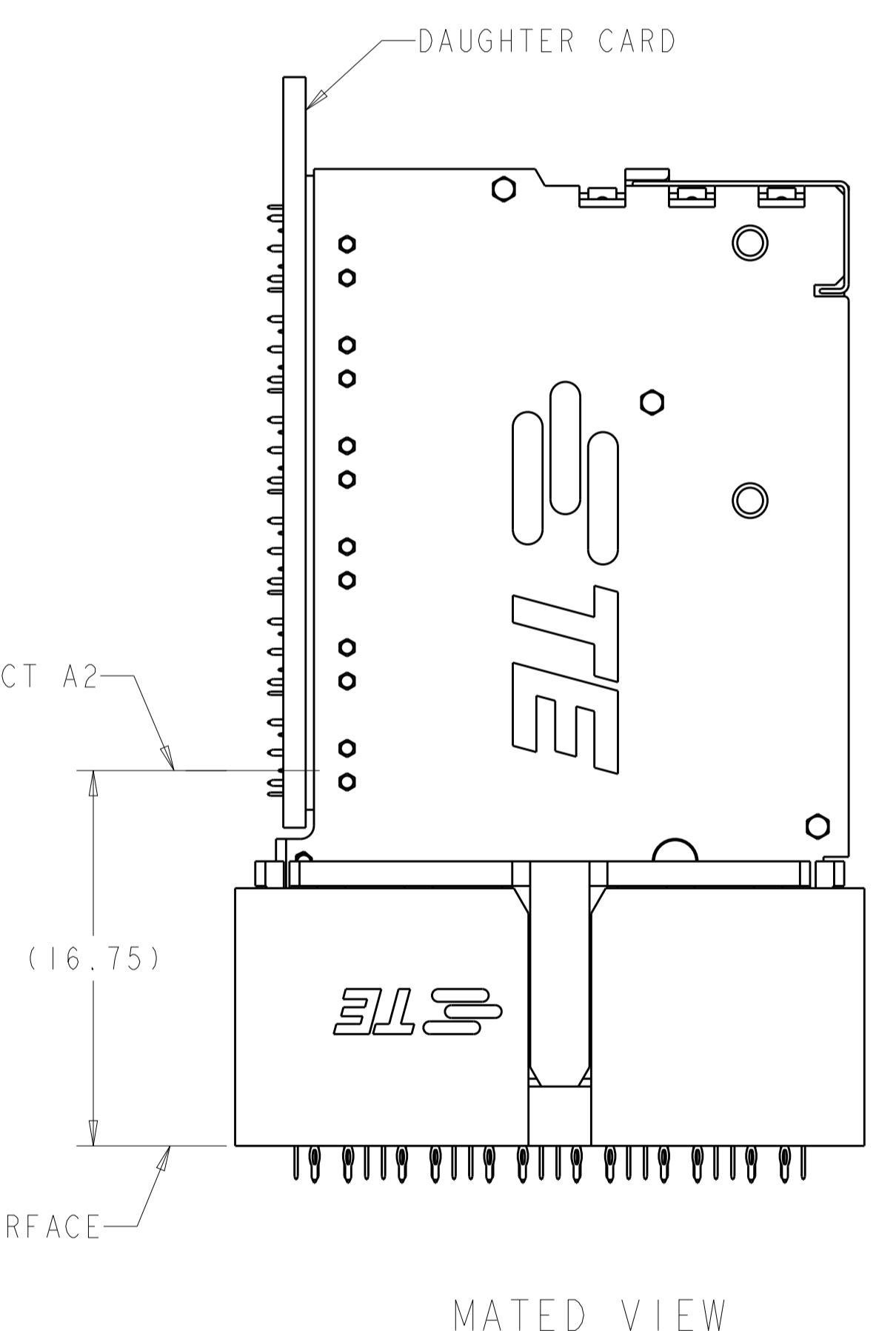
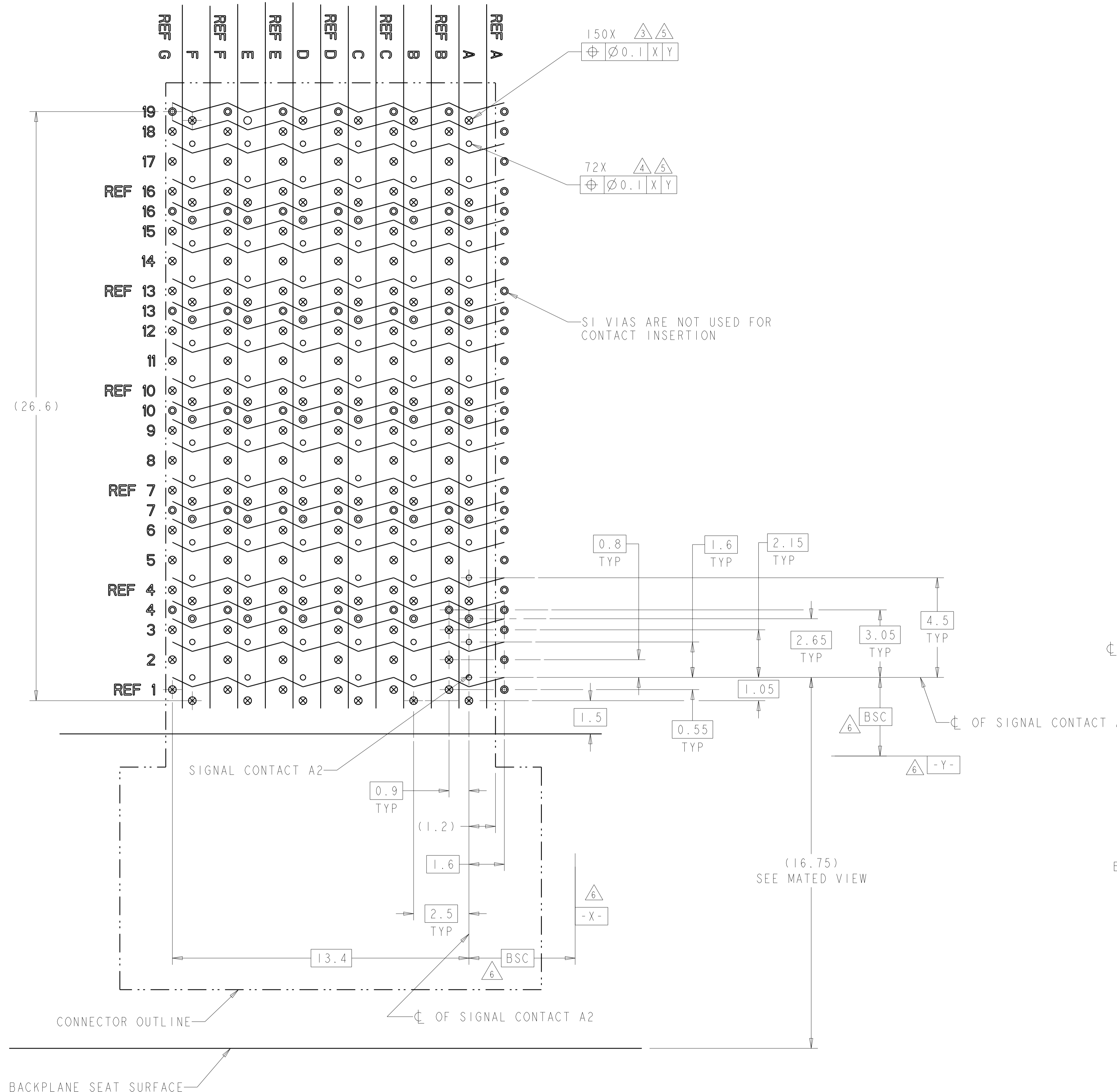
- ⚠ CONTACTS - COPPER ALLOY, CLIP - STAINLESS STEEL, HOUSINGS AND ORGANIZER - THERMOPLASTIC, UL 94V-0, BLACK.
- ⚠ CONFORMS TO REQUIREMENTS OF TE PRODUCT SPECIFICATION 108-32021, BASED ON TELCORDIA GR-1217-CORE FOR SYSTEM QUALITY LEVEL III APPLICATIONS IN CONTROLLED ENVIRONMENTS (CENTRAL OFFICE).
- ⚠ PLATED THRU HOLE REQUIREMENTS -GROUND AND SI:  
 FINISHED HOLE =  $\varnothing 0.37 \pm 0.05$   
 DRILLED HOLE =  $\varnothing 0.450 \pm 0.025$   
 COPPER THICKNESS = 0.025 MIN  
 IMMERSION TIN IF APPLICABLE = (0.00095)
- ⚠ PLATED THRU HOLE REQUIREMENTS -SIGNAL:  
 FINISHED HOLE =  $\varnothing 0.24 \pm 0.04$   
 DRILLED HOLE =  $\varnothing 0.320 \pm 0.025$   
 COPPER THICKNESS = 0.025 MIN  
 IMMERSION TIN IF APPLICABLE = (0.00095)
- ⚠ SIGNAL HOLES:  
 PLATED THRU HOLE DIMENSIONS APPLY TO 1.00 FROM MOUNT SIDE OF PCB THICKNESS FROM THE CONNECTOR MOUNTING SIDE.  
 GROUND HOLES:  
 PLATED THRU HOLE DIMENSIONS APPLY TO 1.25 FROM MOUNT SIDE OF PCB THICKNESS FROM THE CONNECTOR MOUNTING SIDE.
- ⚠ DATUMS AND BASIC DIMENSIONS ESTABLISHED BY CUSTOMER.
- ⚠ CONNECTOR MARKED ON EITHER SIDE OF HOUSING WITH PART NUMBER, DATE CODE, AND "100 OHM" IN APPROXIMATE AREA SHOWN.

2227090-1  
 PART NO

**THIS PRODUCT HAS NOT COMPLETED VALIDATION TESTING**

THIS DRAWING IS A CONTROLLED DOCUMENT.		DWN J. McCLINION 28JUN2012		RECEPTACLE ASSEMBLY, RIGHT ANGLE, 6 PAIR 6 COLUMN, 100 OHM PiC, STRADA WHISPER		
DIMENSIONS: mm		CHK J. McCLELLAN 28JUN2012		PRODUCT SPEC	SIZE	RESTRICTED TO
TOLERANCES UNLESS OTHERWISE SPECIFIED:		APVD J. McCLELLAN 28JUN2012		APPLICATION SPEC	SCALE	SHEET
0 PLC ±		114-32029		WEIGHT	4:1	1 of 2
1 PLC ±0.20		Customer Drawing	Customer Drawing	REV	4	
2 PLC ±						
3 PLC ±						
4 PLC ±						
ANGLES						
FINISH SEE TABLE						

LOC	DIST	REV	DATE	BY	APPV
GP	00				
REVISIONS			DESCRIPTION	DATE	BY
			SEE SHEET 1		



- = SIGNAL
- ⊗ = GROUND
- ⊙ = SIGNAL INTEGRITY VIA TO GROUND

PCB LAYOUT  
 COMPONENT SIDE SHOWN  
 SCALE 10:1

**THIS PRODUCT  
 HAS NOT COMPLETED  
 VALIDATION TESTING**

THIS DRAWING IS A CONTROLLED DOCUMENT.		OWN J. McCLINTON 28JUN2012	TE Connectivity
DIMENSIONS: mm		CHK J. McCLELLAN 28JUN2012	
TOLERANCES UNLESS OTHERWISE SPECIFIED:		APPV J. McCLELLAN 28JUN2012	NAME RECEPTACLE ASSEMBLY, RIGHT ANGLE, 6 PAIR 6 COLUMN, 100 OHM P/C, STRADA WHISPER
0 PLC ±	1 PLC ±0.20	PRODUCT SPEC	SIZE A1
2 PLC ±	3 PLC ±	APPLICATION SPEC	CAGE CODE DRAWING NO. 00779 C=2227090
4 PLC ±	ANGLES ±	WEIGHT	RESTRICTED TO
MATERIAL	FINISH	Customer Drawing	SCALE 4:1 SHEET 2 OF 2 REV 4