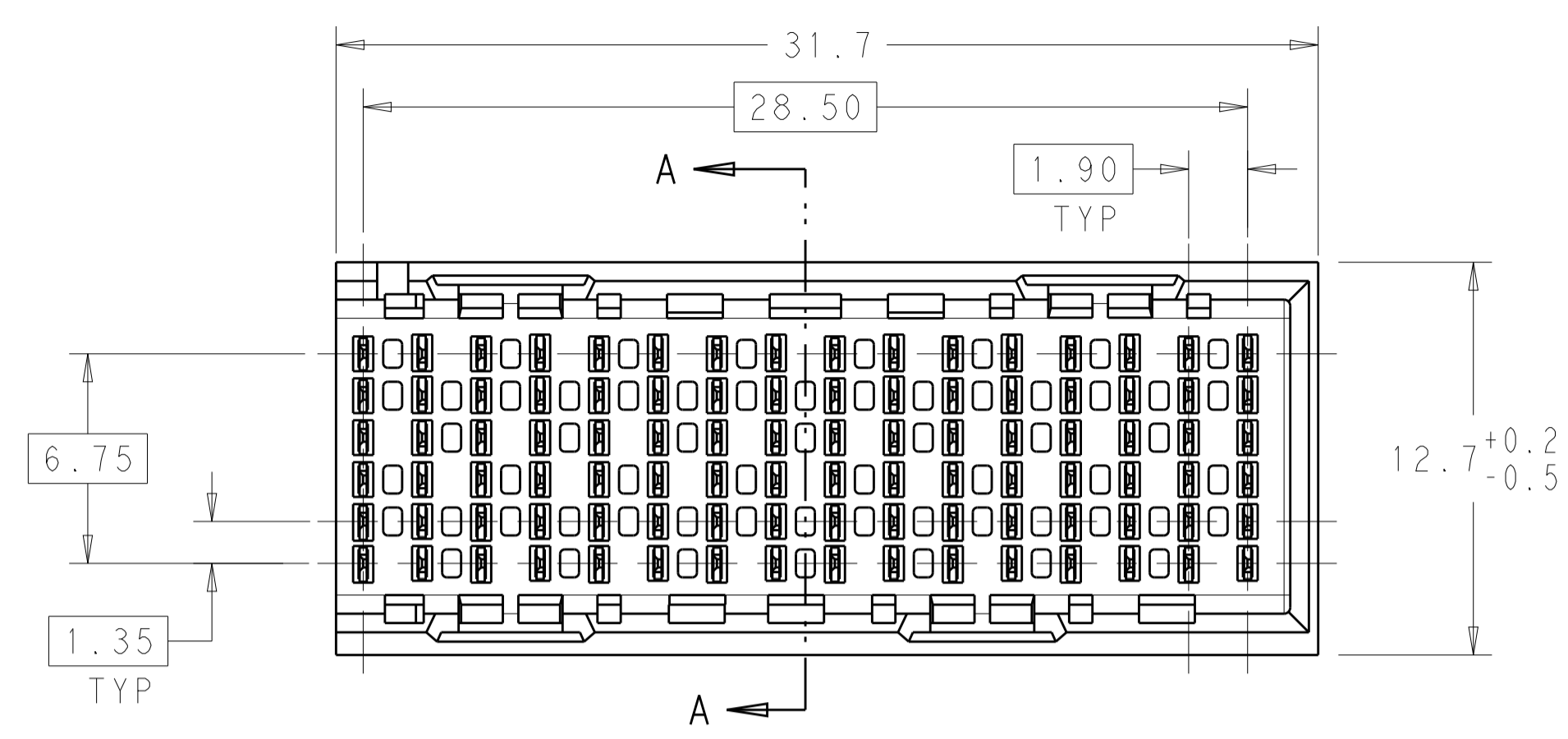
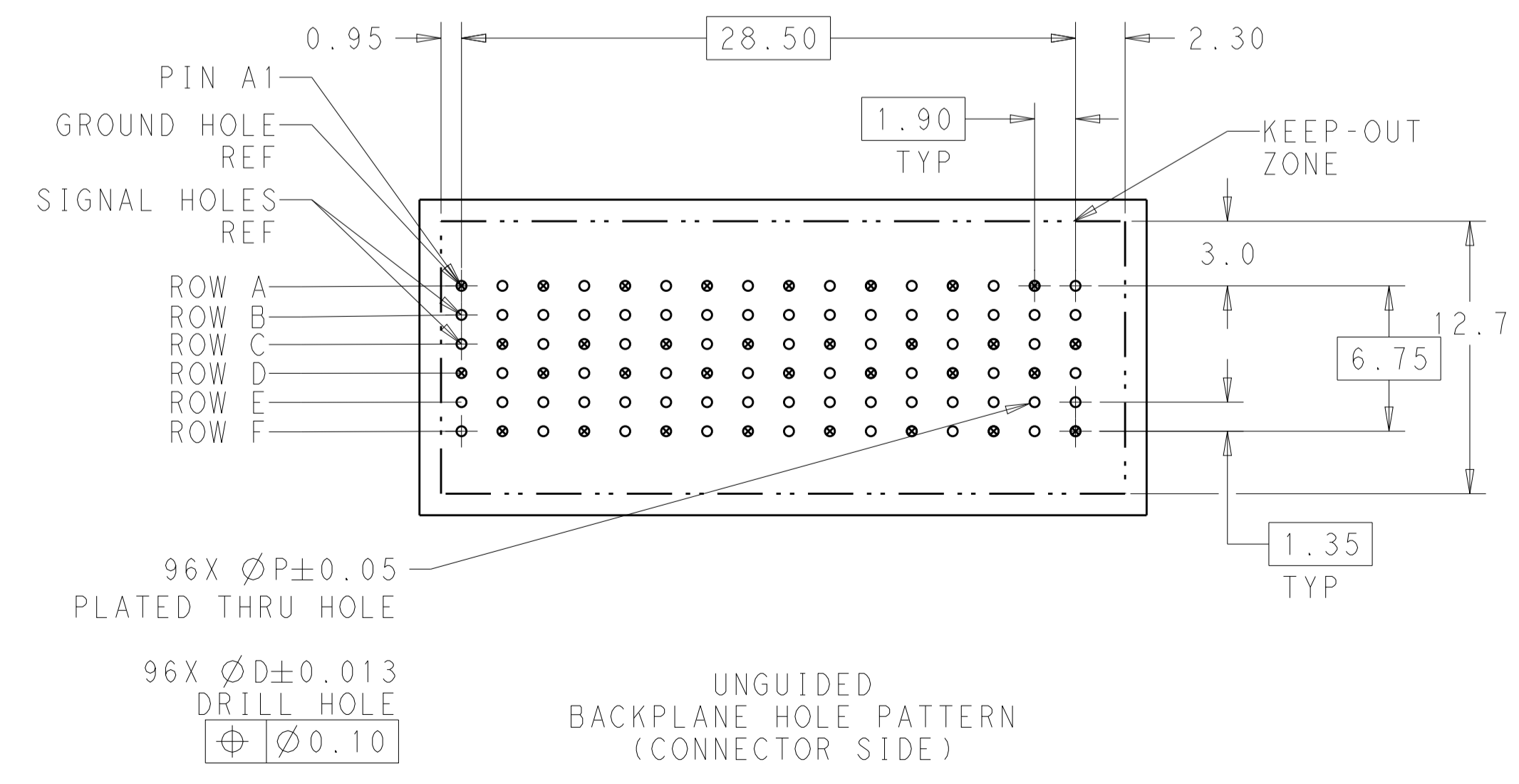
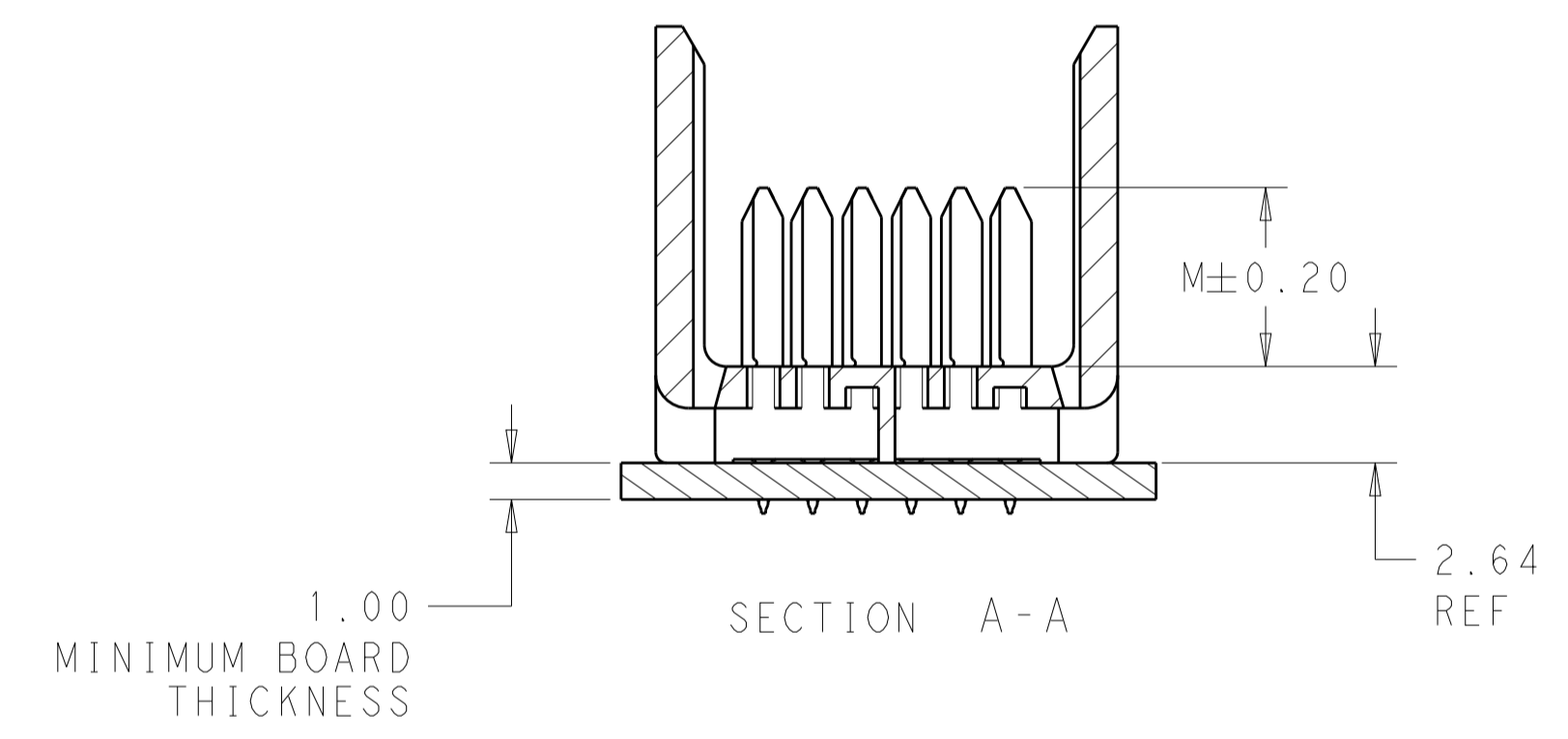
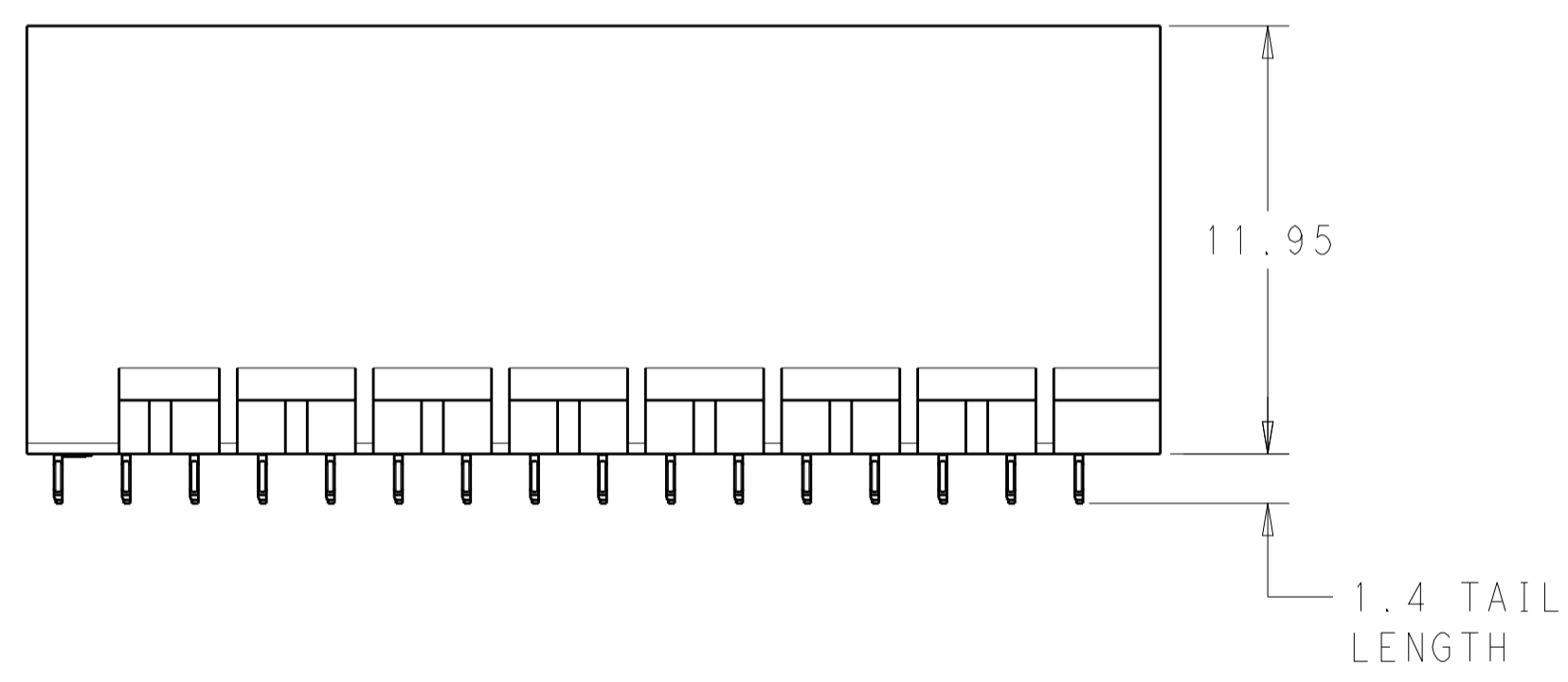
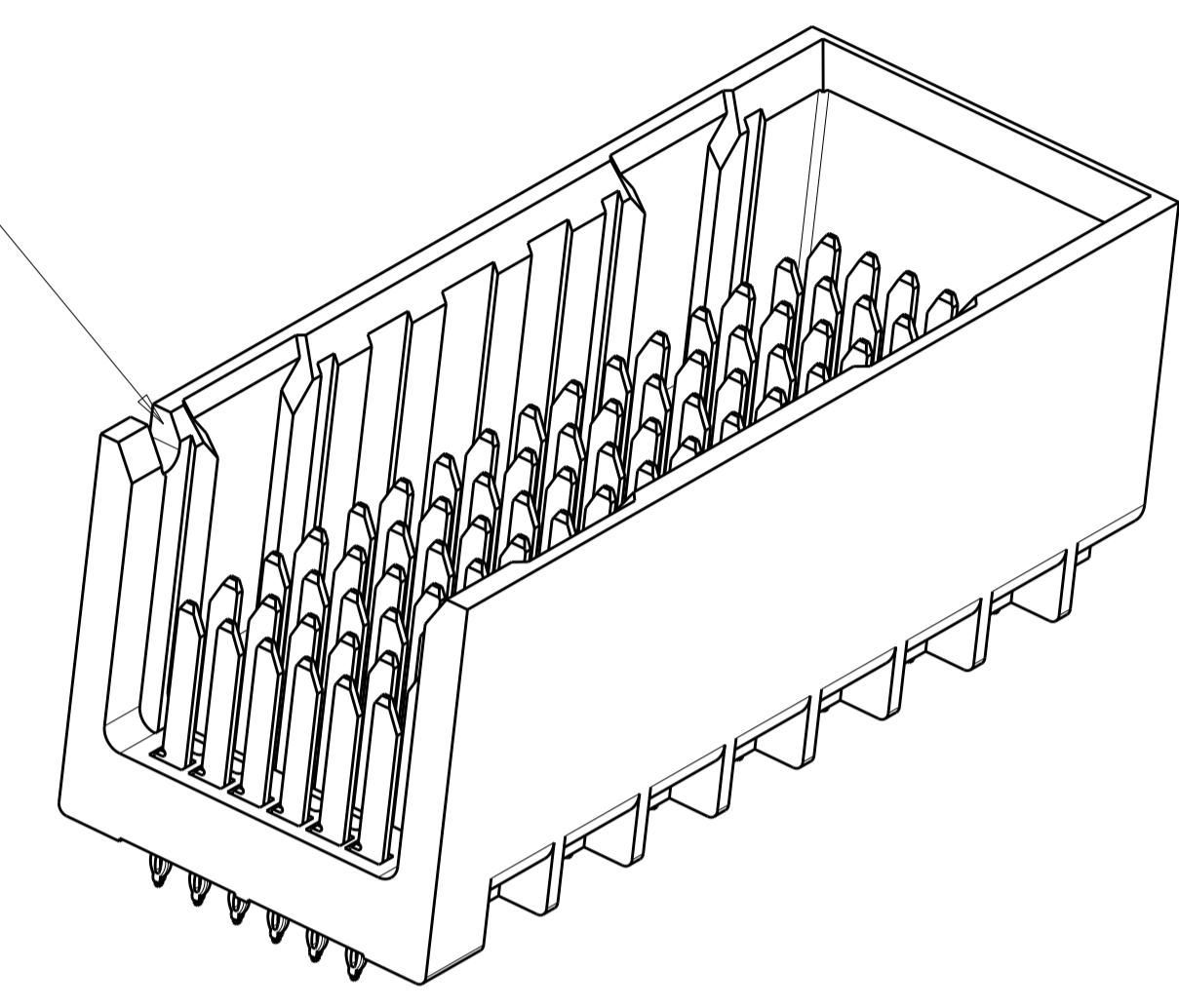


LOC		DIST		REVISIONS			
AD	00	P	LTN	DESCRIPTION	DATE	DWN	APVD
		A1		REVISED PER ECO-15-004792	31MAR2015	AP	DD



NOTCH DESIGNATES ROW A



THIS DRAWING IS A CONTROLLED DOCUMENT.		DWN	AJITH PAI	16MAY2014	TE Connectivity NAME: IMPACT 85 OHM, STANDARD 2 PAIR PLUS, 16 COLUMN HEADER, UNGUIDED, RIGHT ENDWALL, SIGNAL MODULE PRODUCT SPEC APPLICATION SPEC SIZE: CAGE CODE DRAWING NO: A100779C=2227084 WEIGHT: - CUSTOMER DRAWING
DIMENSIONS:		CHK	D. DIXON	16MAY2014	
mm		APVD	D. DIXON	16MAY2014	
TOLERANCES UNLESS OTHERWISE SPECIFIED: 0 PLC ± 1 PLC ±0.25 2 PLC ±0.13 3 PLC ± 4 PLC ± ANGLES ±		FINISH		SEE TABLE	
MATERIAL		SCALE		5:1	SHEET 1 OF 2


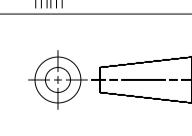
THIS DRAWING IS UNPUBLISHED. RELEASED FOR PUBLICATION 20
 © COPYRIGHT 20 BY - ALL RIGHTS RESERVED.

LOC	DIST	REVISIONS					
		P	LTN	DESCRIPTION	DATE	DMN	APVD
AD	00	-	-	SEE SHEET 1	-	-	-

- 1 MATERIAL:
HOUSING: LCP, GLASS FILLED, UL94V-0.
TERMINALS: HIGH PERFORMANCE COPPER ALLOY.
- 2 FINISH:
30μ" MIN GOLD IN CONTACT AREA. SELECTIVE TIN
ON PCB TAILS, NICKEL OVERALL.
- 3. SCREWS PACKAGED IN END OF PACKAGING TUBE.
- 4 FOR GROUNDED GUIDE PIN USE Ø3.56±0.08 PTH,
Ø3.66 DRILL, AND Ø6.5 PAD.
- 5. KEYING PIN SHOWN IN POSITION A, SEE KEYING CHART
ON SHEET 2 FOR OTHER POSITIONS.

0.55	0.46	5.5	2227084-6
0.55	0.46	4.9	2227084-5
0.55	0.46	4.5	2227084-4
0.48	0.39	5.5	2227084-3
0.48	0.39	4.9	2227084-2
0.48	0.39	4.5	2227084-1
D DRILL HOLE SIZE	P PLATED THROUGH HOLE SIZE	M POST LENGTH	PART NUMBER

REFER TO WWW.TE.COM
FOR PRODUCT AVAILABILITY

THIS DRAWING IS A CONTROLLED DOCUMENT.		DMN AJITH PAI 16MAY2014	 TE Connectivity
DIMENSIONS: mm		CHK D. DIXON 16MAY2014	
		APVD D. DIXON 16MAY2014	NAME IMPACT, 85 OHM, STANDARD 2 PAIR PLUS, 16 COLUMN HEADER, UNGUIDED, RIGHT ENDWALL, SIGNAL MODULE
TOLERANCES UNLESS OTHERWISE SPECIFIED: 0 PLC ± 1 PLC ±0.25 2 PLC ±0.13 3 PLC ± 4 PLC ±		PRODUCT SPEC	SIZE A100779C=2227084
ANGLES FINISH SEE TABLE		APPLICATION SPEC	RESTRICTED TO
MATERIAL		WEIGHT	SCALE 5:1 SHEET 2 OF 2 REV A1
		CUSTOMER DRAWING	