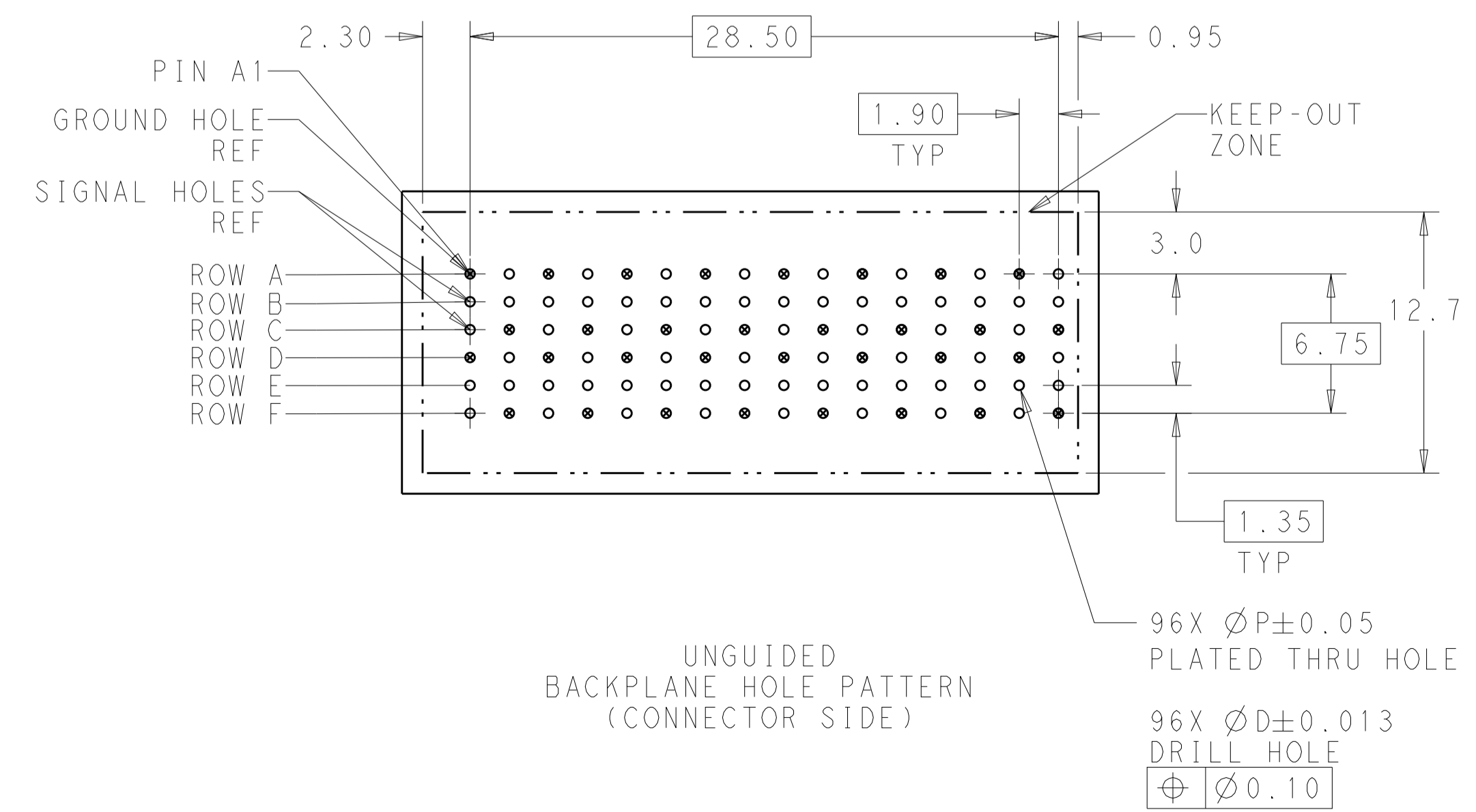
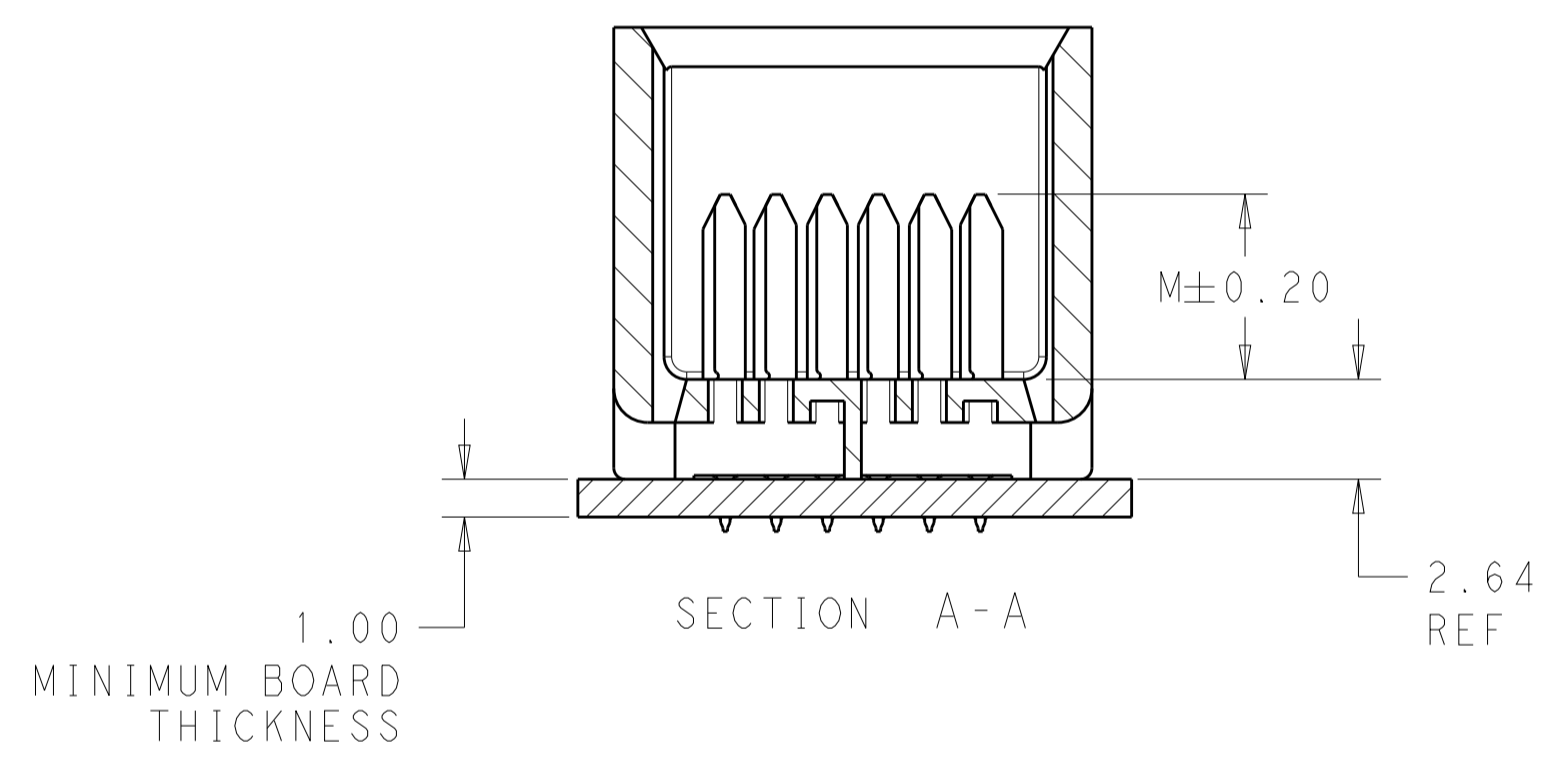
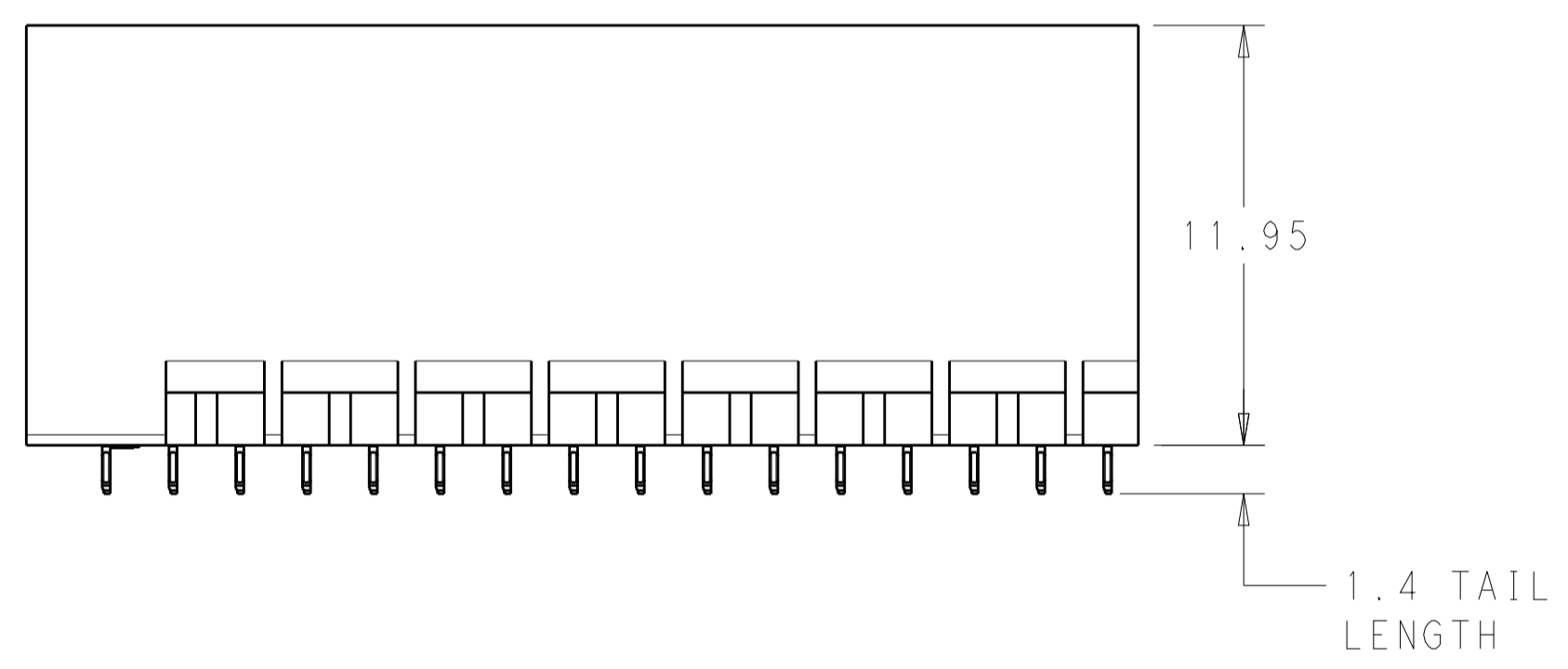
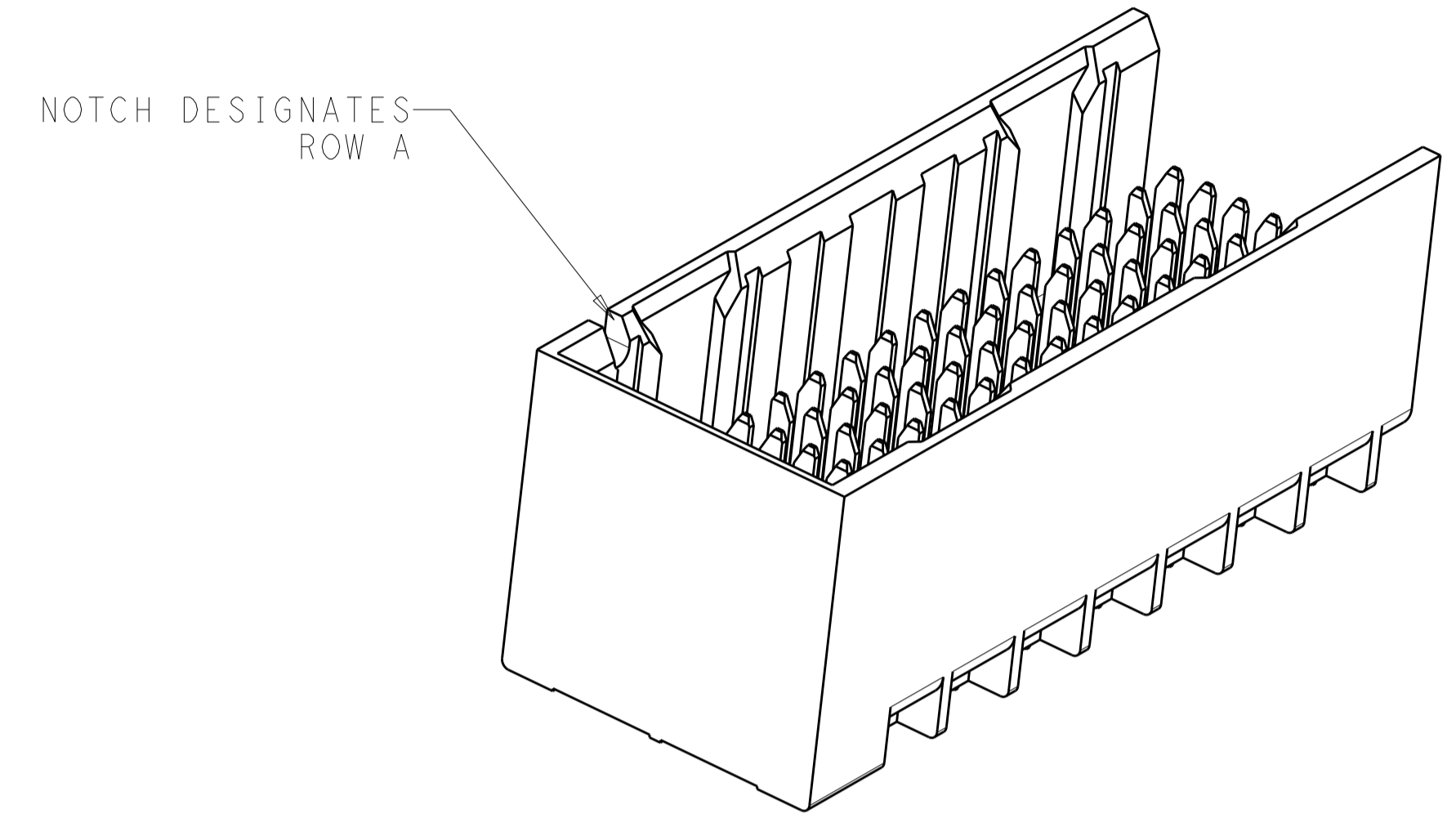
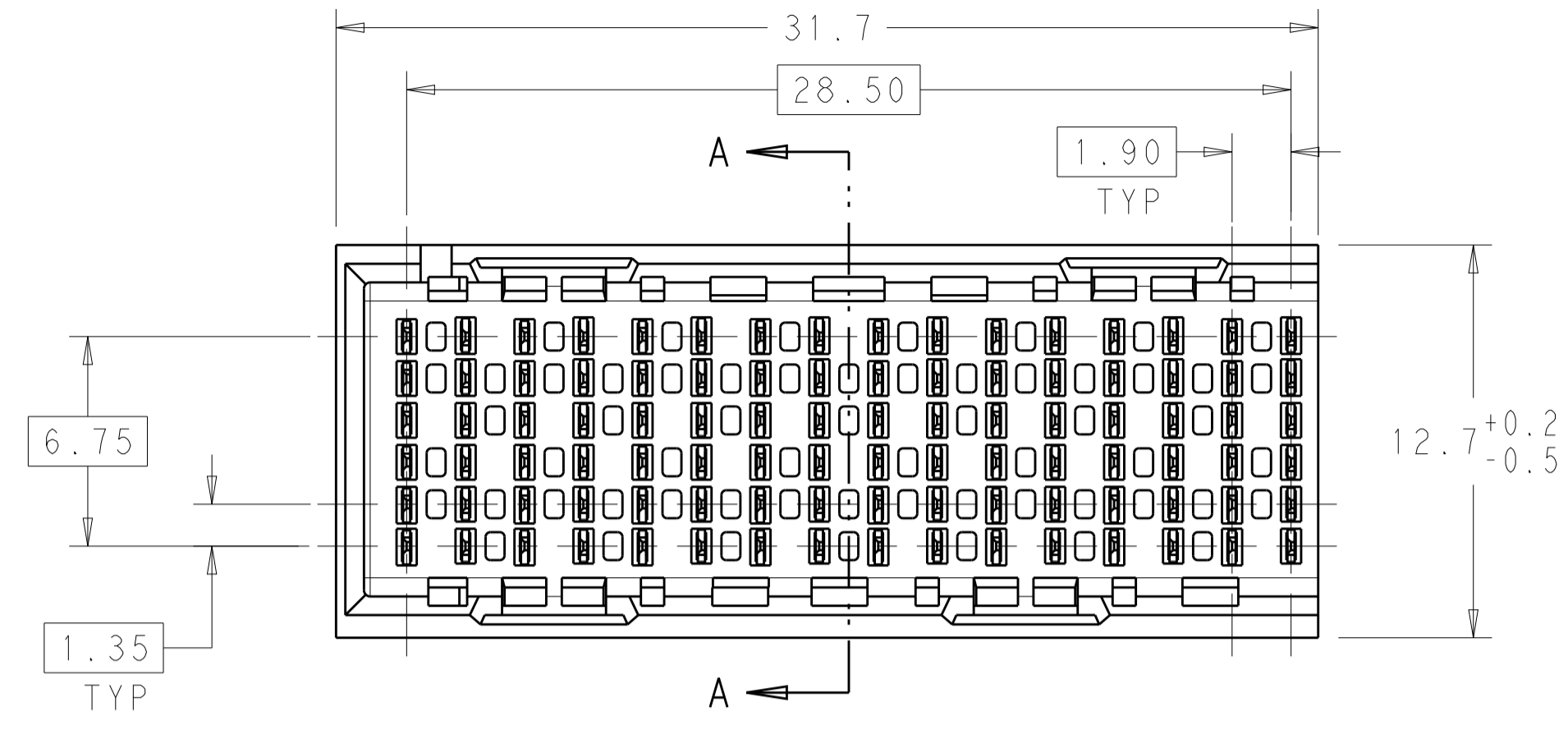


LOC		DIST		REVISIONS			
P	LTN	DESCRIPTION	DATE	DWN	APVD		
A1		REVISED PER ECO-15-004792	31MAR2015	AP	DD		



THIS DRAWING IS A CONTROLLED DOCUMENT.		DWN AJITH PAI 16MAY2014	TE Connectivity
DIMENSIONS:		CHK D. DIXON 16MAY2014	
mm	TOLERANCES UNLESS OTHERWISE SPECIFIED:	APVD D. DIXON 16MAY2014	NAME IMPACT, 85 OHM, STANDARD, 2 PAIR PLUS, 16 COLUMN HEADER, UNGUIDED, LEFT ENDWALL, SIGNAL MODULE
	0 PLC ± 1 PLC ±0.25 2 PLC ±0.13 3 PLC ± 4 PLC ± ANGLES ±	PRODUCT SPEC	SIZE A100779
MATERIAL	FINISH SEE TABLE	APPLICATION SPEC	RESTRICTED TO
		WEIGHT	Customer Drawing
		SCALE 5:1	SHEET 1 OF 2
			REV A1


THIS DRAWING IS UNPUBLISHED. RELEASED FOR PUBLICATION 20  
 © COPYRIGHT 20 BY - ALL RIGHTS RESERVED.

LOC	DIST	REVISIONS			
		REV	DATE	BY	APPV
AD	00	-	SEE SHEET 1	-	-

- 1 MATERIAL:  
HOUSING: LCP, GLASS FILLED, UL94V-0.  
TERMINALS: HIGH PERFORMANCE COPPER ALLOY.
- 2 FINISH:  
30μ" MIN GOLD IN CONTACT AREA. SELECTIVE TIN  
ON PCB TAILS, NICKEL OVERALL.
- 3. SCREWS PACKAGED IN END OF PACKAGING TUBE.
- 4 FOR GROUNDED GUIDE PIN USE Ø3.56±0.08 PTH,  
Ø3.66 DRILL, AND Ø6.5 PAD.
- 5. KEYING PIN SHOWN IN POSITION A, SEE KEYING CHART  
ON SHEET 2 FOR OTHER POSITIONS.

0.55	0.46	5.5	2227082-6
0.55	0.46	4.9	2227082-5
0.55	0.46	4.5	2227082-4
0.48	0.39	5.5	2227082-3
0.48	0.39	4.9	2227082-2
0.48	0.39	4.5	2227082-1
D DRILL HOLE SIZE	P PLATED THROUGH HOLE SIZE	M POST LENGTH	PART NUMBER

REFER TO WWW.TE.COM  
FOR PRODUCT AVAILABILITY

THIS DRAWING IS A CONTROLLED DOCUMENT.		OWN AJITH PAI 16MAY2014	 TE Connectivity
DIMENSIONS:		CHK D. DIXON 16MAY2014	
mm 0 PLC ± 1 PLC ±0.25 2 PLC ±0.13 3 PLC ± 4 PLC ± ANGLES ± FINISH SEE TABLE		APVD D. DIXON 16MAY2014	
MATERIAL		PRODUCT SPEC	NAME IMPACT, 85 OHM, STANDARD, 2 PAIR PLUS, 16 COLUMN HEADER, UNGUIDED, LEFT ENDWALL, SIGNAL MODULE
		APPLICATION SPEC	RESTRICTED TO
		WEIGHT	SIZE CAGE CODE DRAWING NO A100779C=2227082
		Customer Drawing	SCALE 5:1 SHEET 2 OF 2 REV A1