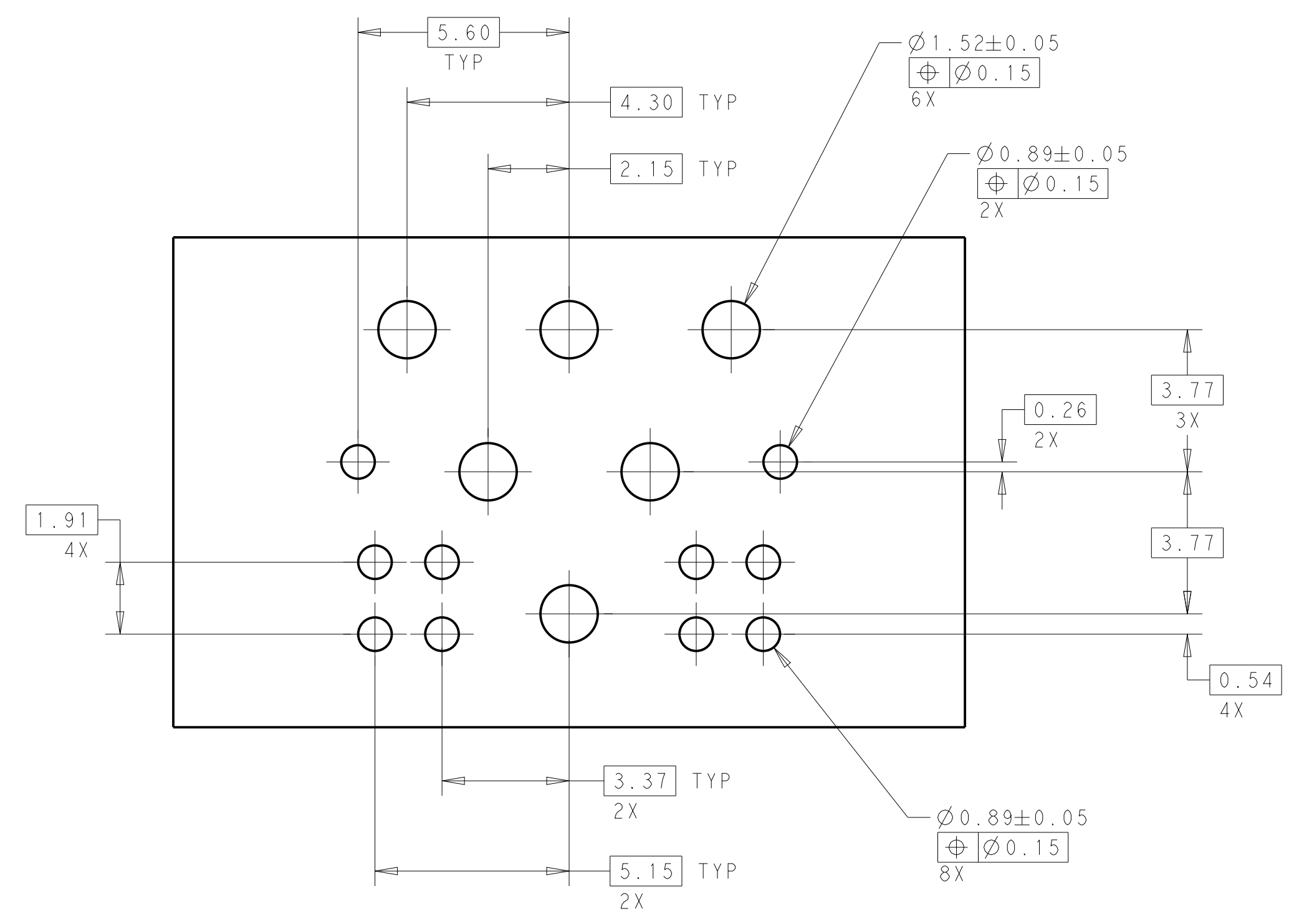
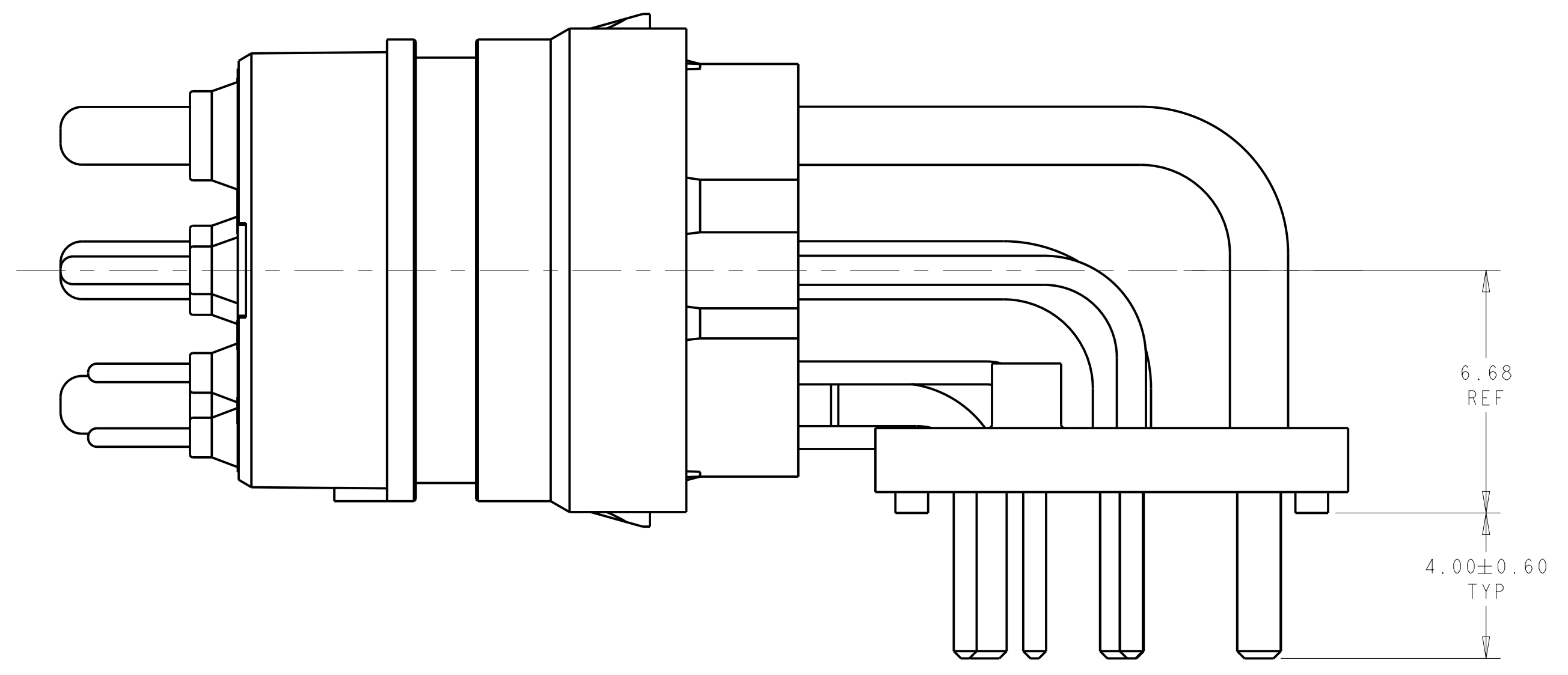
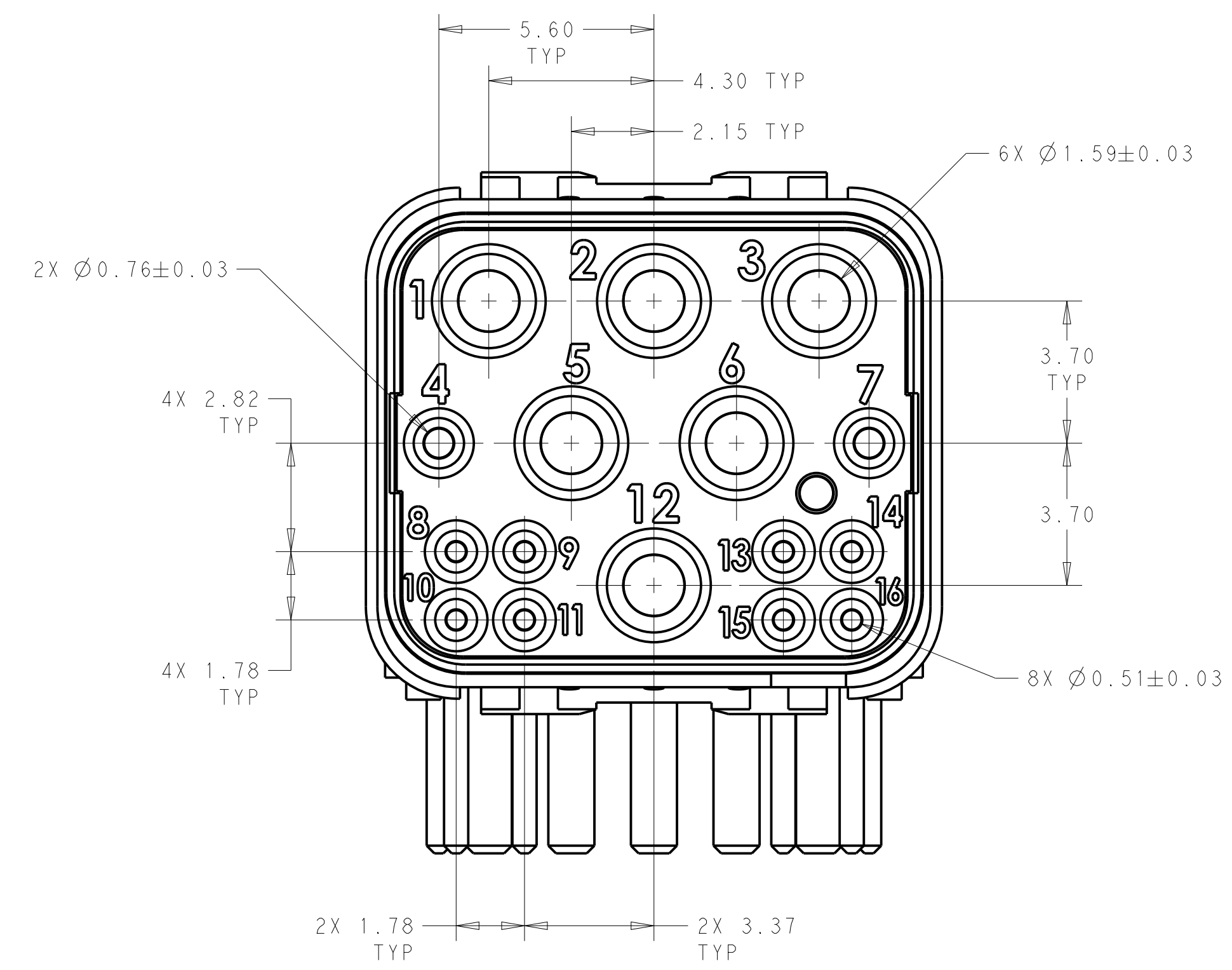


LOC		DIST		REVISIONS			
P	LTM	DESCRIPTION	DATE	DWN	APVD		
C		REVISED PER ECO-14-000346	03JAN2014	DLB	RL		
D		REVISED PER ECO-14-005494	10APR2014	DLB	RL		
E		REVISED PER ECO-14-009260	13JUN2014	DLB	RL		
F		REVISED PER ECO-14-010435	11JUL2014	DLB	RL		



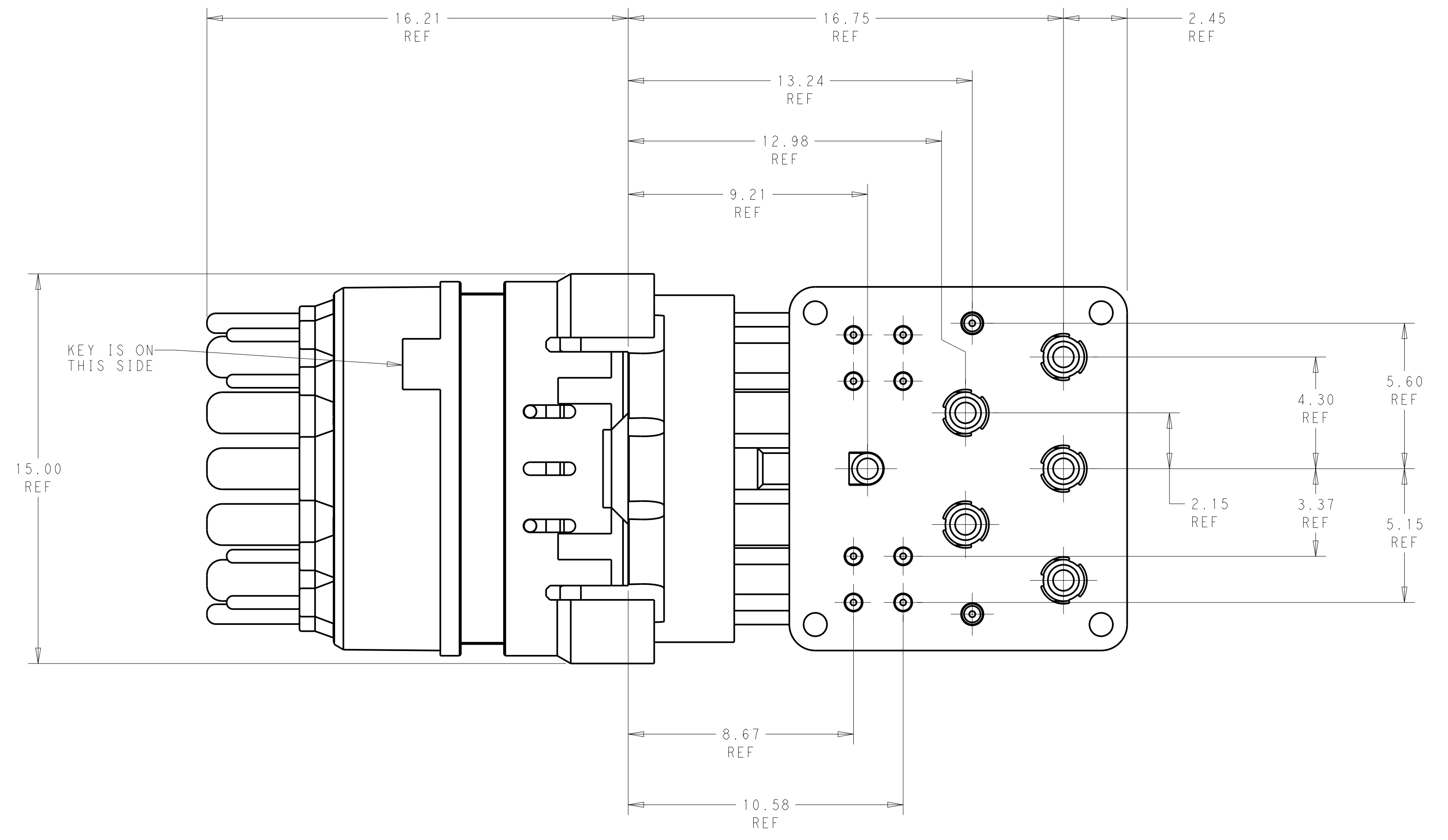
**PCB LAYOUT**

ASSEMBLY, PIN INSERT  
 RIGHT ANGLE

PART NUMBER	FINISH ON EXTENDED TAILS	6 SIZE 16 TAIL DIAMETER	2 SIZE 22 TAIL DIAMETER	8 SIZE 24 TAIL DIAMETER
-1	GOLD	1.20 $\pm 0.03$	0.64 $\pm 0.03$	0.64 $\pm 0.03$

**CURRENT RATING**

SIZE	SIZE 16	SIZE 22	SIZE 24
CURRENT RATING (A)	15	5.4	3



SUPERCEDED BY 2286451-1	LOW COST	2226412-2
	STANDARD	2226412-1
	DESCRIPTION	PART NUMBER

THIS DRAWING IS A CONTROLLED DOCUMENT. DWN: D BROCKWAY 29MAY2013  
 CHK: R LUCENTE 29MAY2013

DIMENSIONS: mm  
 TOLERANCES UNLESS OTHERWISE SPECIFIED:  
 0 PLC  $\pm .5$   
 1 PLC  $\pm .50$   
 2 PLC  $\pm .5$   
 3 PLC  $\pm .5$   
 4 PLC  $\pm .5$   
 ANGLES  $\pm .5$

MATERIAL: - FINISH: -

PRODUCT SPEC: -  
 APPLICATION SPEC: -  
 WEIGHT: -  
 CUSTOMER DRAWING

NAME: ASSEMBLY, PIN INSERT RIGHT ANGLE 16-02 MODULE, STANDARD PNB  
 SIZE: A1 CAGE CODE: 00779 DRAWING NO: 2226412  
 RESTRICTED TO: -

SCALE: 8:1 SHEET: 1 OF 1 REV: F