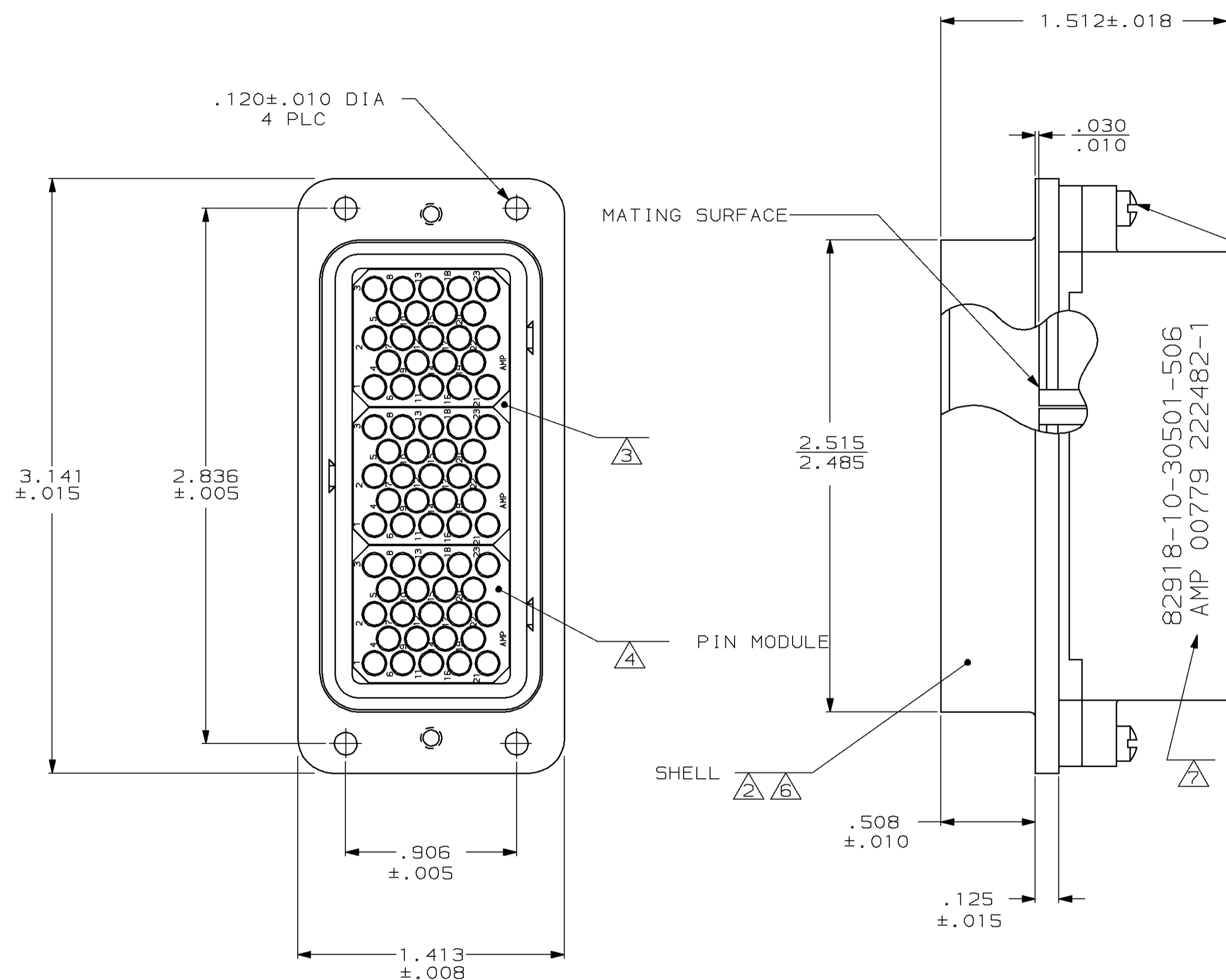


LOC	DIST	P	F	REVISIONS				
				ZONE	LTR	DESCRIPTION	DATE	APPD
DF	B1			0		REL PER NPR 92-0468 AJG	-	-
				A		REV PER 0600-6290-97 TT	02JUN98	PD



- ① STAINLESS STEEL PER ASTM-A-582
- ② ALUMINUM PER QQ-A-591
- ③ EPOXY
- ④ DIALLYL PHTHALATE PER MIL-M-14, BLUE
- ⑤ PASSIVATION PER QQ-P-35
- ⑥ CADMIUM PL PER QQ-P-416, OLIVE DRAB
- ⑦ CUSTOMER & AMP P/N INK STAMPED AS SHOWN NEAR SIDE; DATE CODE & MODULE IDENT "A", "B" & "C" INK STAMP FAR SIDE

		222482-1	
		PART NO	
DO NOT SCALE PRINT. UNLESS SPECIFIED DIMENSIONS IN INCHES TOLERANCES ON: 2 PLC DEC ± - 3 PLC DEC ± - ANGLES ± -	DR	AJ GRAFF	12-16-92
	CHK	D. MUMMEY	12-16-92
	APPD	D. MUMMEY	12-16-92
	APPD	D. MUMMEY	12-16-92
MATERIAL	① THRU ④		NAME RECEPTACLE ASSY, SEALED, 3 MODULE, 24 POSITION, SERIES G
FINISH	⑤ ⑥		
	APPLICATION SPEC	SIZE	FSCM NO
		C	00779
	WEIGHT	SCALE	DRAWING NO
		2:1	222482
		SHEET	1 OF 1