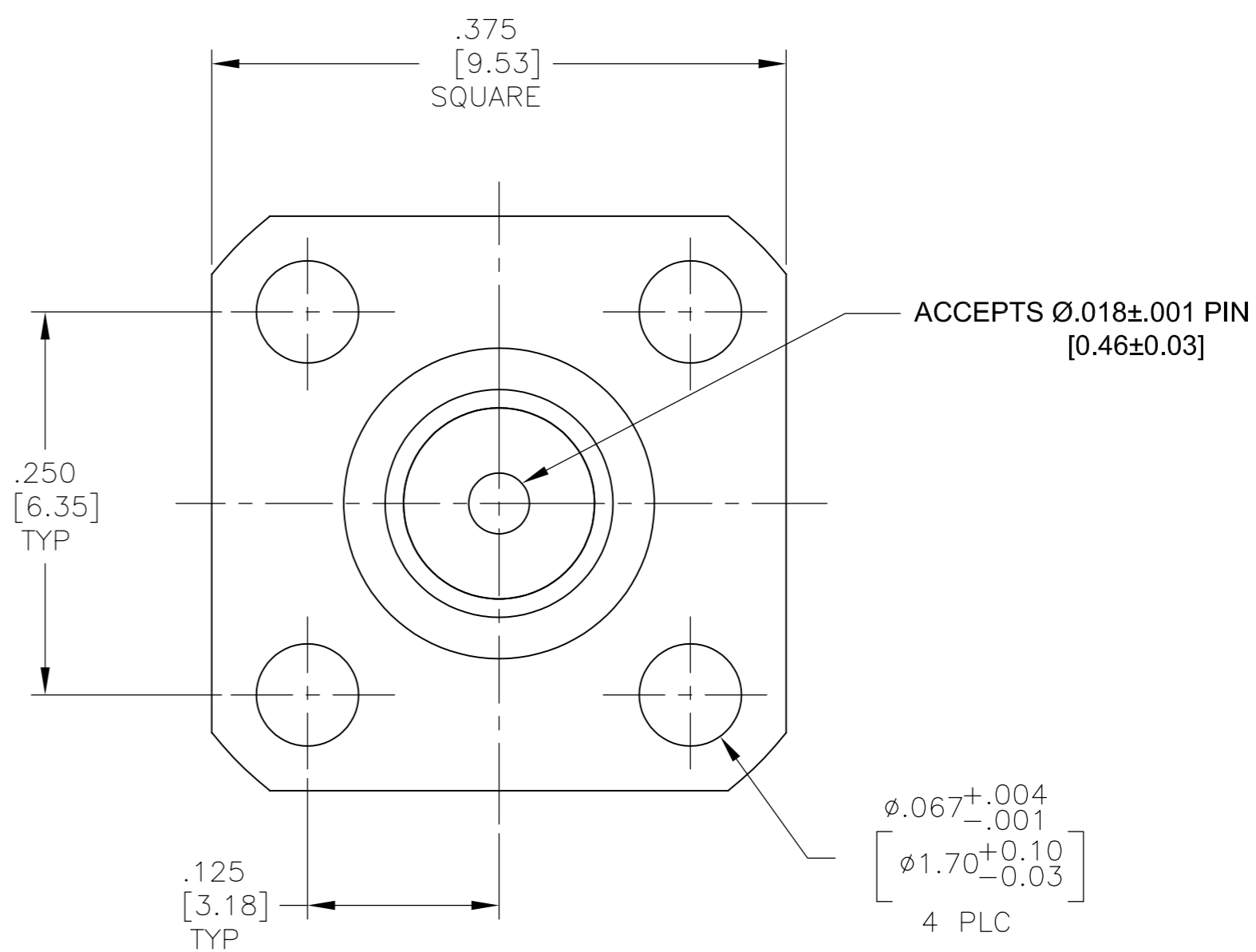
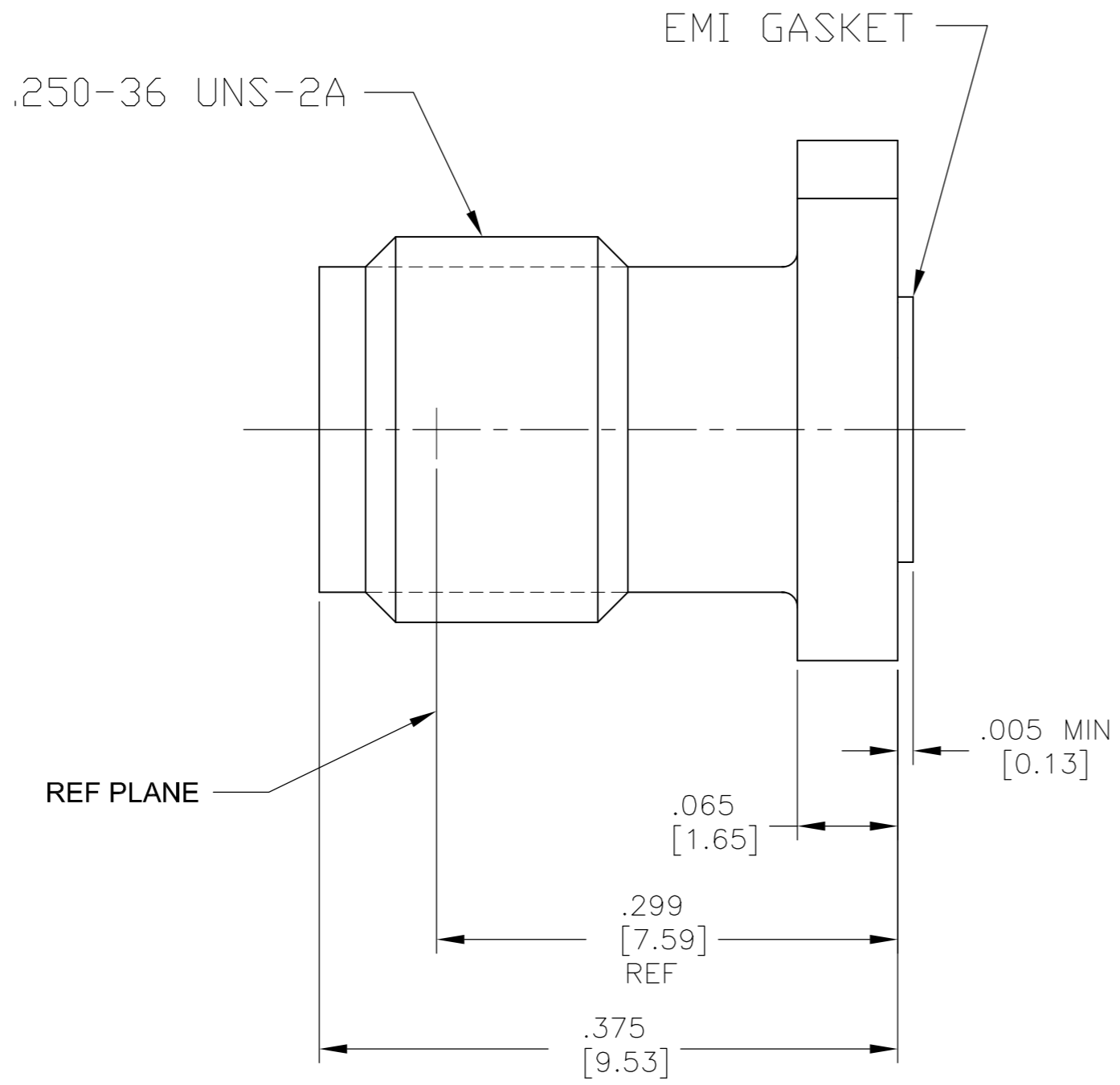


THIS DRAWING IS UNPUBLISHED. RELEASED FOR PUBLICATION
 © COPYRIGHT - By - ALL RIGHTS RESERVED.

REVISONS		DATE	DWN	APVD
P	LTR	DESCRIPTION		
A		RELEASED PER ECO 13-009600	6-10-13	CT DW

1. CAPTURED CENTER CONTACT



ELECTRICAL	MECHANICAL	ENVIRONMENTAL
Nominal Impedance (Ωhms) <u>50</u>	Interface Dimensions MIL-STD-348A, Fig. 310-2	TEMPERATURE RATING <u>-65 TO +165°C</u>
Frequency Range (GHz) DC to <u>18</u>	Recommended Mating Torque <u>7-10 IN-LBS</u>	Vibration MIL-STD-202, Method 204, Condition D
Volt Rating (VRMS MAX) @ Sea Level <u>335</u>	Mating Characteristics: Insertion (MAX Lbs) <u>4.0</u>	Shock MIL-STD-202, Method 213, Condition I
VSWR <u>1.04 + .006 f(GHz)</u>	Withdrawal (MIN Oz) <u>1.0</u>	Thermal Shock MIL-STD-202, Method 107, Condition B, EXCEPT HIGH TEMP +85°C
Insertion Loss (dB MAX) <u>.04 √f(GHz)</u>	Force to Engage and Disengage (In-Lbs MAX) <u>2.0</u>	Moisture Resistance MIL-STD-202, Method 106
RF Leakage (dB MIN) <u>90dB</u>	Center Contact Captivation Axial (Lbs) <u>6.0</u>	Corrosion - MIL-STD-202, Method 101, Condition B, 5% salt spray
Corona, 70,000 Ft (VRMS MIN) <u>333</u>	Cable Retention Axial Force (Lbs) <u>N/A</u>	
Dielectric Withstanding Voltage (VRMS MIN) @ Sea Level <u>1,000</u>	Torque (In-Oz) <u>N/A</u>	
Contact Resistance (Milliohms MAX) Center Contact <u>3.0</u>	Weight (Grams) <u>TBD</u>	
Outer Contact <u>2.0</u>		
Cable to Housing <u>N/A</u>		
RF High Potential @ Sea Level (VRMS MIN @ 5 MHz) <u>670</u>		
I.R.(Megohms MIN) <u>10,000</u>		

COMPONENT	MATERIAL	FINISH
HOUSING	STAINLESS STEEL PER ASTM-A484 AND ASTM-A582, TYPE 303	PASSIVATE PER ASTM A380
DIELECTRIC	TFE FLUOROCARBON PER MIL-P-19468 AND FED SPEC L-P-403	N/A
CENTER CONTACT	BERYLLIUM COPPER PER QQ-C-530,ALLOY 173	GOLD PLATE PER ASTM-B-488 OVER COPPER PLATE PER MIL-C-14550
GASKET	CONDUCTIVE SILVER/SILICONE ELASTOMERS	N/A

2221752-1
PART NUMBER

THIS DRAWING IS A CONTROLLED DOCUMENT.

DIMENSIONS: INCHES [mm]	TOLERANCES UNLESS OTHERWISE SPECIFIED:	DWN C.C.THOMAS 6-10-13	TE Connectivity NAME SMA 4 HOLE FLANGE MOUNT JACK RECEPTACLE SIZE A2 CAGE CODE 00779 DRAWING NO C=2221752 RESTRICTED TO -
	0 PLC ± -	CHK D.WILSON 6-10-13	
	1 PLC ± -	APVD D.WILSON 6-10-13	
	2 PLC ± -	PRODUCT SPEC	
	3 PLC ± .005 [0.13]	APPLICATION SPEC	
	4 PLC ± -		
	ANGLES ± -		
MATERIAL SEE TABLE	FINISH SEE TABLE	WEIGHT -	SCALE 10:1 SHEET 1 of 1 REV A

CUSTOMER DRAWING