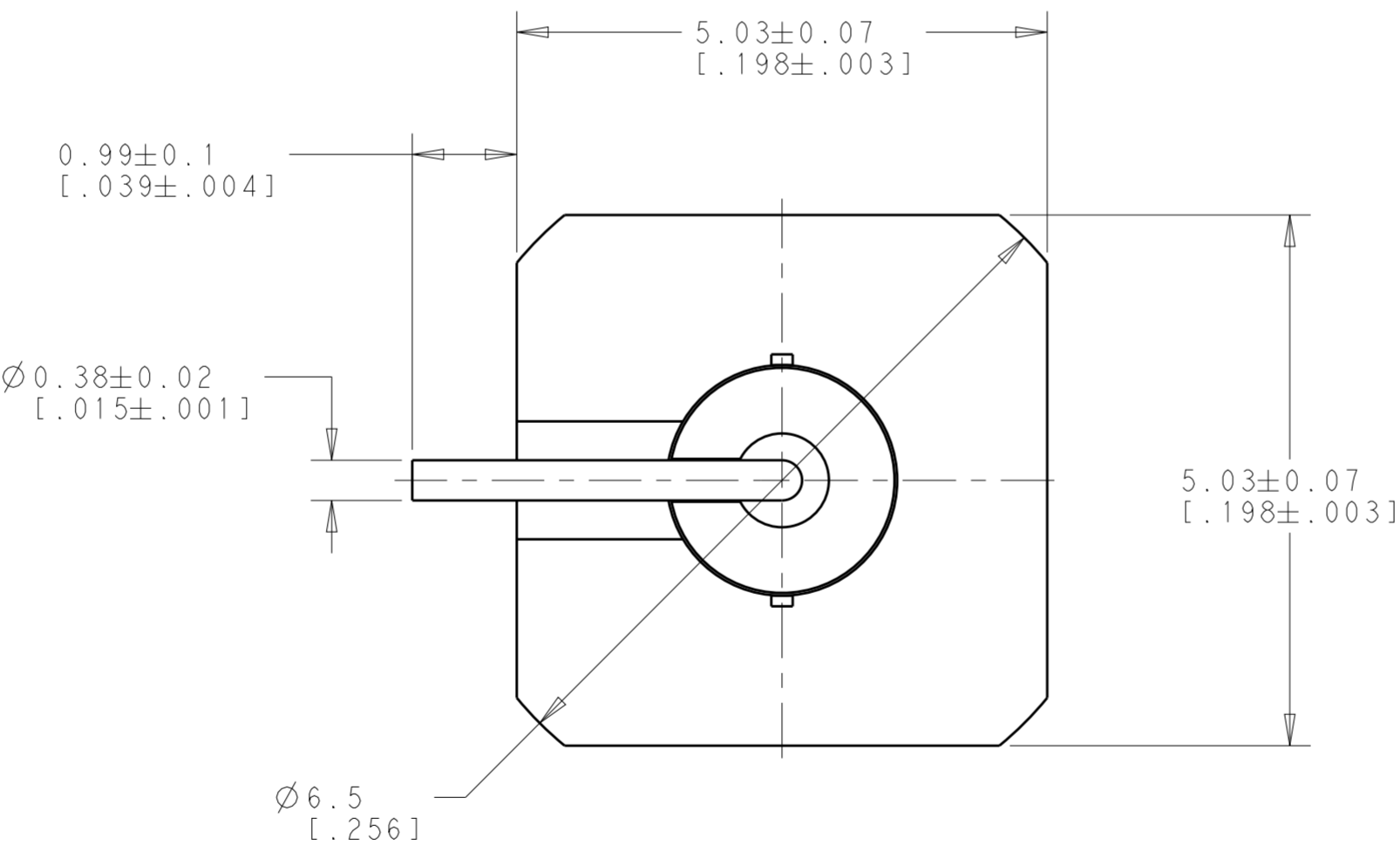
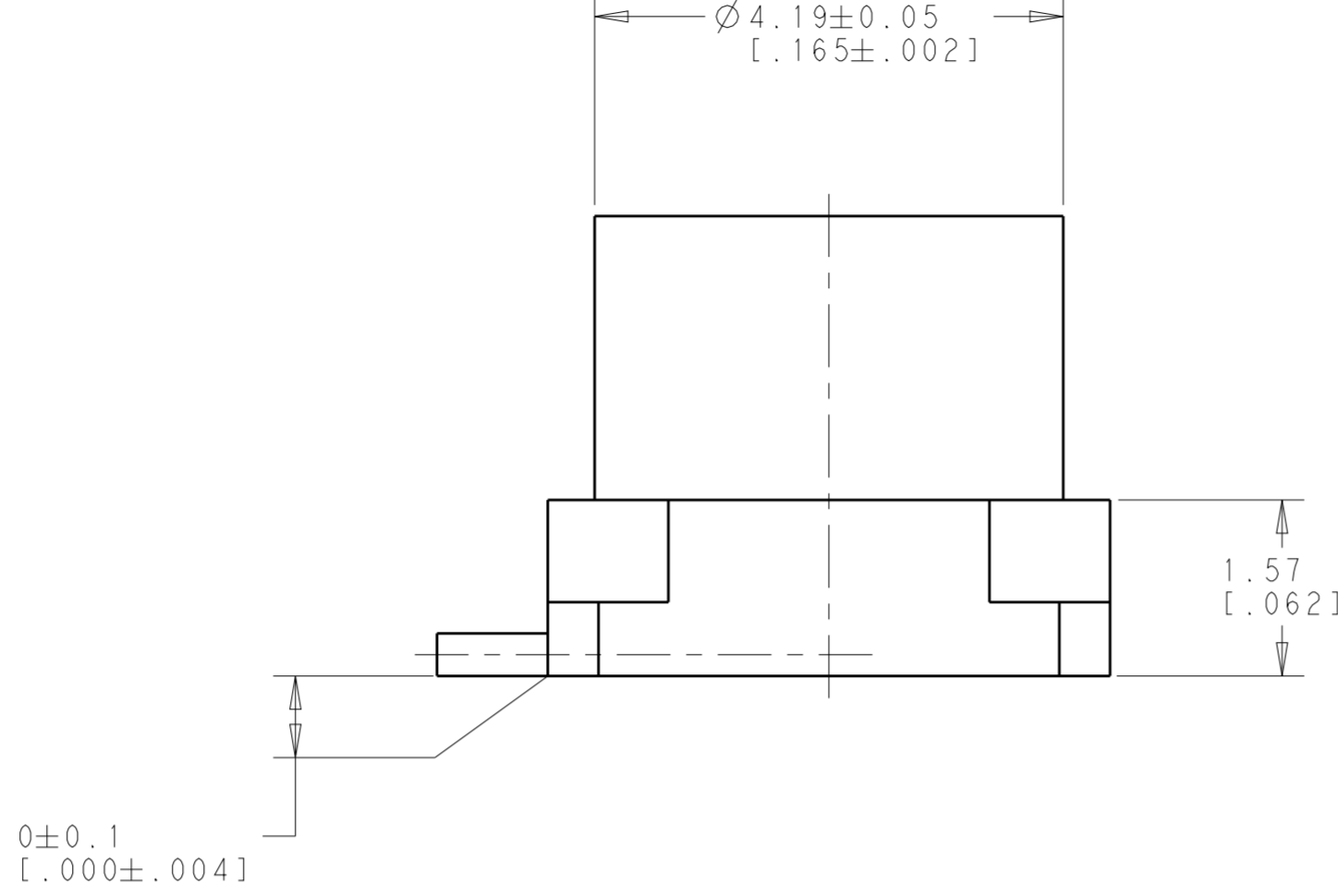
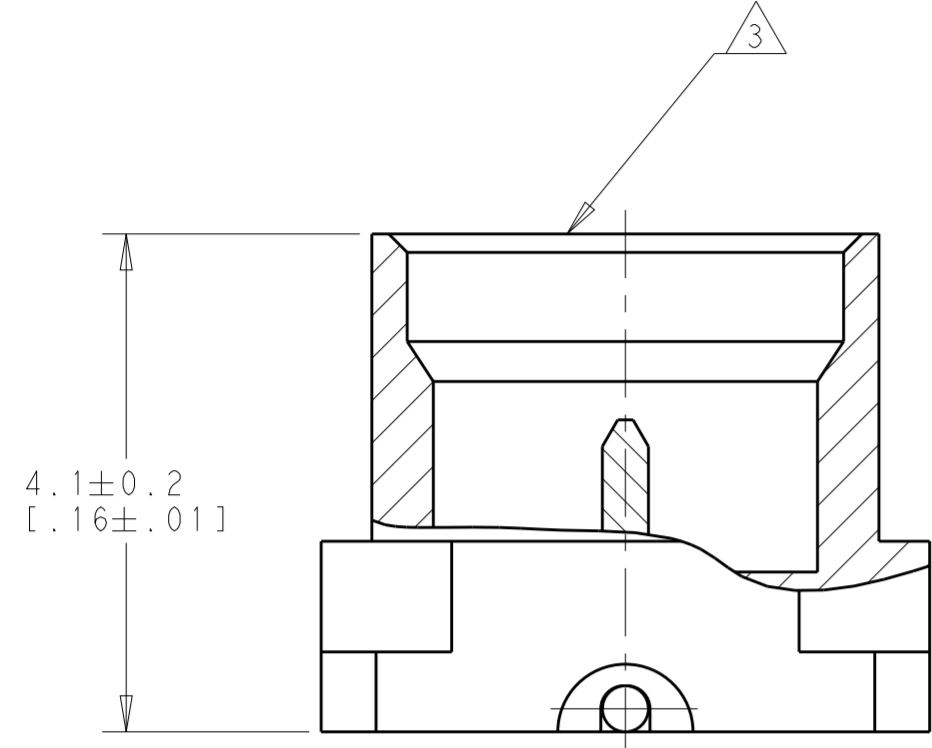
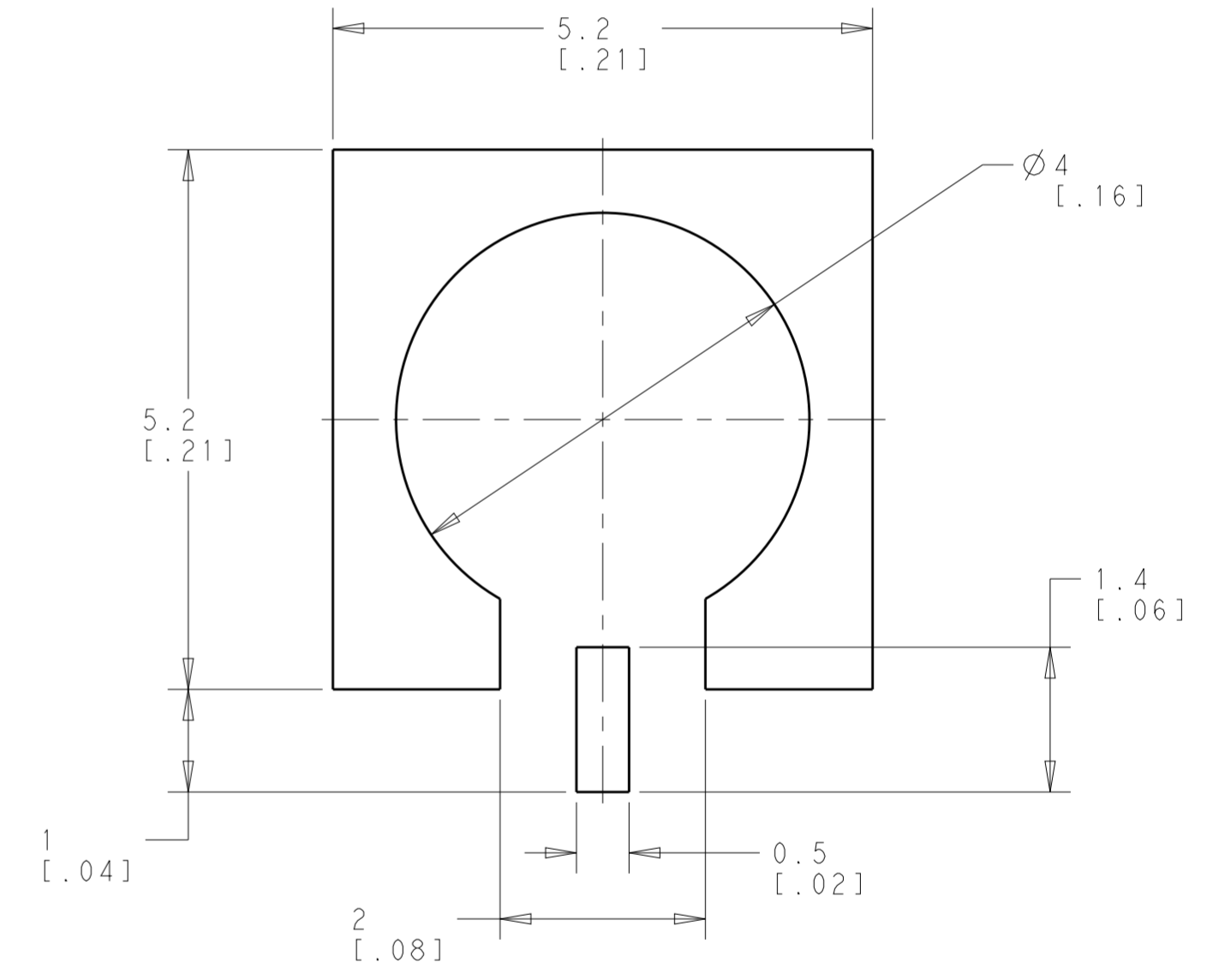


THIS DRAWING IS UNPUBLISHED. RELEASED FOR PUBLICATION 20  
 © COPYRIGHT 20 BY - ALL RIGHTS RESERVED.

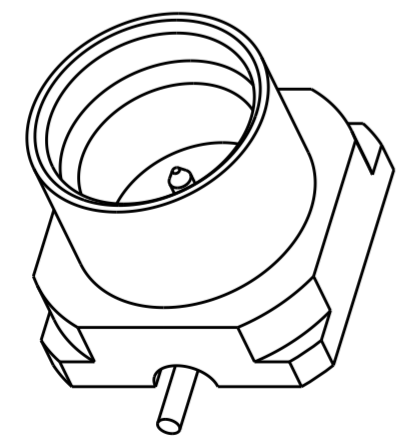
LOC		DIST		REVISIONS			
P	LTR	DESCRIPTION	DATE	DWN	APVD		
	A	RELEASED PER ECO 13-009179	6-3-13	CT	BM		



- 1 MATERIALS:  
 HOUSING: BRASS PER ASTM B 16  
 CONTACT: BERYLLIUM COPPER PER ASTM B 196  
 DIELECTRIC: POLYAMIDE-AMIDE (TORLON) PER MIL-R-46179
- 2 FINISHES:  
 HOUSING AND CONTACT: GOLD PLATE, 1.0 μm [.000040] MIN THICK PER MIL-G-45204 OVER NICKEL PLATE PER QQ-N-290
- 3 SMP SMOOTH BORE INTERFACE PER MIL-STD-348A, FIG 326-4



RECOMMENDED PCB PATTERN



SCALE 8:1

2221674-1  
 PART NUMBER

THIS DRAWING IS A CONTROLLED DOCUMENT.		DWN B. MOYER 28FEB2013	TE Connectivity	
		CHK C.C. THOMAS 6-3-13		
DIMENSIONS: mm [INCHES]		APVD B. MOYER 04MAR2013	NAME SMP, SMOOTH BORE, MALE, SURFACE MOUNT PCB	
TOLERANCES UNLESS OTHERWISE SPECIFIED: 0 PLC ± 1 PLC ± 2 PLC ± 3 PLC ±0.13 [.005] 4 PLC ± ANGLES ± FINISH		PRODUCT SPEC TBD	SIZE A200779	
MATERIAL 1		APPLICATION SPEC -	DRAWING NO C-2221674	
		WEIGHT -	RESTRICTED TO -	
		Customer Drawing		SCALE 16:1 SHEET 1 OF 1 REV A