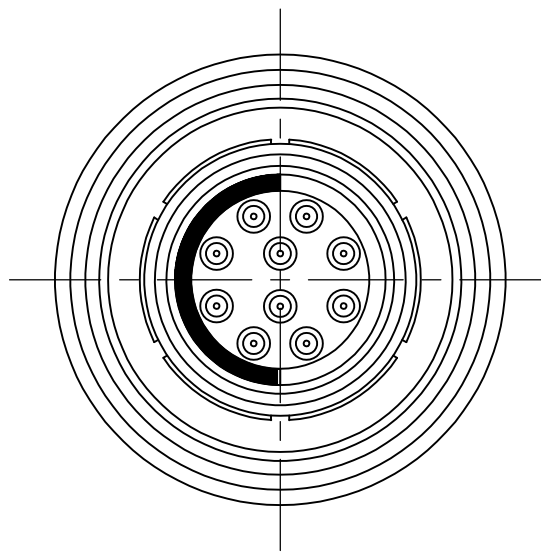
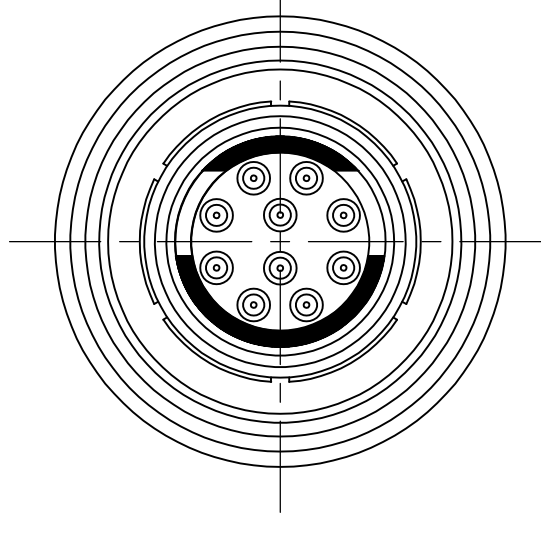


THIS DRAWING IS UNPUBLISHED. RELEASED FOR PUBLICATION
 © COPYRIGHT - B ALL RIGHTS RESERVED.

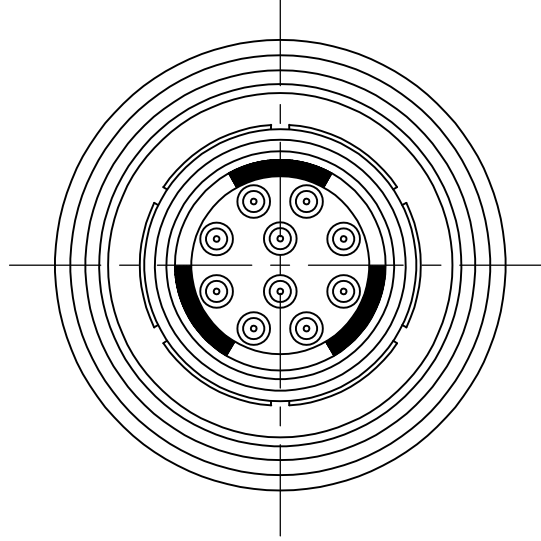
LOC		DIST		REVISIONS			
P	LTR	DESCRIPTION	DATE	DWN	APVD		
B		REVISED PER ECO 13-001843.	08FEB2013	MGM	CT		



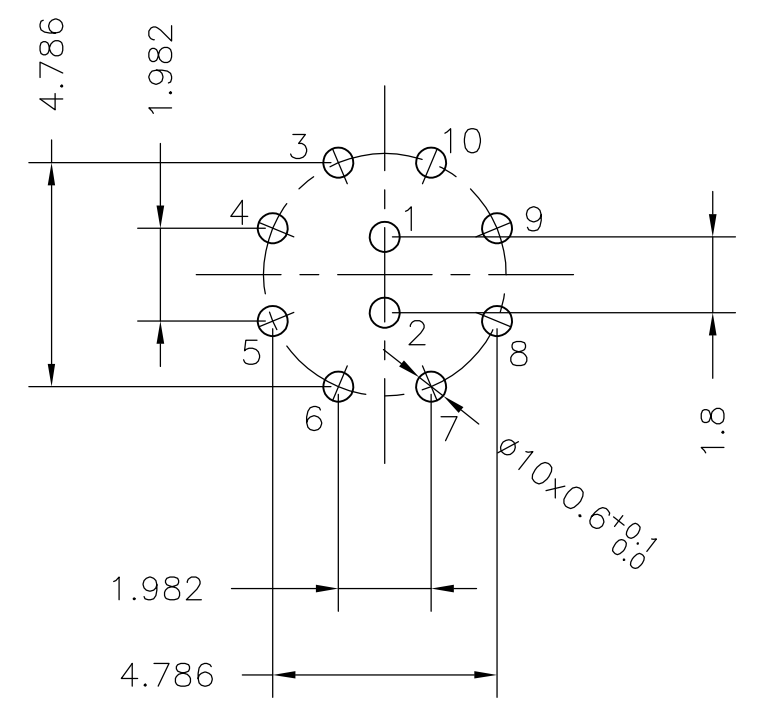
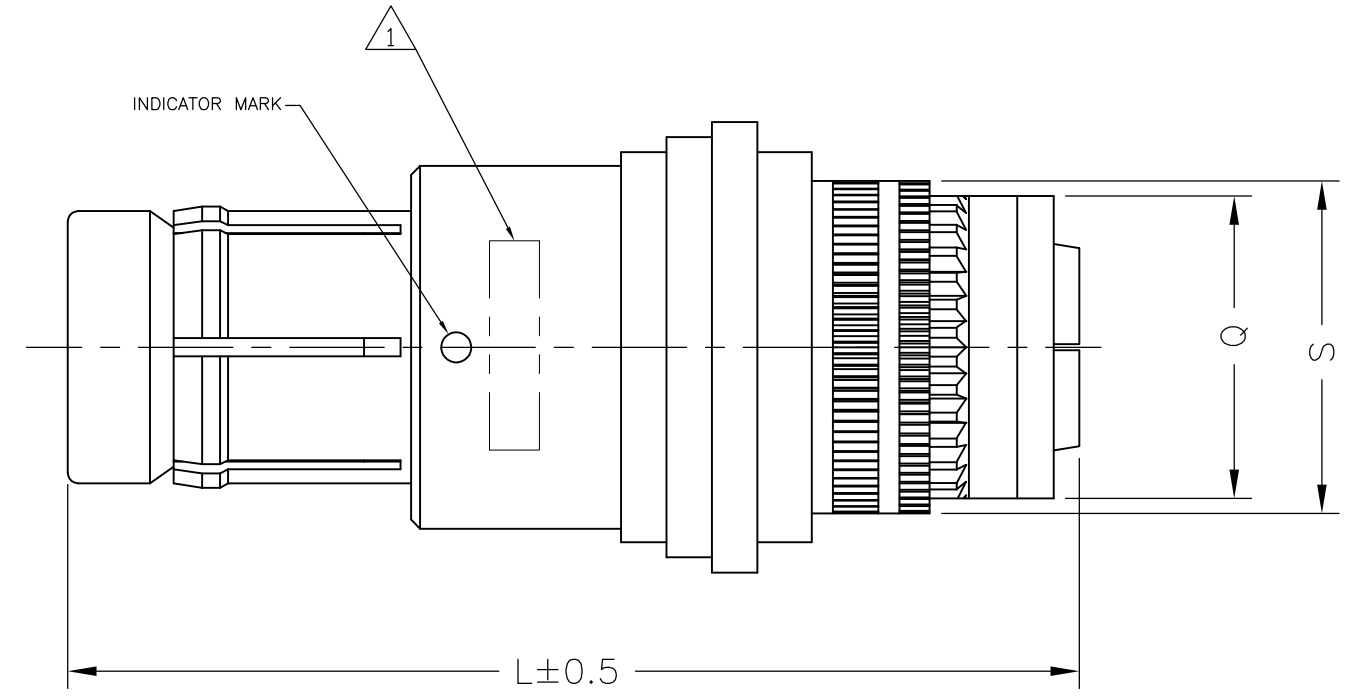
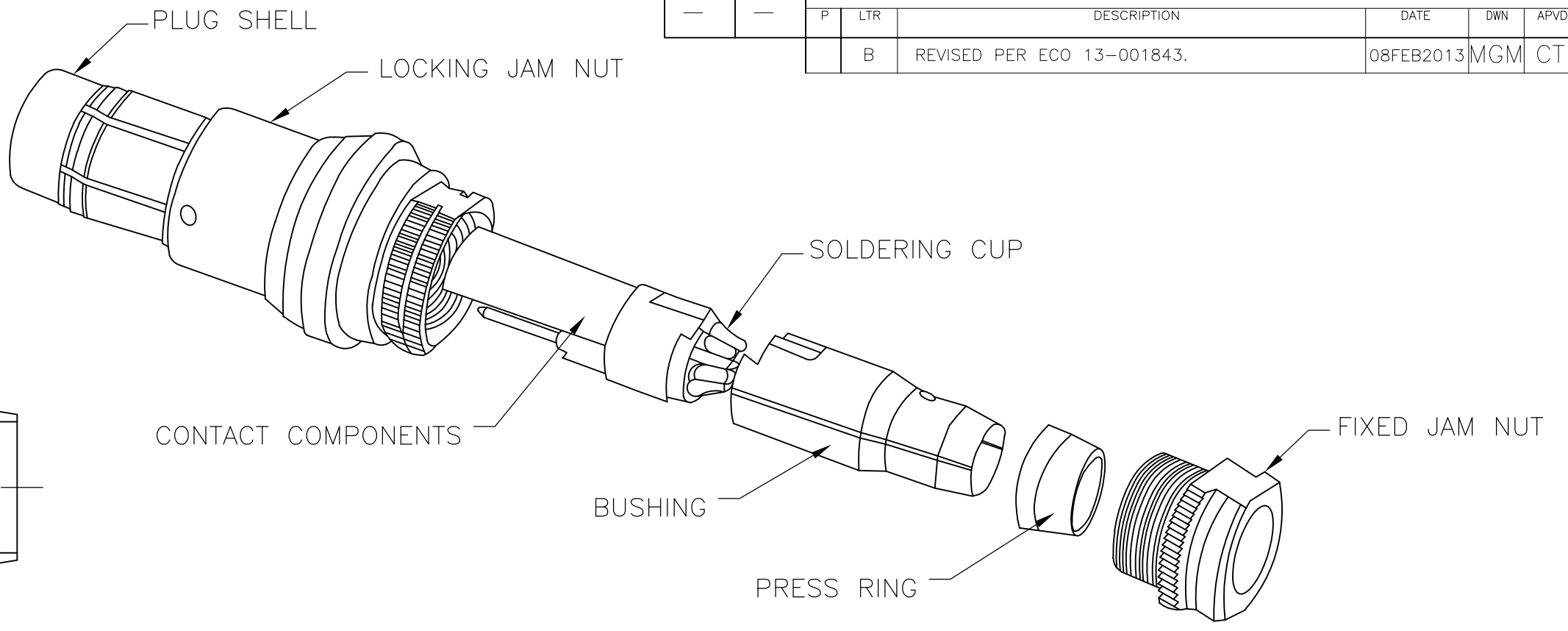
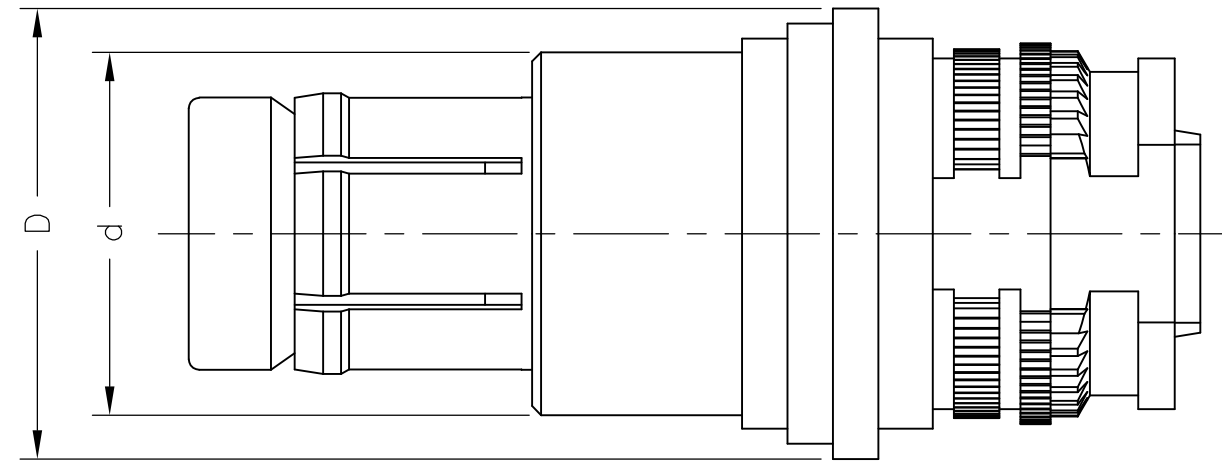
SINGLE POLARIZATION



DOUBLE POLARIZATION



THREE KEY POLARIZATION



1 THE PART IS MARKED WITH THE TE PART NUMBER, CHINA, DATE CODE AND LOT ID.

2. DWV RATING: 875VAC @ SEA LEVEL

3. WIRE SIZE: 24 AWG MAX

4. WORKING TEMPERATURE: -55°C ~ +125°C

5 MATERIAL:
 CONTACT : COPPER ALLOY
 SHELL : COPPER ALLOY
 INSULATOR : PEEK

6 FINISH
 CONTACT: GOLD OVER NICKEL
 SHELL : BLACK CHROMIUM

7 ALL TOLERANCES ±0.20MM UNLESS NOTED.

CHROMIUM-BLACK	THREE	SOLDERING	10	11	33.35	∅12.5	∅15.5	3	2221612-3
CHROMIUM-BLACK	DOUBLE	SOLDERING	10	11	33.35	∅12.5	∅15.5	3	2221612-2
CHROMIUM-BLACK	SINGLE	SOLDERING	10	11	33.35	∅12.5	∅15.5	3	2221612-1
FINISH	POLARIZATION	TERMINATION	Q	S	L	d	D	SHELL SIZE	TE PART NUMBER

THIS DRAWING IS A CONTROLLED DOCUMENT.

DWN	MANJUNATH	4DEC2012
CHK	R. GROSS	4DEC2012
APVD	R. GROSS	4DEC2012
PRODUCT SPEC	108-127005	
APPLICATION SPEC		

STE TE Connectivity

CIRCULAR HD PLUG WITH PIN CONTACTS
10 POS.

SIZE	A2	CAGE CODE	00779	DRAWING NO	C=2221612	RESTRICTED TO	
SCALE	NTS	SHEET	1 of 1	REV	B		

CUSTOMER DRAWING