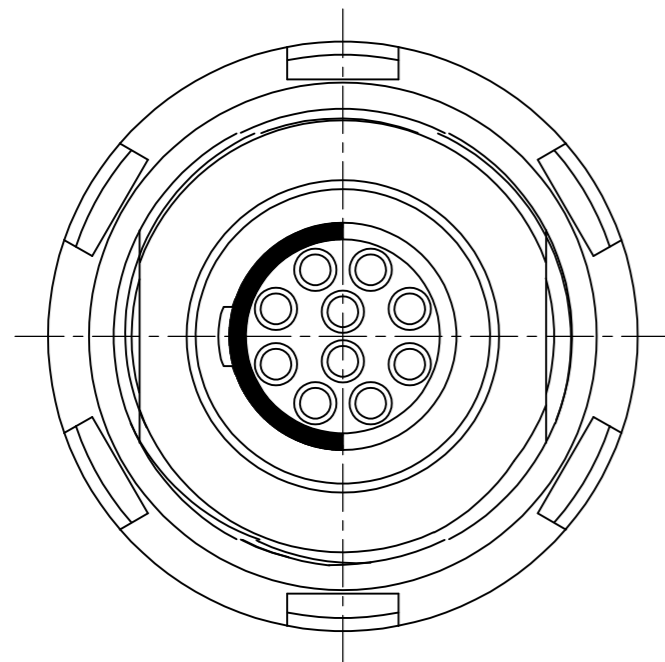
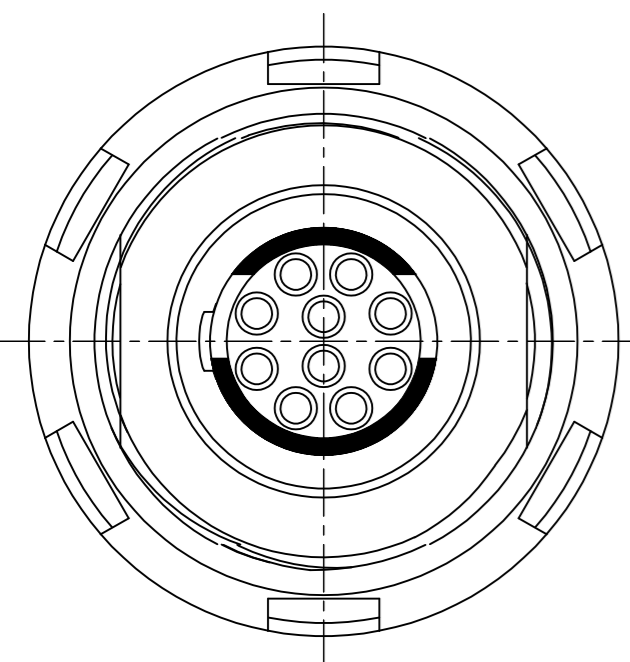
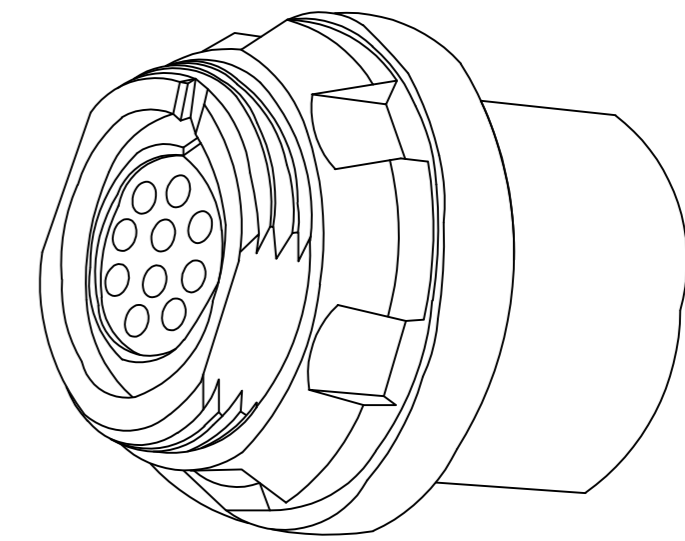
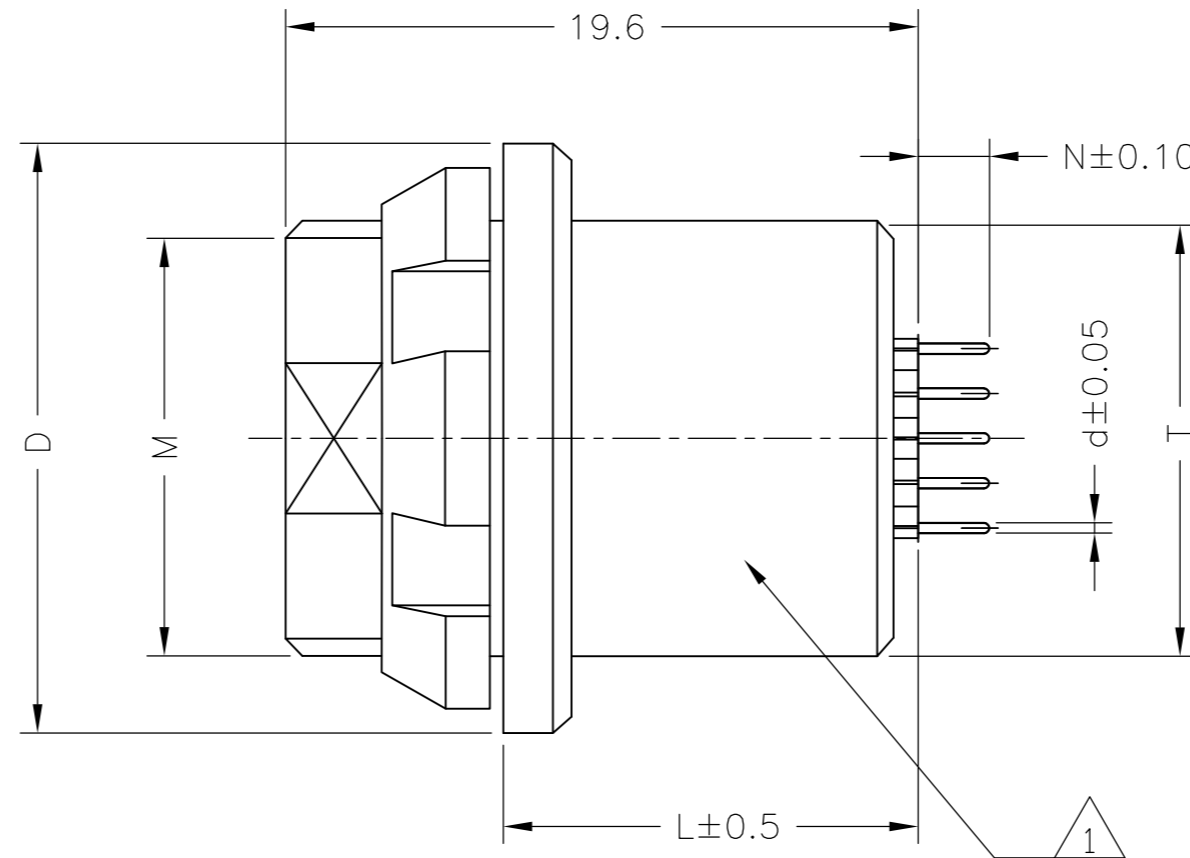


THIS DRAWING IS UNPUBLISHED. RELEASED FOR PUBLICATION  
 © COPYRIGHT - By - ALL RIGHTS RESERVED.

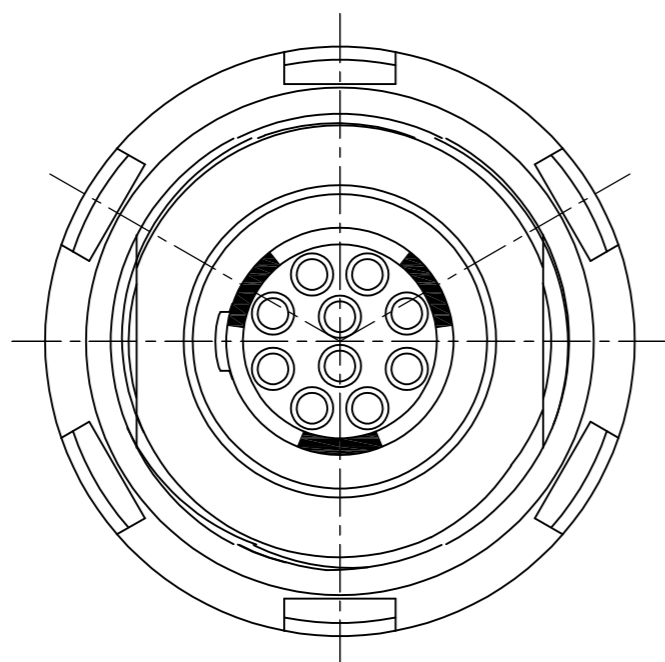
LOC		DIST		REVISIONS			
P	LTR	DESCRIPTION	DATE	DWN	APVD		
C		REVISED PER ECO 13-001843.	08FEB2013	MGM	CT		



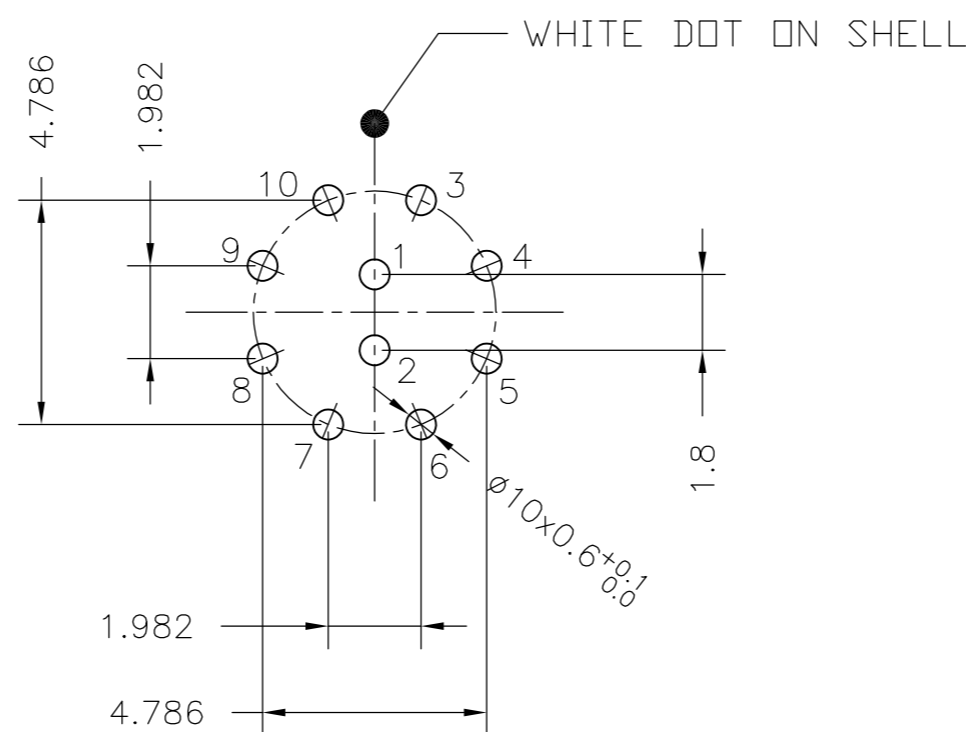
SINGLE POLARIZATION



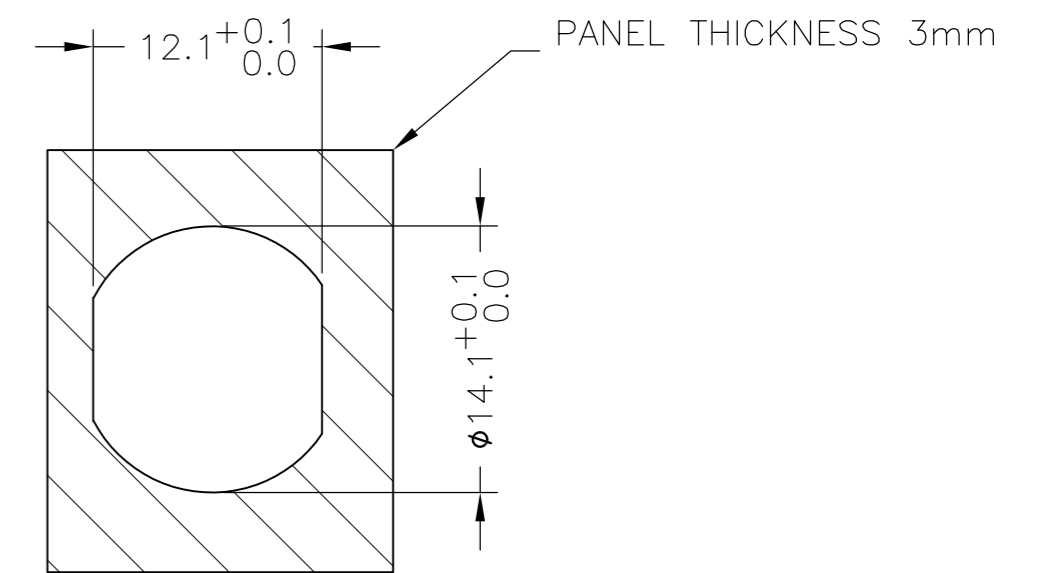
DOUBLE POLARIZATION



THREE KEY POLARIZATION



CAVITY IDENTIFICATION WHEN VIEWED FROM REAR OF CONNECTOR SCALE 4:1



PANEL CUTOUT SCALE 2.5:1

- 1 THE PART IS MARKED WITH THE TE PART NUMBER, CHINA, DATE CODE AND LOT ID.
- 2. DWV RATING: 875VAC @ SEA LEVEL
- 3. WORKING TEMPERATURE: -55°C ~ +125°C
- 4 MATERIAL:  
 CONTACT : COPPER ALLOY  
 SHELL : COPPER ALLOY  
 INSULATOR : PEEK  
 O RING : SILICON RUBBER
- 5 FINISH  
 CONTACT: GOLD OVER NICKEL  
 SHELL : BLACK CHROMIUM
- 6. WATER PROOF: 1M IMMERSION.
- 7 ALL TOLERANCES ±0.20MM UNLESS NOTED.

CHROMIUM-BLACK	THREE	SOLDERING	2.54	∅0.5	12.85	∅14	M14X1	∅19	3	2221611-3
CHROMIUM-BLACK	DOUBLE	SOLDERING	2.54	∅0.5	12.85	∅14	M14X1	∅19	3	2221611-2
CHROMIUM-BLACK	SINGLE	SOLDERING	2.54	∅0.5	12.85	∅14	M14X1	∅19	3	2221611-1
FINISH	POLARIZATION	TERMINATION	N	d	L±0.50	T	M THREAD	D	SHELL SIZE	TE PART NUMBER

THIS DRAWING IS A CONTROLLED DOCUMENT.

DWN	MANJUNATH_GM	04DEC2012
CHK	R. GROSS	04DEC2012
APVD	R. GROSS	04DEC2012
PRODUCT SPEC		
APPLICATION SPEC		
WEIGHT		

**TE** TE Connectivity

CIRCULAR HD RECEPTACLE WITH SOCKET CONTACTS  
 JAM NUT, FRONT MOUNTING, STRAIGHT PCB

SIZE	A2	CAGE CODE	00779	DRAWING NO	C=2221611	RESTRICTED TO	-
SCALE	2:1	SHEET	1 of 1	REV	C		

CUSTOMER DRAWING