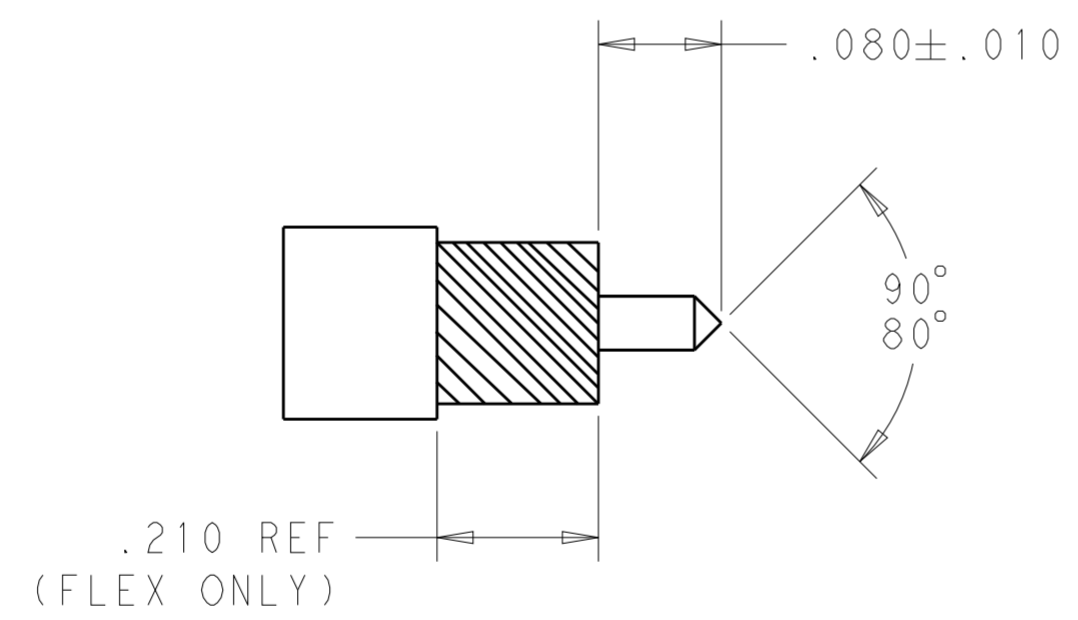
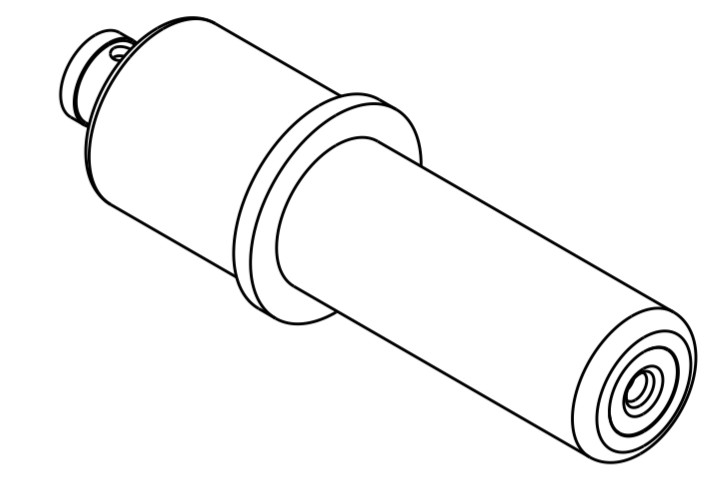
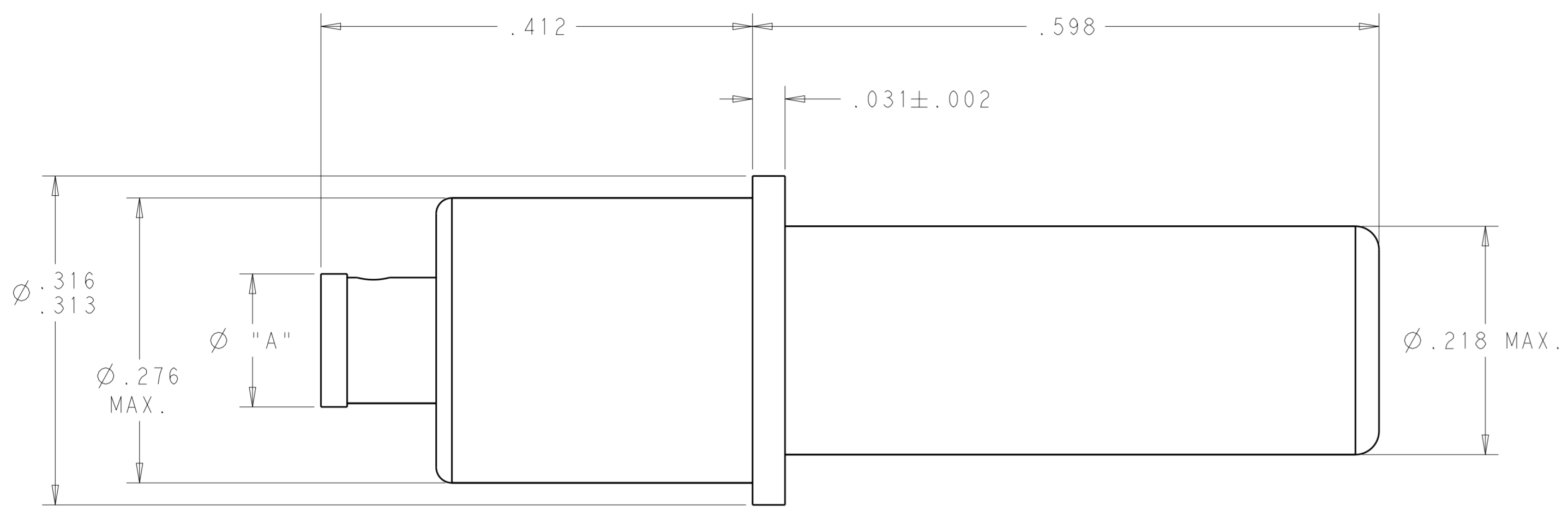


THIS DRAWING IS UNPUBLISHED. RELEASED FOR PUBLICATION 20
 © COPYRIGHT 20 BY - ALL RIGHTS RESERVED.

LOC	DIST	REVISIONS			
P	LTR	DESCRIPTION	DATE	DWN	APVD
-	-	1 PRELIMINARY	09SEP2012	DHW	-
-	-	2 -2 ADDED	25FEB2013	RJM3	DHW
-	-	3 ADDED CABLE STRIP VIEW	5-29-13	CT	DW



SCALE: NTS

DIELECTRIC	PTFE PER ASTM D1457	N/A
HOUSING REAR HOUSING	BRASS PER ASTM B16	GOLD PLATE PER MIL-DTL-45204
CENTER CONTACT	BERYLLIUM COPPER PER ASTM B196, ALLOY C17300, COND. H	GOLD PLATE PER MIL-DTL-45204
COMPONENT	MATERIAL	FINISH

THIS PRINT IS
PRELIMINARY
 UNQUALIFIED PRODUCT CONTACT PRODUCT ENGINEERING BEFORE USING THIS PRINT

THIS DRAWING IS A CONTROLLED DOCUMENT.		DWN D. WILSON	09SEP2012		TE Connectivity		
DIMENSIONS: INCHES	TOLERANCES UNLESS OTHERWISE SPECIFIED:	CHK	APVD		NAME COAX PIN CONTACT ASSEMBLY REAR RELEASE, SIZE 8		
0 PLC ±-	1 PLC ±.1	PRODUCT SPEC	APVD	SIZE	CAGE CODE	DRAWING NO	RESTRICTED TO
2 PLC ±.02	3 PLC ±.005	APPLICATION SPEC	APVD	A2	00779	C-2221448	-
4 PLC ±.0005	ANGLES ±2	TBD	WEIGHT	SCALE 4:1		SHEET 1 OF 1	REV 3
MATERIAL	FINISH	Customer Drawing					

.180	ALPEN A40	.144 MIN.	2221448-2
.127	RG405	.089 MIN	2221448-1
DIM. "A"	CABLE	CABLE ENTRY	PART NUMBER