

THIS DRAWING IS UNPUBLISHED.

RELEASED FOR PUBLICATION

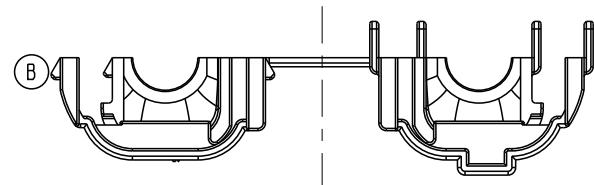
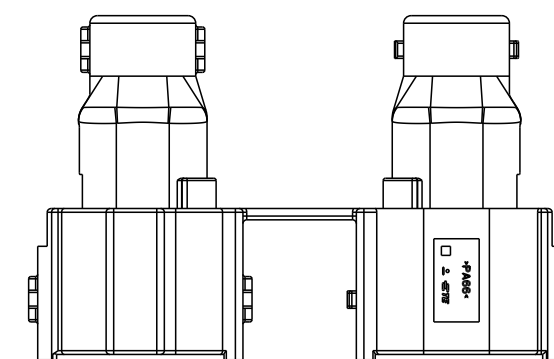
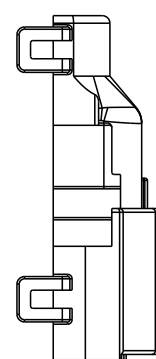
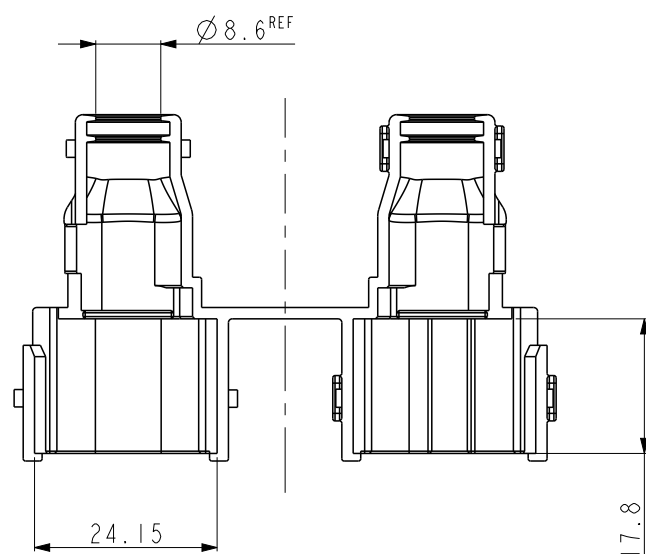
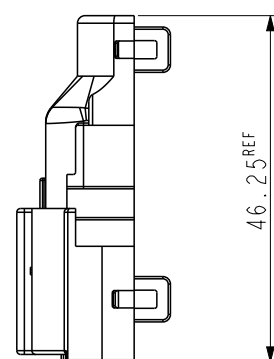
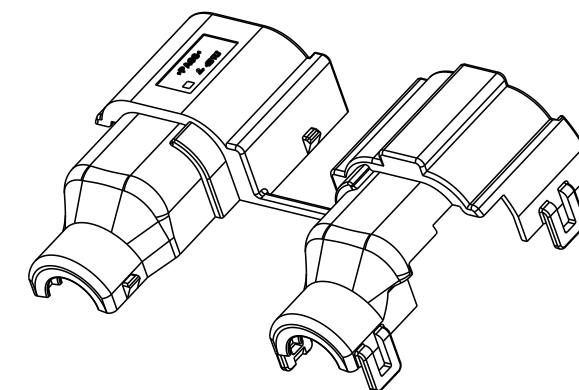
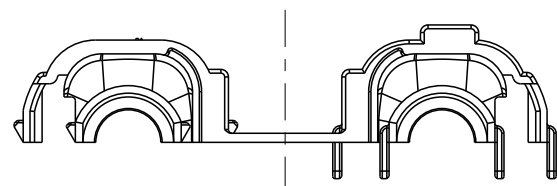
20

© COPYRIGHT 20 BY -

ALL RIGHTS RESERVED.

REVISIONS

P	LTR	DESCRIPTION	DATE	DWN	APVD
	A	RELEASED	19.NOV.'15	SJ	HG
	B	REVISED(ECR-18-009384)	18JUN2018	TY	YJ



NOTE.

- 1. GENERAL TOLERANCE : ±0.3, ±3°
- 2. APPLICABLE MATE PART NO : 1897168

I	BLACK	PA66	WIRE COVER HSG	2219604-2
NO	COLOR	MATERIAL	DESCRIPTION	P/N

THIS DRAWING IS A CONTROLLED DOCUMENT.

DIMENSIONS: mm		TOLERANCES UNLESS OTHERWISE SPECIFIED:	
		0 PLC	±
		1 PLC	±
		2 PLC	±
		3 PLC	±
		4 PLC	±
MATERIAL		FINISH	

DWN	SJ CHOI
CHK	JW JUNG
APVD	HG CHO
PRODUCT SPEC	-
APPLICATION SPEC	-
WEIGHT	-
CUSTOMER DRAWING	

TE Connectivity			
NAME			
WIRE COVER HSG FOR 0.64MM SLD 10P PLUG			
SIZE	CAGE CODE	DRAWING NO	RESTRICTED TO
A3	00779	C-2219604	-
SCALE		SHEET	OF
		1	1
		REV	B