

4

3

2

1

THIS DRAWING IS UNPUBLISHED.

RELEASED FOR PUBLICATION

20

© COPYRIGHT 20

BY -

ALL RIGHTS RESERVED.

REVISIONS

P	LTR	DESCRIPTION	DATE	DWN	APVD
	A	RELEASE	20. JUN '16	CJ	GC

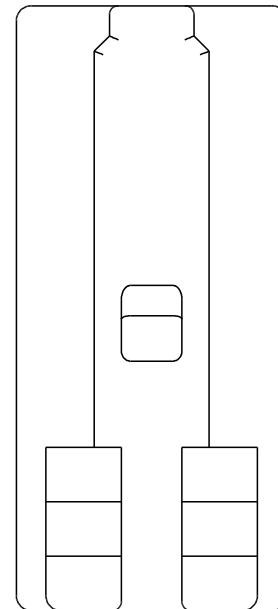
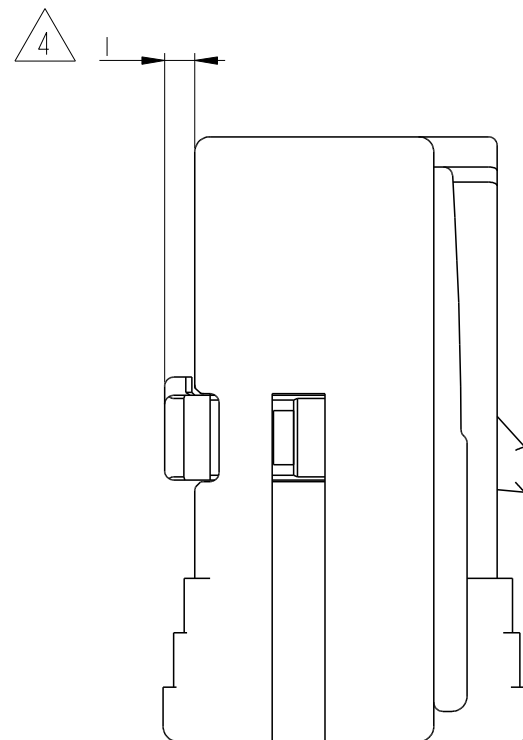
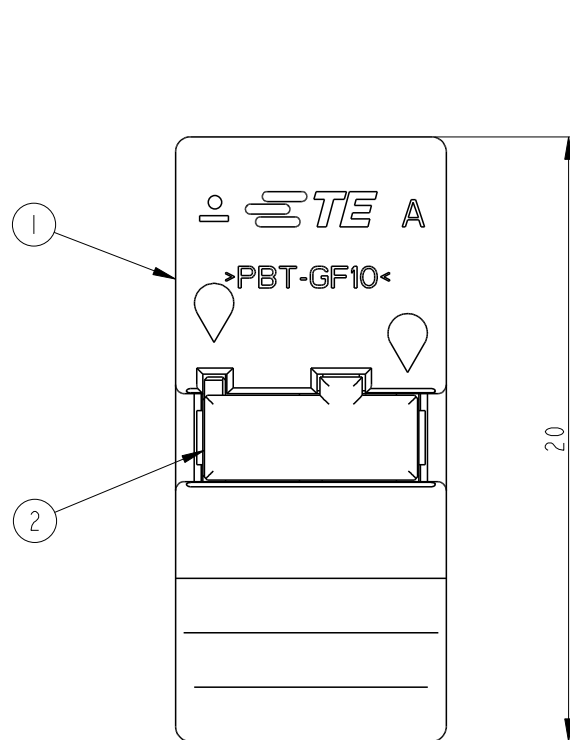
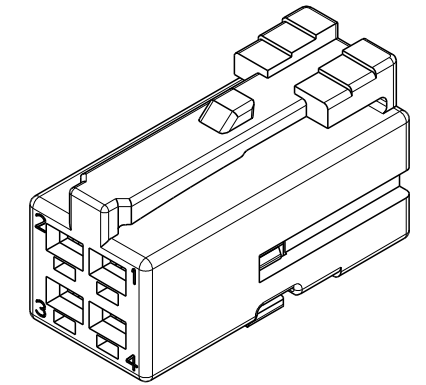
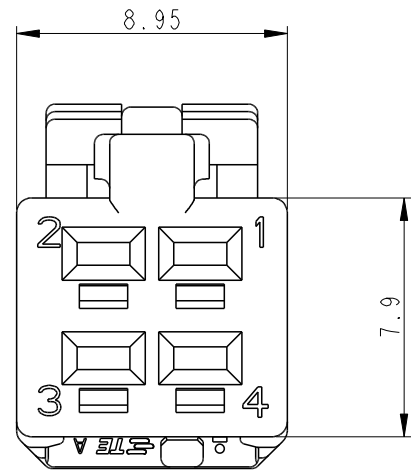


TABLE 1. APPLICABLE REC. CONTACT.

TAB	PART NO.	WIRE RANGE (mm) ²	INSULATION DIA. (mm) (FLR)	FINISH
060	2109006-1	0.22~0.35	1.0~1.5	PRE-TIN
	2109006-2	0.5~0.75	1.4~1.9	
	2109006-3	0.85~1.25	1.8~2.4	

NOTE ;

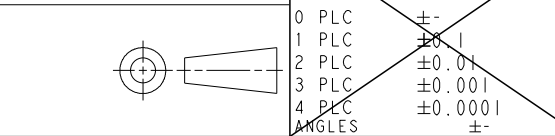
- 1. GENERAL TOLERANCE : ±0.3
- 2. THE MATING HEADER HSG ASS'Y P/N : 2219499-2
- 3. APPLICABLE REC. CONTACT : SEE TABLE
- 4. DBL SUPPLY CONDITION : 1'ST LOCKING.

NO	COLOR	MATERIAL	DESCRIPTION	P/NO	QTY
2	NATURAL	PBT-GF10	PLUG DBL	2219503-1	1
1	BLACK	PBT-GF10	PLUG HSG	2219502-2	1

2219501-2
PLUG ASS'Y FOR HYB36P
ASS'Y P/N
DESCRIPTION

THIS DRAWING IS A CONTROLLED DOCUMENT.

DIMENSIONS: mm



MATERIAL - FINISH -

DWN - CJ CHOI
CHK - GC KWON
APVD - GC KWON
PRODUCT SPEC -
APPLICATION SPEC -
WEIGHT -

STE TE Connectivity

NAME: REC PLUG ASS'Y FOR HYB 36P(Nano MQS 32P+060 4P) HEADER ASS'Y

SIZE: A3 CAGE CODE: 00779 DRAWING NO: C=2219501 RESTRICTED TO: -

CUSTOMER DRAWING SCALE 4:1 SHEET 1 OF 1 REV A

D
C
B
A