

4

3

2

1

THIS DRAWING IS UNPUBLISHED.

RELEASED FOR PUBLICATION

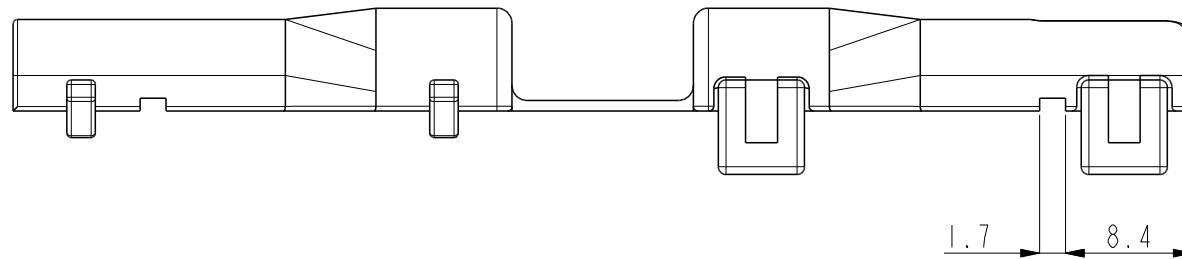
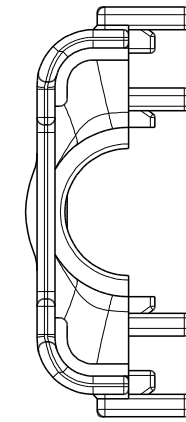
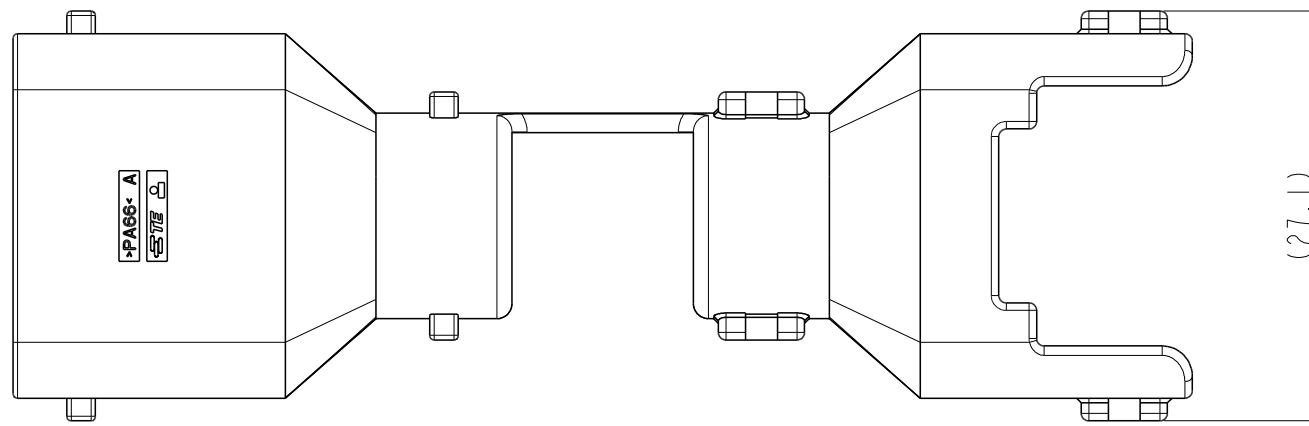
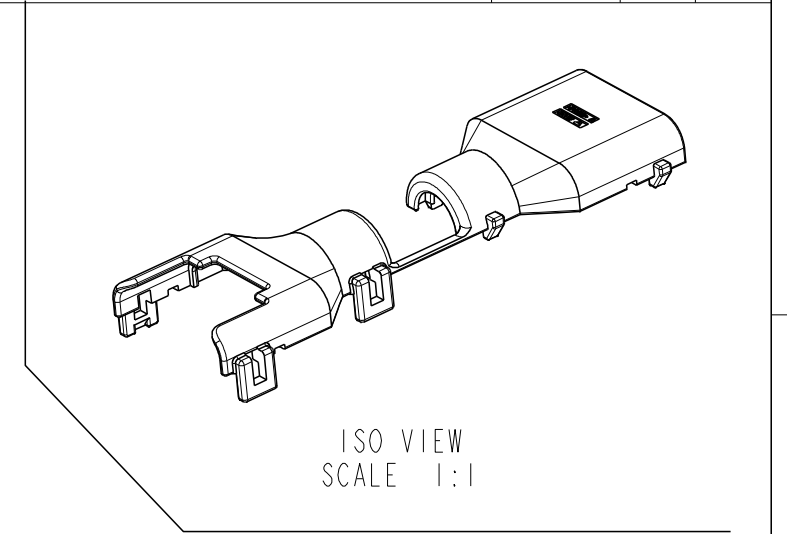
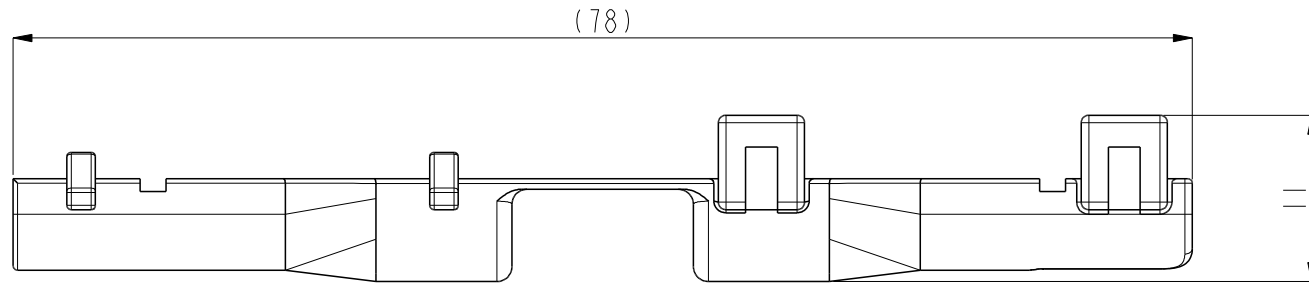
20

© COPYRIGHT 20

ALL RIGHTS RESERVED.

REVISIONS

P	LTR	DESCRIPTION	DATE	DWN	APVD
	A	RELEASE	24.JUL.15	SM	HG



- NOTE :
1. GENERAL TOLERANCE : $\pm 0.3, \pm 3.0^\circ$
 2. ALLIED CONNECTOR ASS'Y : 1897725-2, 1-1897725-3
 3. CORRUGATE TUBE : $\varnothing 7$

I	BLACK	PA66	COVER HSG	2219418-2
NO	COLOR	MATERIAL	DESCRIPTION	P/N

THIS DRAWING IS A CONTROLLED DOCUMENT.

DIMENSIONS:	TOLERANCES UNLESS OTHERWISE SPECIFIED:
mm	
	0 PLC $\pm .1$
	1 PLC $\pm .1$
	2 PLC ± 0.01
	3 PLC ± 0.001
	4 PLC ± 0.0001
	ANGLES $\pm .1$

MATERIAL - FINISH -

DWN	SM LEE	 TE Connectivity			
CHK	KT LIM				
APVD	HG CHO				
PRODUCT SPEC	-				
APPLICATION SPEC	-	CAP HSG COVER FOR MT-11 SEALED 10P			
WEIGHT	-	SIZE	CAGE CODE	DRAWING NO	RESTRICTED TO
CUSTOMER DRAWING	-	A3	00779	©-2219418	-
SCALE		2:1	SHEET	1 OF 1	REV
					A

D

C

B

A