

THIS DRAWING IS UNPUBLISHED.

RELEASED FOR PUBLICATION

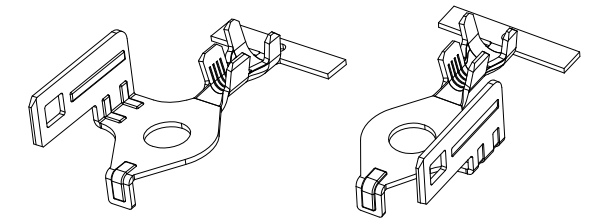
20

© COPYRIGHT 20 BY -

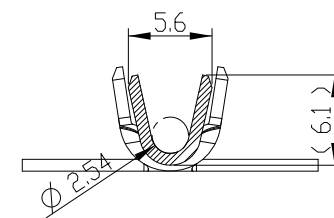
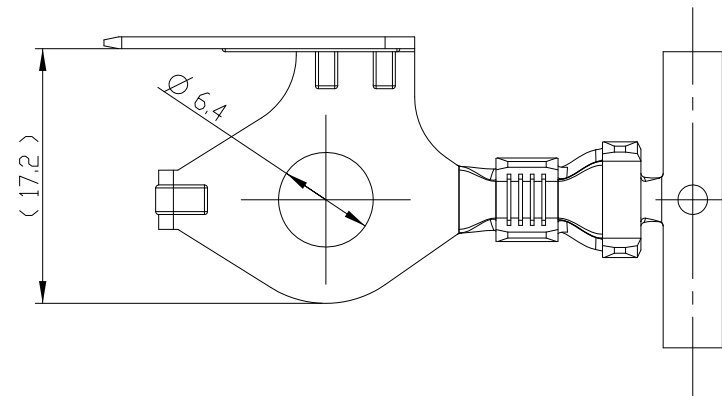
ALL RIGHTS RESERVED.

REVISIONS

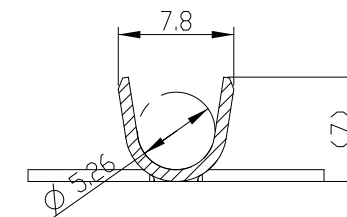
P	LTR	DESCRIPTION	DATE	DWN	APVD
	A	RELEASED	13.AUG'15	SH	HG



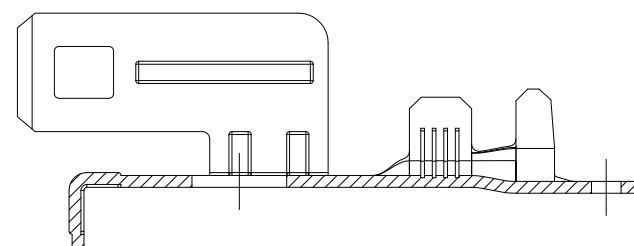
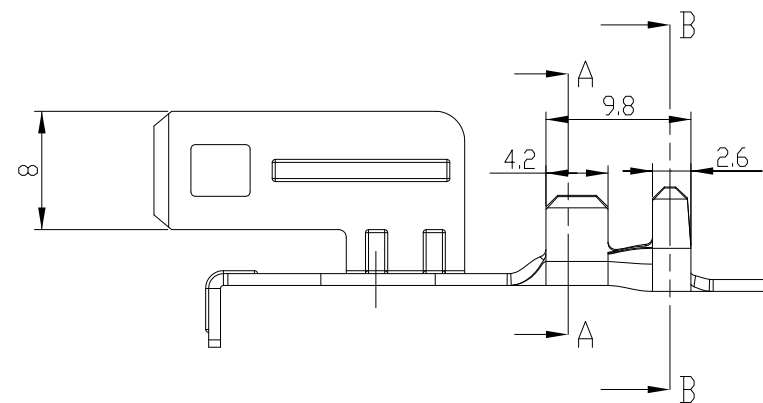
SCALE 1:1



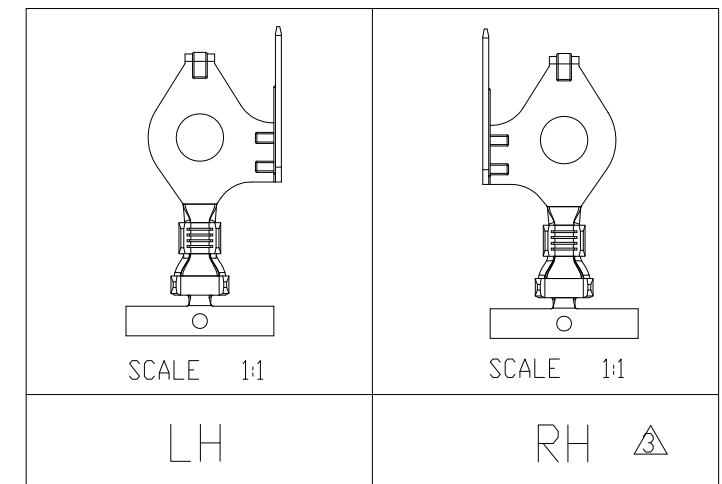
SECTION A-A



SECTION B-B



SECTION C-C



NOTE

1. GENERAL TOLERANCE: ±0.3, ±3°
2. DRAWING SHOWS THE "LH "
- △ RH IS SYMMETRICAL SHAPE OF LH.
4. WIRE RANGE : 3.0 mm<sup>2</sup>  
INSULATION DIA : 3.6~3.8 DIA
5. PITCH: 30.0mm

PRE-TINNED	BRASS/ THK 0.8	EARTH TM'L(RH)	2-2219342-1
PRE-TINNED	BRASS/ THK 0.8	EARTH TM'L(LH)	1-2219342-1
FINISH	MATERIAL	DESCRIPTION	P/N

THIS DRAWING IS A CONTROLLED DOCUMENT.

DIMENSIONS:	TOLERANCES UNLESS OTHERWISE SPECIFIED
mm	
	±
	±
	±
	±
	±
ANGLES	±
FINISH	-

DWN	SH JANG
CHK	KT LIM
APVD	HG CHO
PRODUCT SPEC	-
APPLICATION SPEC	114-61078
WEIGHT	-
CUSTOMER DRAWING	

TE Connectivity			
NAME EARTH TERMINAL			
SIZE	CAGE CODE	DRAWING NO	RESTRICTED TO
A3	00779	C-2219342	-
SCALE 2/1		SHEET 1 OF 1	REV A