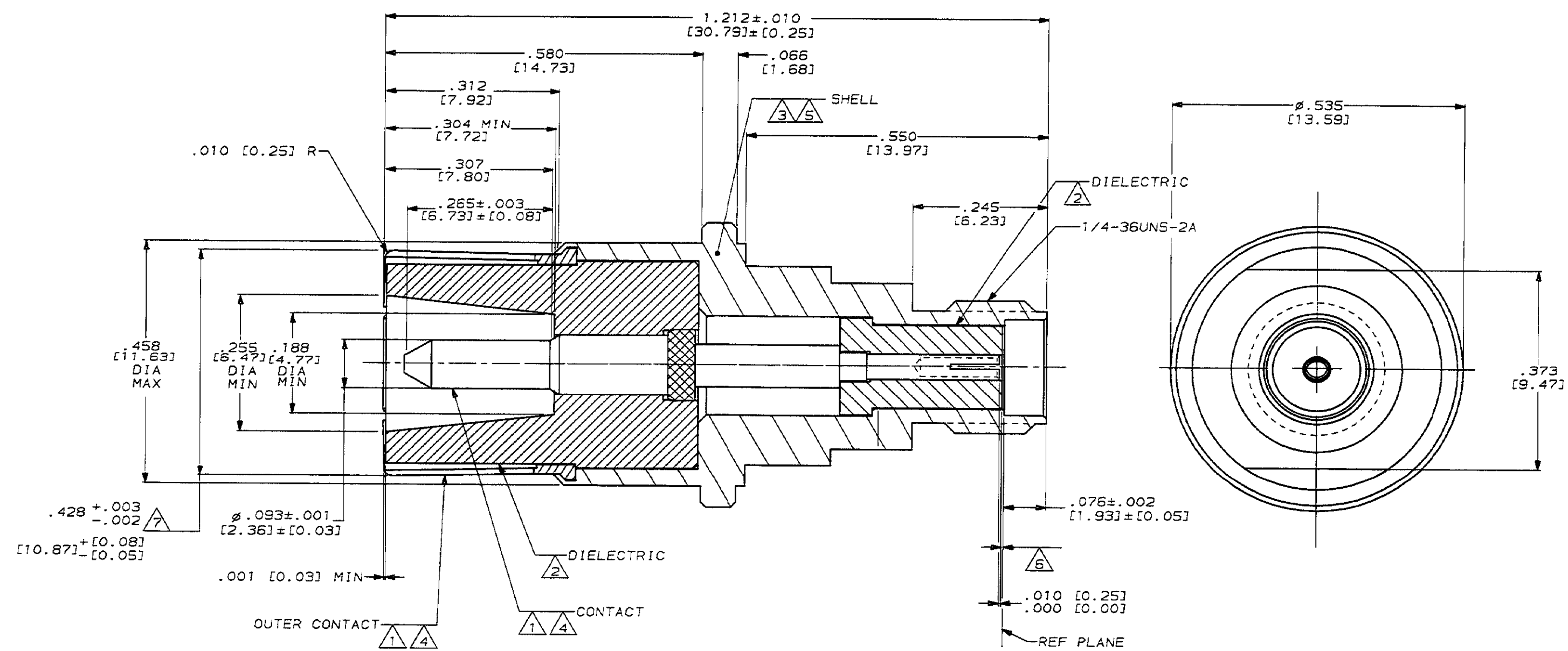


PROJ	LOC	DTBY	REV	ZONE	LTR	DESCRIPTION	DATE
3321	DF	XO				DRAW PER 3-035F JAB	C.S. 7



- ① BERYLLIUM COPPER PER ASTM B 196
- ② PTFE PER ASTM D 1710
- ③ STAINLESS STEEL PER ASTM-A-582
- ④ GOLD PL PER MIL-G-45204
- ⑤ PASSIVATED PER QQ-P-35
- ⑥ DIELECTRIC, MAX PROJECTION .002, .010 MAX RECESSION
- ⑦ FLARE TO MEET OUTER CONTACT GAGE TEST PER MIL-C-39012/15

THIS DRAWING IS A CONTROLLED DOCUMENT FOR AMP INCORPORATED. IT IS SUBJECT TO CHANGE AND THE CONTROLLING ENGINEERING ORGANIZATION SHOULD BE CONTACTED FOR THE LATEST REVISION.

DO NOT SCALE PRINT. UNLESS SPECIFIED DIMENSIONS IN INCHES (MM) TOLERANCES ON : 2 PLC DEC ± - 3 PLC DEC ± .005 (0.13) ANGLES ± -		DR 7-27-93 J.A. BAKER	AMP AMP Incorporated Harrisburg, PA 17105-3608
MATERIAL ① THRU ③		CHK 7-27-93 C. SHELLY	
FINISH ④ THRU ⑤		APPD 7-27-93 C. SHELLY	NAME ADAPTER, ARINC PLUG AND SMA JACK
APPLIC. SPEC		APPD 7-27-93 C. SHELLY	SIZE D
WEIGHT		PRODUCT SPEC	CAGE CODE 00779
		SCALE 8:1	DRAWING NO C-221597
			SHEET 1 OF 1

221597-1  
PART NO