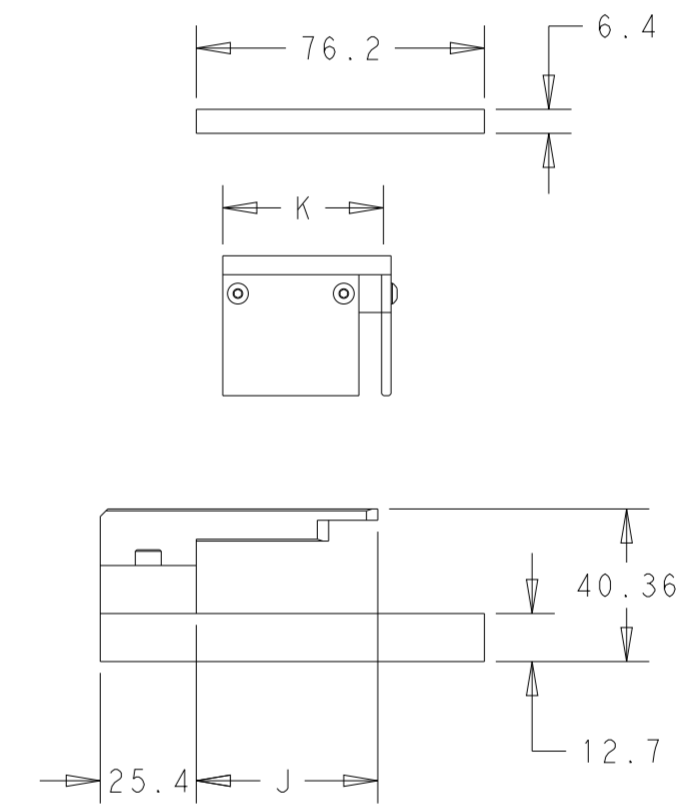
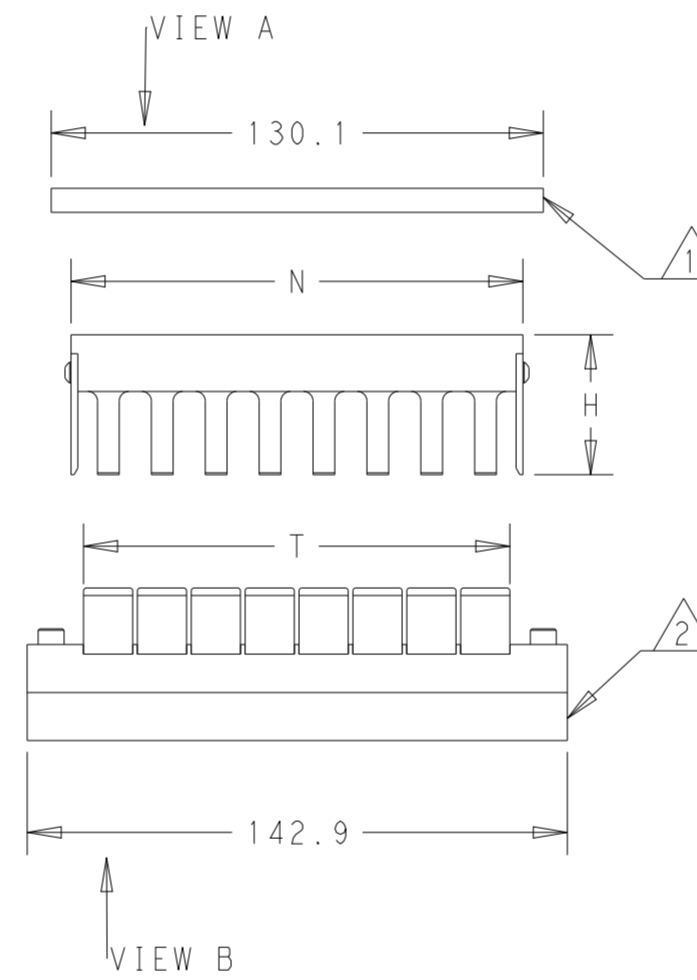
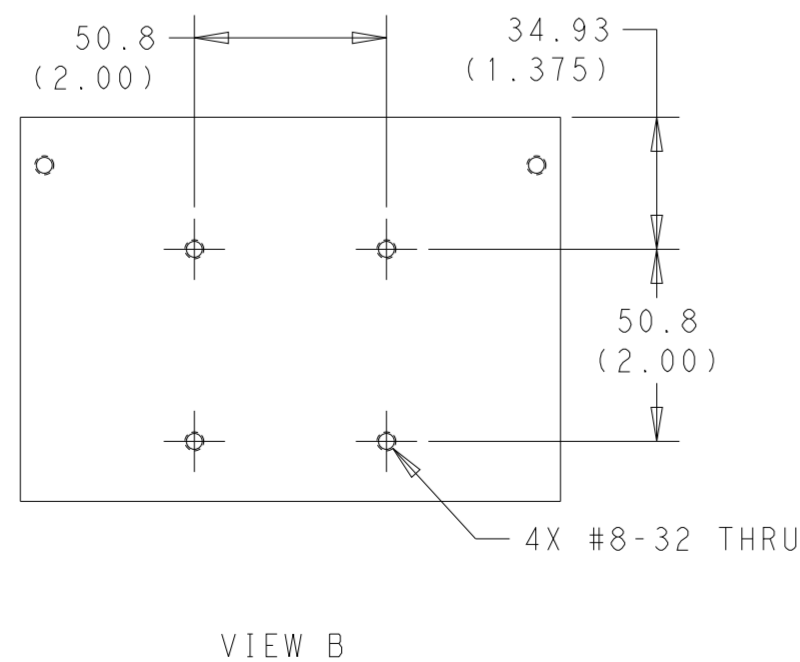
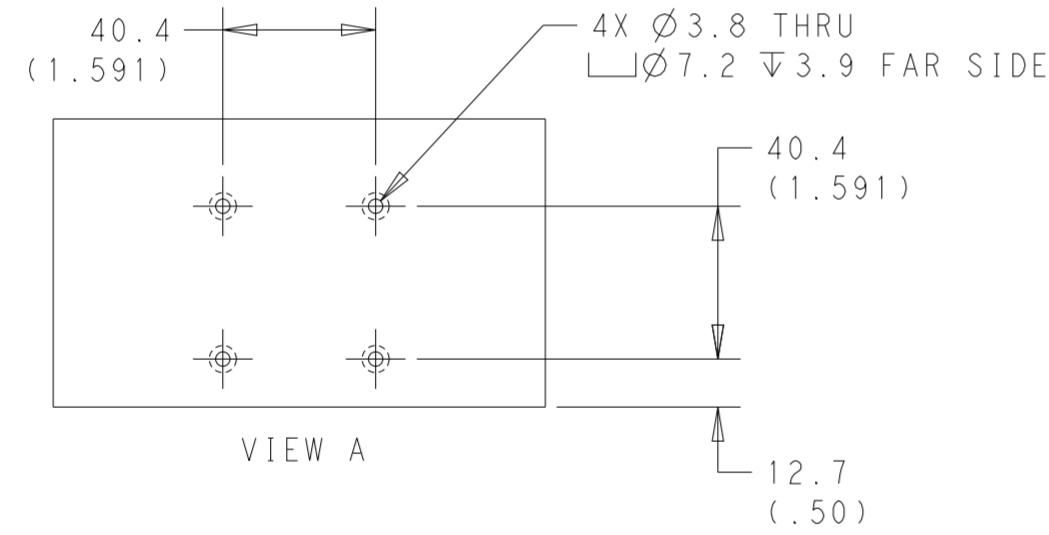


© 2020 TE Connectivity. All Rights Reserved.

PART NUMBER	REV	FIRST USED	N	T	H	J	K	SIZE
2215067-1	D	2170509-1	91	84.25	37	48	42.5	1X6
2215067-2	D	1367629-2	19.75	13	37	48	42.5	1X1
2215067-3	D	-	34	27.25	37	48	42.5	1X2
2215067-4	D	-	48.25	41.5	37	48	42.5	1X3
2215067-5	D	-	62.5	55.75	37	48	42.5	1X4
2215067-6	D	-	76.75	70	37	48	42.5	1X5
2215067-7	D	-	105.25	98.5	37	48	42.5	1X7
2215067-8	D	-	119.5	112.75	37	48	42.5	1X8
2215067-9	D	2198243-6	62.5	55.75	37	48	42.5	1X4
1-2215067-0	D	2291634-3	19.75	13	42	48	42.5	1X1
1-2215067-1	D	2297551-1	19.75	13	37	56	52.5	1X1
1-2215067-2	D	2297535-1	34	27.25	37	56	52.5	1X2
1-2215067-3	D	2297549-1	48.25	41.5	37	56	52.5	1X3
1-2215067-4	D	2297550-1	62.5	55.75	37	56	52.5	1X4
1-2215067-5	D	2304921-1, 2349975-2	121	112.75	37	48	42.5	1X8
1-2215067-6	D	2349975-1	121	112.75	37	48	47.5	1X8
1-2215067-7	D	2309976-1	63.5	55.75	37	48	42.5	1X4
1-2215067-8	D	2364488-3, -4, 2375273-2	121	112.75	37	48	58	1X8
1-2215067-9	D	2359629-1, -2	121	112.75	37	48	63	1X8
2-2215067-0	D	2375273-1	121	112.75	40	48	58	1X8
2-2215067-1	D	2372286-1	91.62	84.25	37	48	42.5	1X6
2-2215067-2	D	2324567-1	48.87	41.5	37	48	42.5	1X3
2-2215067-3	D	2481259-1, 2302014-1	121	112.75	37	48	42.5	1X8

REVISIONS					
P	LTR	DESCRIPTION	DATE	DWN	APVD
D1		ECR-20-009780 ADD -20	06JUL2020	DC	JM
D2		ECR-20-011447 UPDATED FAMILY TABLE	23JUL2020	DC	JM
D3		ADD-21 AND -22	27OCT2023	WZ	-
D4		ADD-23	07MAR2024	WZ	-

NOTE:
 1 TOP PUSH PLATE, SEE VIEW A FOR THE MOUNTING HOLE SPEC.
 2 BASE PLATE, SEE VIEW B FOR THE MOUNTING HOLE SPEC.
 3. TOP PUSH PLATE AND BASE PLATE ARE DESIGNED TO USE ON ARBOR FRAME ASSEMBLY 58024-1.



THIS DRAWING IS A CONTROLLED DOCUMENT.		DWN C. ZHU	26FEB2015	STE TE Connectivity	
DIMENSIONS: mm		CHK E. PRICE	5MAR2015		
TOLERANCES UNLESS OTHERWISE SPECIFIED:		APVD V.L	26FEB2015	NAME ASSY EXTRACTION TOOL	
0 PLC ± 1 PLC ± 2 PLC ± 3 PLC ± 4 PLC ± ANGLES ±		PRODUCT SPEC SEE TABLE		SIZE CAGE CODE DRAWING NO A200779 C-2215067	
FINISH		APPLICATION SPEC		RESTRICTED TO	
MATERIAL		WEIGHT		SCALE 1:2 SHEET 1 OF 1 REV D4	
		CUSTOMER DRAWING			