


THIS DRAWING IS UNPUBLISHED. RELEASED FOR PUBLICATION 20
 © COPYRIGHT 20 BY - ALL RIGHTS RESERVED.

REVISIONS

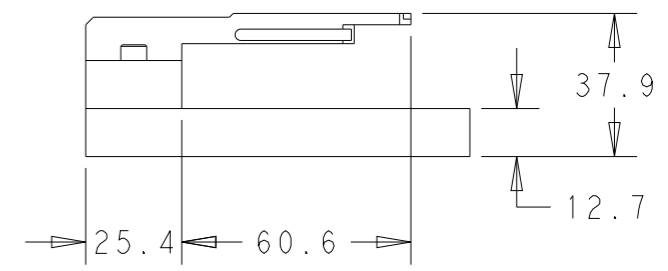
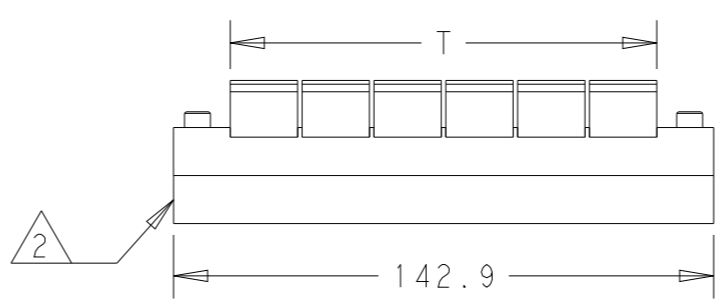
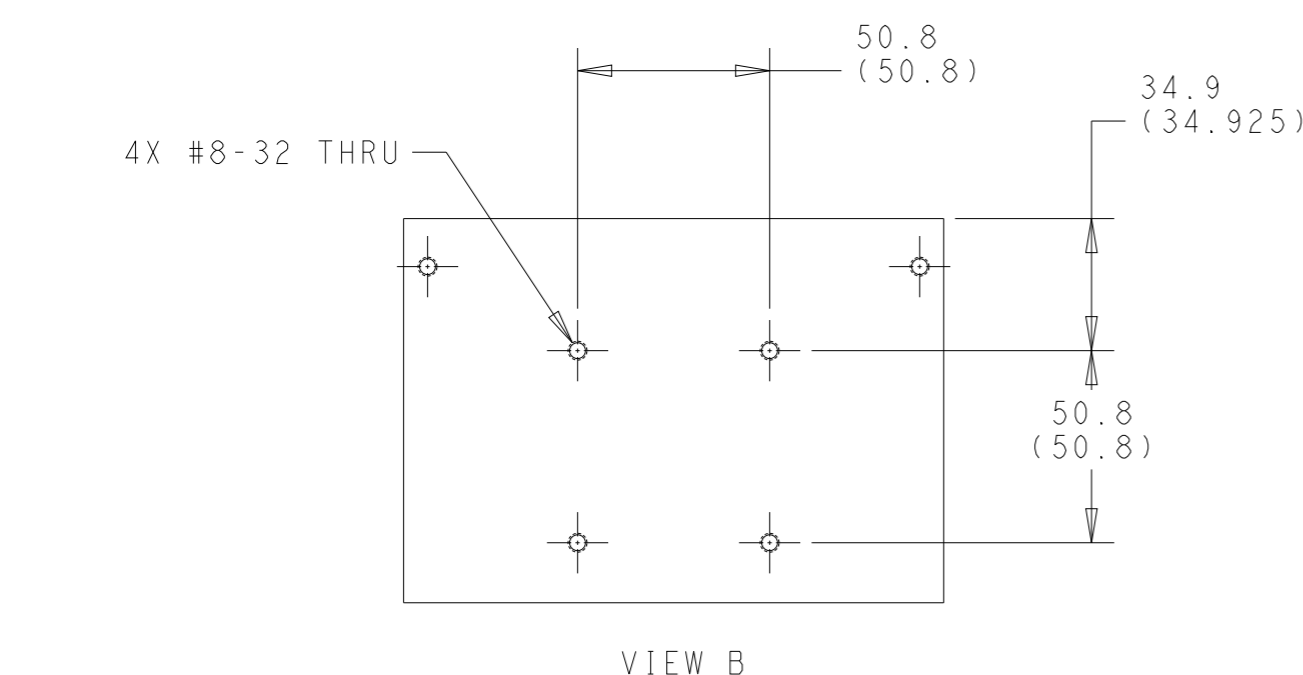
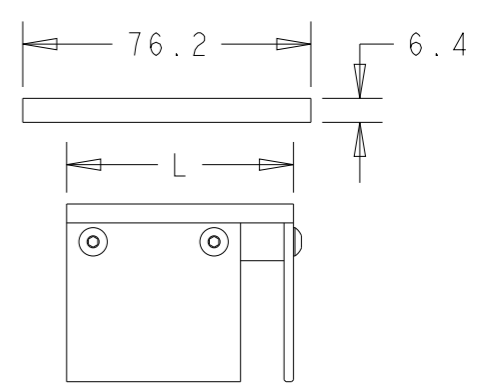
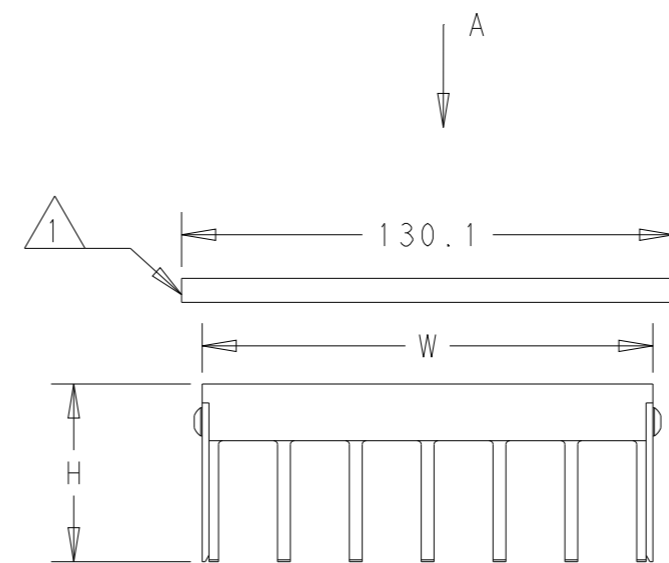
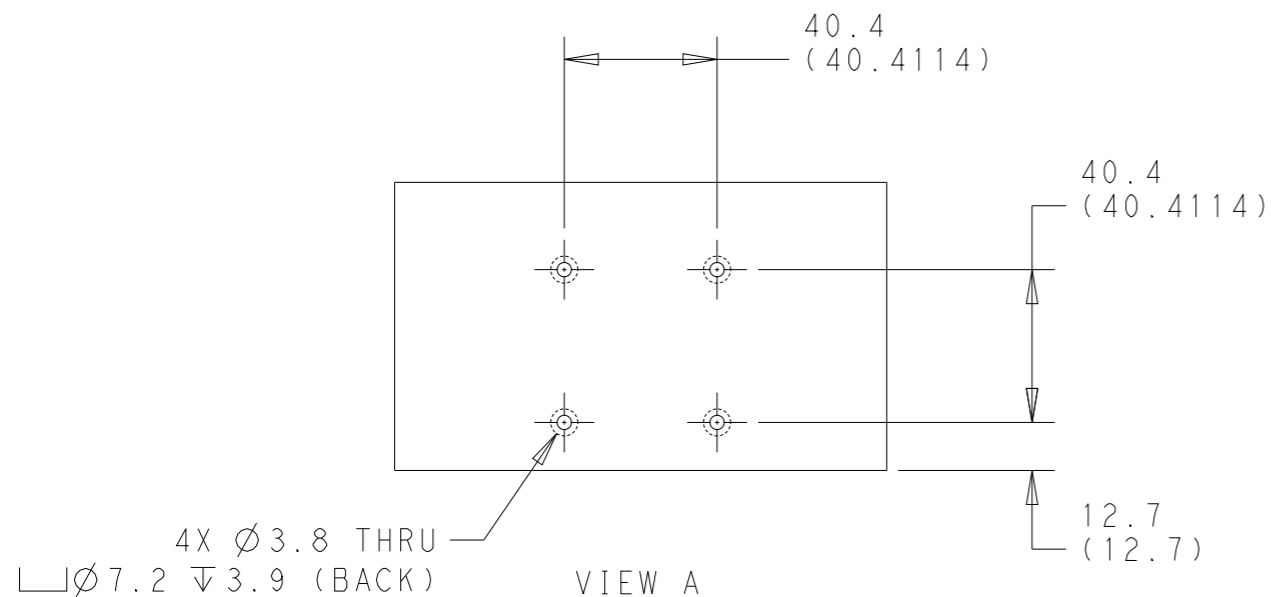
P	LTR	DESCRIPTION	DATE	DWN	APVD
	C2	ADD -44	21JUL2021	DC	BB
	C3	ADD -45	28MAR2023	EC	-
	C4	ADD -46, -47 AND -48	26MAY2023	WZ	-
	C5	ADD-49 AND -50	27NOV2023	WZ	-


PART NUMBER	REV	FIRST USED	L	T	W	H	SIZE
2215056-1	C	2170752-*, 2170753-*, 2170754-*, 1551892-*	53.4	17.8	24.2	47	1X1 GASKET
2215056-2	C	2170811-*, 2170812-*, 2170813-*, 2170814-*, 2170822-1	53.4	36.8	43.2	47	1X2 GASKET
2215056-3	C	2170767-*, 2170768-*, 2170769-*, 2170774-1	53.4	55.8	62.2	47	1X3 GASKET
2215056-4	C	2170782-*, 2170783-*, 2170784-*, 2170785-*, 2170775-*	53.4	74.8	81.2	47	1X4 GASKET
2215056-5	C	-	53.4	93.8	100.2	47	1X5 GASKET
2215056-6	C	2170722-*, 2170723-*, 2170724-*	53.4	112.8	119.2	47	1X6 GASKET
1-2215056-1	C	2170703-*, 2170704-*, 2170705-*, 2170773-*	60	17.8	24.2	47	1X1 SPRING
1-2215056-2	C	2170805-*, 2170806-*, 2170807-*, 2170808-*	60	36.8	43.2	47	1X2 SPRING
1-2215056-3	C	2170737-*, 2170738-*, 2170739-*, 2170740-*, 2289708-*	60	55.8	62.2	47	1X3 SPRING
1-2215056-4	C	2170744-*, 2170745-*, 2170746-*, 2170747-*, 2170790-*, 2314176-1(2314175-1)	60	74.8	81.2	47	1X4 SPRING
1-2215056-5	C	-	60	93.8	100.2	47	1X5 SPRING
1-2215056-6	C	2170706-*, 2170707-*, 2170708-*, 2170734-*	60	112.8	119.2	47	1X6 SPRING
2-2215056-1	C	2320724-1, 2320724-2	53.4	93.8	100.2	47	1X5 SPECIAL
2-2215056-2	C	2312220-2	53.4	17.8	24.2	47	1X1 GASKET
3-2215056-1	C	2342933-*, 2342934-*	65	17.8	24.2	47	1X1 QSFP DD
3-2215056-2	C	2342935-*, 2342936-*, 2357659-1, -2, -3, -4	65	36.8	43.2	47	1X2 QSFP DD
3-2215056-3	C	-	65	55.8	62.2	47	1X3 QSFP DD
3-2215056-4	C	-	65	74.8	81.2	47	1X4 QSFP DD
3-2215056-5	C	-	65	93.8	100.2	47	1X5 QSFP DD
3-2215056-6	C	-	65	112.8	119.2	47	1X6 QSFP DD
3-2215056-7	C	2342934-9, 1-2342934-0	65	17.8	26	47	1X1 QSFP DD
3-2215056-8	C	2359309-1	53.4	17.8	24.2	47	1X1 QSFP DD
3-2215056-9	C	2354751-1	65	17.8	24.2	47	1X1 QSFP DD
4-2215056-0	C	2328508-5	65	36.8	43.2	50	1X2 QSFP DD
4-2215056-1	C	2375132-2, -3	65	55.8	62.2	47	1X3 QSFP DD
4-2215056-2	C	2337376-1	53.4	17.8	24.2	47	1X1 QSFP 28
4-2215056-3	C	2355966-3	53.4	36.8	43.2	47	1X2 QSFP 28
4-2215056-4	C	2386795-1, -2, -3, -11, -12, -13, 2385800-1	53.4	17.8	24.2	47	1X1
4-2215056-5	C	2388275-2, -3	65	55.8	62.2	53	1X3 QSFP DD
4-2215056-6	C	2420811-2	53.4	17.8	25.5	50	1X1 QSFP LP
4-2215056-7	C	2304807-3	53.4	17.8	24.2	37	1X1 SFP 28
4-2215056-8	C	2386218-3	53.4	36.8	43.2	47	1X2 QSFP112
4-2215056-9	C	2452626-1	65	74.8	81.2	47	1X4 QSFP DD
5-2215056-0	C	2452787-1	65	55.8	62.2	47	1X3 QSFP DD

NOTE:
 1. TOP PUSH PLATE. SEE VIEW A FOR THE MOUNTING HOLE SPEC.
 2. BASE PLATE. SEE VIEW B FOR THE MOUNTING HOLE SPEC.
 3. TOP PUSH PLATE AND BASE PLATE ARE DESIGNED TO USED ON ARBOR FRAME ASSEMBLY 58024-1.
 4. SEE VIEW AND DIMENTION IN SHEET 2.

THIS DRAWING IS A CONTROLLED DOCUMENT.		DWN C.Z	03AUG2015	 TE Connectivity NAME ASSY EXTRACTION TOOL			
DIMENSIONS: mm		CHK V.L	03AUG2015				
TOLERANCES UNLESS OTHERWISE SPECIFIED:		APVD V.L	03AUG2015				
0 PLC ±- 1 PLC ±- 2 PLC ±- 3 PLC ±- 4 PLC ±- ANGLES ±-		PRODUCT SPEC	SEE FIRST USED				
MATERIAL		APPLICATION SPEC	-	SIZE	CAGE CODE	DRAWING NO	RESTRICTED TO
-		FINISH	-	WEIGHT	-	A300779	©-2215056
-		FINISH	-	CUSTOMER DRAWING		SCALE	1:2
				SHEET		1 OF 2	REV C5

P	LTR	DESCRIPTION	DATE	DWN	APVD
-	-	SEE SHEET 1	-	-	-



THIS DRAWING IS A CONTROLLED DOCUMENT.		DWN C.Z	03AUG2015	 TE Connectivity	
DIMENSIONS: mm		CHK V.L	03AUG2015		
TOLERANCES UNLESS OTHERWISE SPECIFIED:		APVD V.L	03AUG2015		
0 PLC ±- 1 PLC ±- 2 PLC ±- 3 PLC ±- 4 PLC ±- ANGLES ±-		PRODUCT SPEC	NAME ASSY EXTRACTION TOOL		
MATERIAL -		FINISH -		APPLICATION SPEC SEE FIRST USED	SIZE A3
-		-		WEIGHT -	CAGE CODE 00779
-		-		CUSTOMER DRAWING	DRAWING NO C-2215056
-		-		SCALE 1:2	RESTRICTED TO -
-		-		SHEET 2 OF 2	REV C5