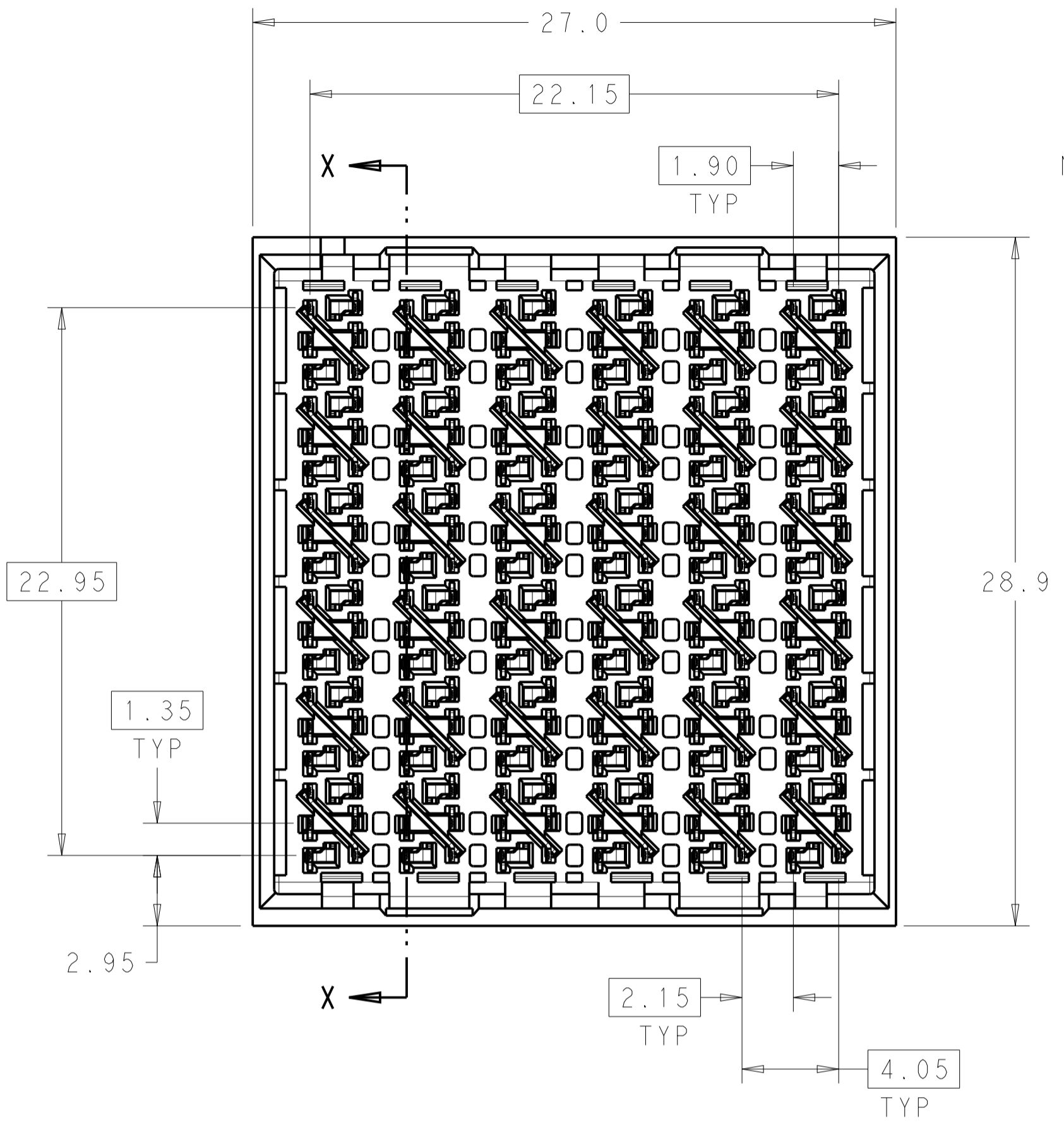
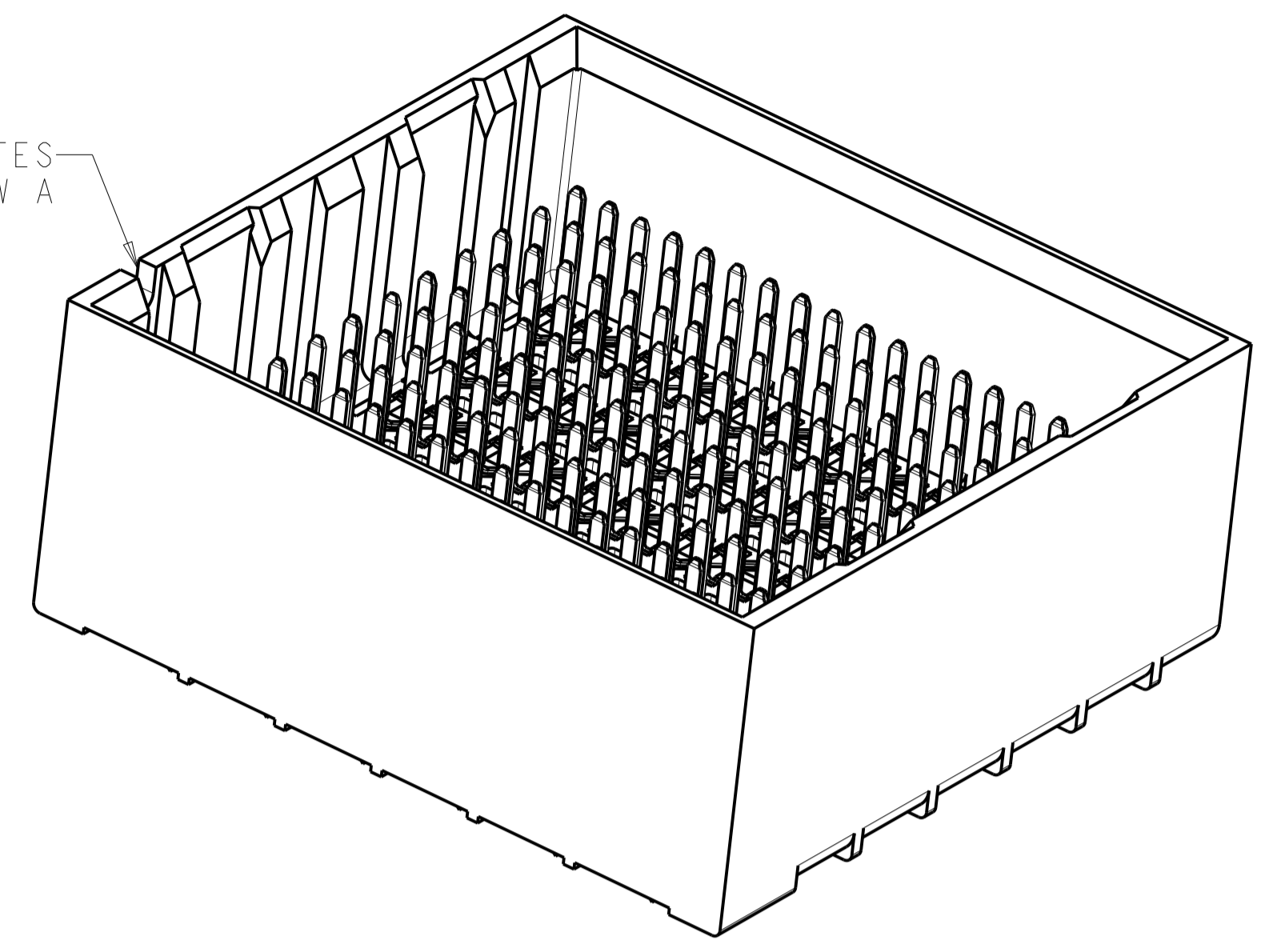


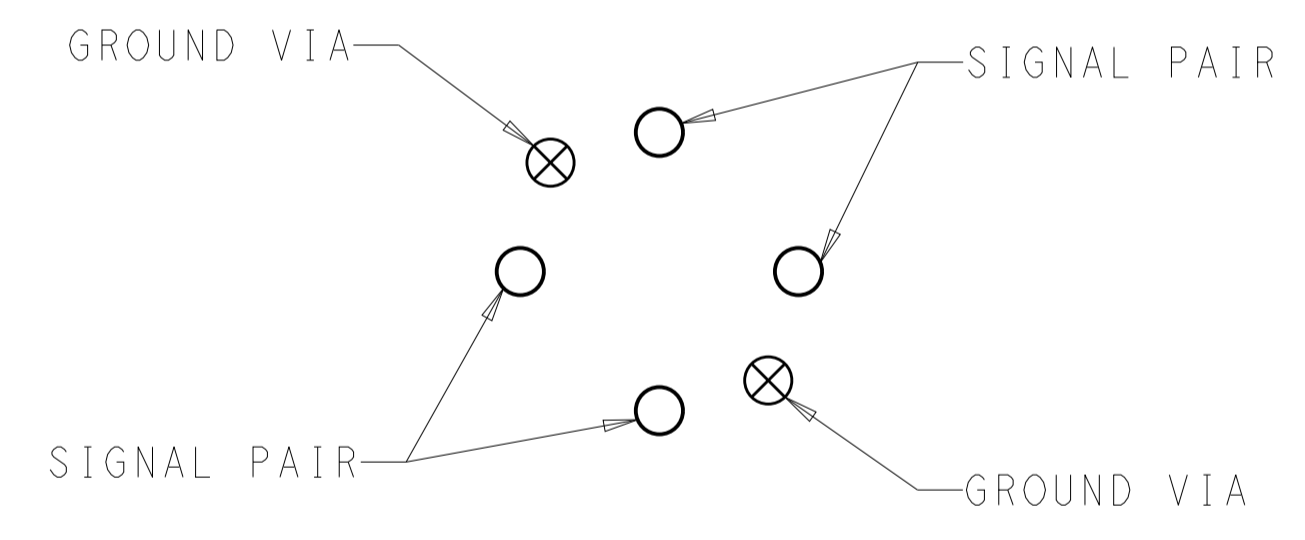
REVISIONS				
P.	LTM	DESCRIPTION	DATE	OWN APVD
C		REVISED PER ECO-14-017043	08NOV2014	AP DD



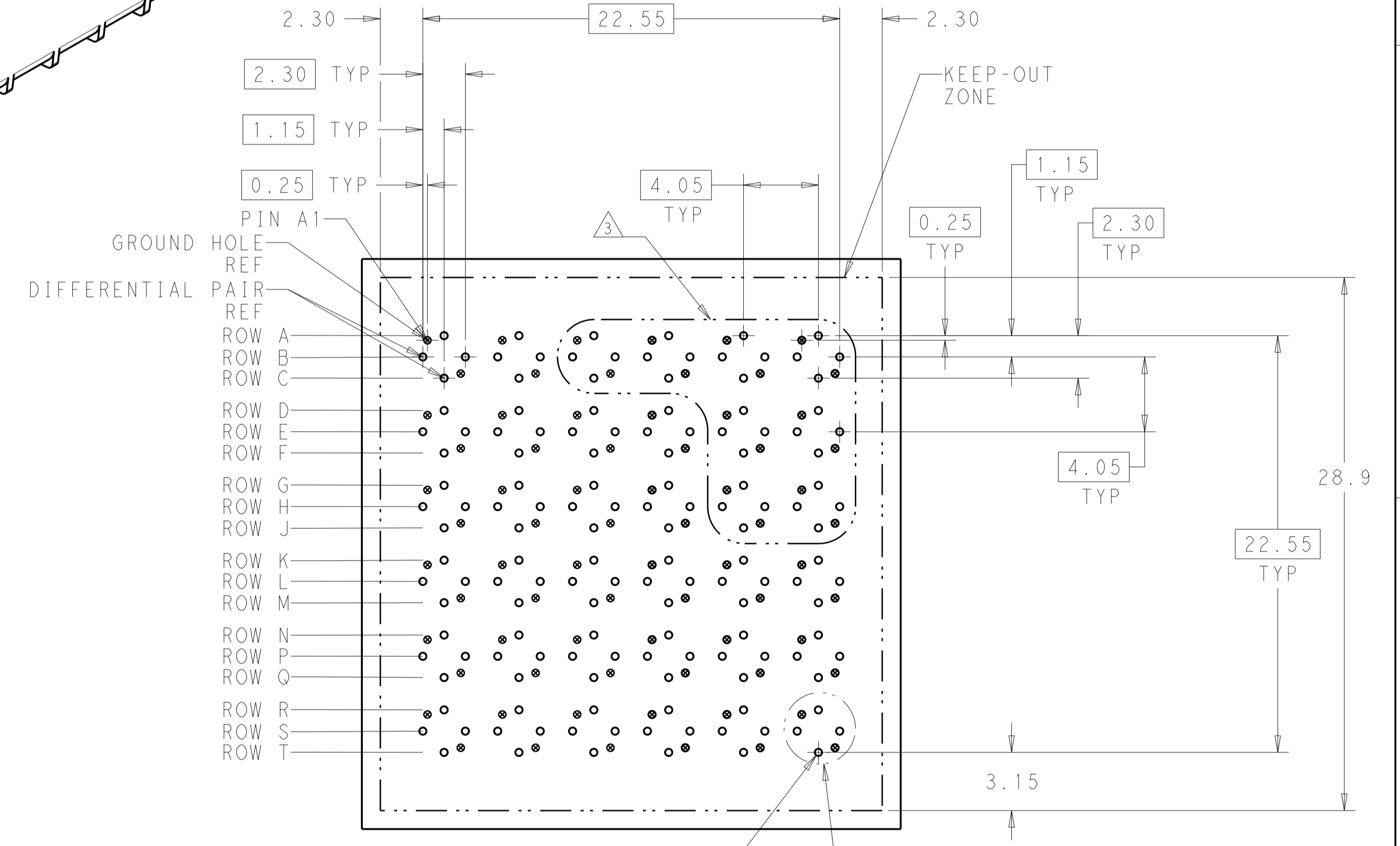
NOTCH DESIGNATES ROW A



- 1 MATERIAL:
HOUSING: LCP, GLASS FILLED, UL94V-0.
TERMINALS: HIGH PERFORMANCE COPPER ALLOY.
- 2 FINISH:
30µ" MIN GOLD IN CONTACT AREA. SELECTIVE TIN ON PCB TAILS, NICKEL OVERALL.
- 3 DIFFERENTIAL PAIRS DEPOPULATED IN THIS AREA.
(A6, A8, A10, A12, B5, B6, B7, B8, B9, B10, B11, B12, C5, C7, C9, C11, D10, D12, E9, E10, E11, E12, F9, F11, G10, G12, H9, H10, H11, H12, J9, J11)

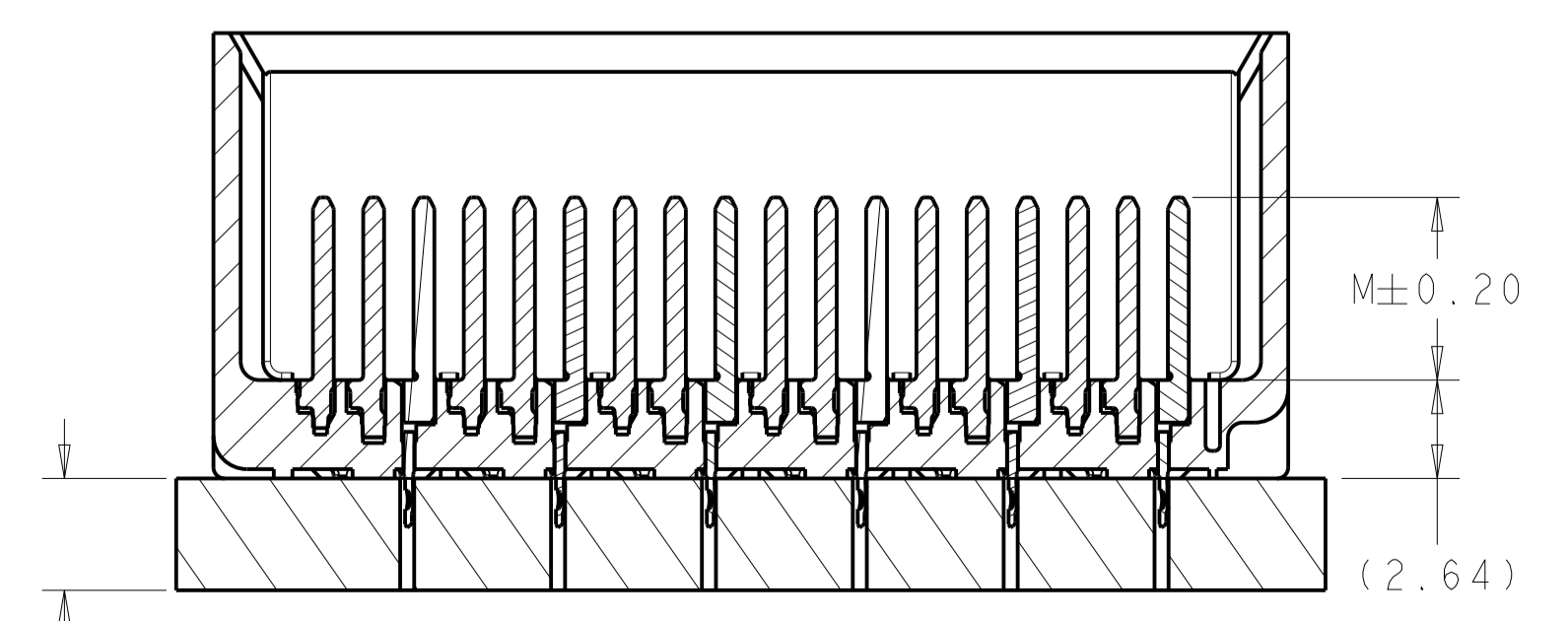
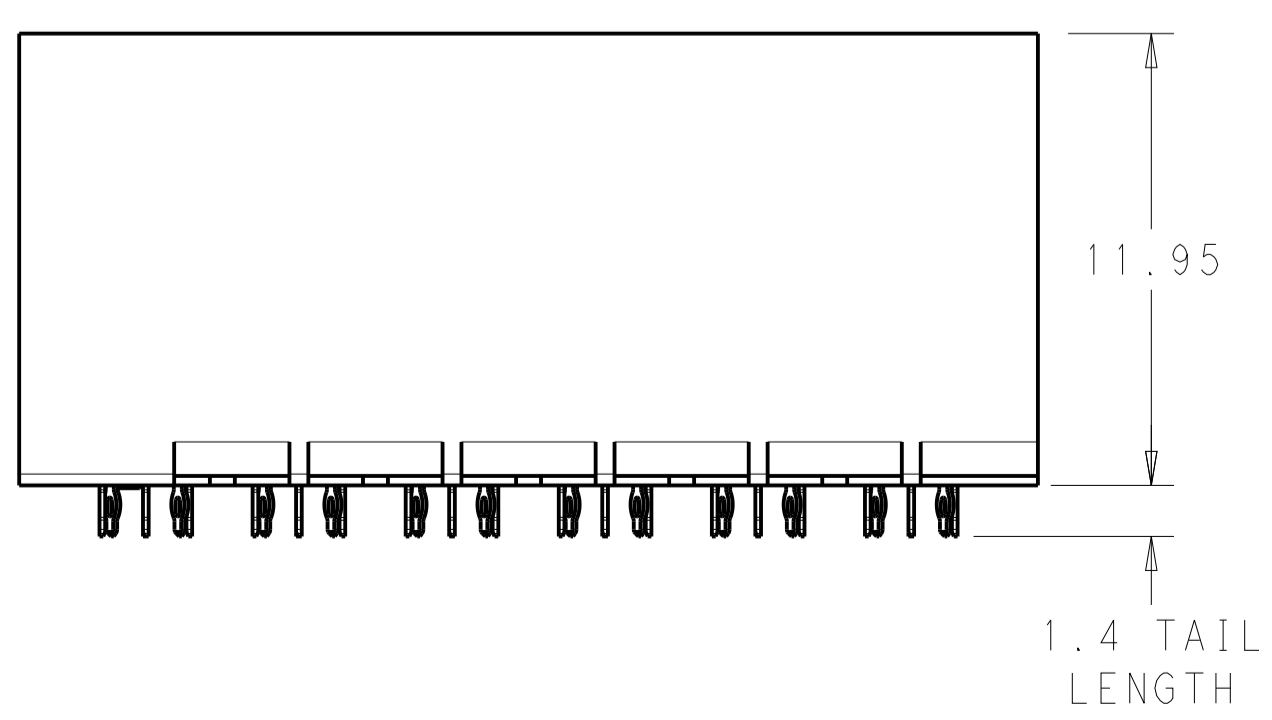


DETAIL X
SCALE 16:1



216X $\varnothing 0.39 \pm 0.08$
 $\varnothing 0.10$
PLATED THRU HOLE

UNGUIDED
BACKPLANE HOLE PATTERN
(CONNECTOR SIDE)



SECTION X-X
3.00 MINIMUM BOARD THICKNESS

THIS DRAWING IS A CONTROLLED DOCUMENT.		OWN: B_CARBO 29FEB2012	TE Connectivity
DIMENSIONS:		CHK: D_YI 29FEB2012	
TOLERANCES UNLESS OTHERWISE SPECIFIED:		APVD: D_YI 29FEB2012	
0 PLC ± 1 PLC ±0.25 2 PLC ±0.13 3 PLC ± 4 PLC ± ANGLES ±		NAME: IMPACT, ORTHOGONAL, 6 PAIR, 12 COLUMN PRODUCT SPEC: UNGUIDED, DUAL END WALL, HEADER APPLICATION SPEC: ASSEMBLY, SELECT LOAD, 0.39 PTH SIZE: A100779 CAGE CODE: C=2214684 WEIGHT: - MATERIAL: SEE TABLE FINISH: - CUSTOMER DRAWING: -	
SCALE: 5:1		SHEET: 1 OF 2	REV: C

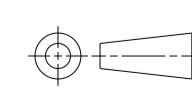
REVISIONS				
P.	LTN	DESCRIPTION	DATE	APVD
-		SEE SHEET 1	-	-

CONTACT LAYOUT
 X = VOID SIGNAL PINS
 B = 4.9mm (DIM M)
 C = 5.5mm (DIM M)
 G = GOALPOST

COLUMNS												
	1	2	3	4	5	6	7	8	9	10	11	12
A	G	C	G	C	G	X	G	X	G	X	G	X
B	C	C	C	C	X	X	X	X	X	X	X	X
C	C	G	C	G	X	G	X	G	X	G	X	G
D	G	C	G	C	G	C	G	C	G	X	G	X
E	C	C	C	C	C	C	C	C	X	X	X	X
F	C	G	C	G	C	G	C	G	X	G	X	G
G	G	C	G	C	G	C	G	C	G	X	G	X
H	C	C	C	C	C	C	C	C	X	X	X	X
J	C	G	C	G	C	G	C	G	X	G	X	G
K	G	C	G	C	G	C	G	C	G	C	G	C
L	C	C	C	C	C	C	C	C	C	C	C	C
M	C	G	C	G	C	G	C	G	C	G	C	G
N	G	C	G	C	G	C	G	C	G	C	G	C
O	C	C	C	C	C	C	C	C	C	C	C	C
P	C	G	C	G	C	G	C	G	C	G	C	G
Q	G	C	G	C	G	C	G	C	G	C	G	C
R	C	C	C	C	C	C	C	C	C	C	C	C
S	C	G	C	G	C	G	C	G	C	G	C	G

△ 2	5.5	2214684-2
△ 2	4.9	2214684-1
FINISH	DIM M	PART NUMBER

REFER TO WWW.TE.COM
 FOR PRODUCT AVAILABILITY

THIS DRAWING IS A CONTROLLED DOCUMENT.		DWN B. CARBO	29FEB2012	TE TE Connectivity
DIMENSIONS:		CHK D. YI	29FEB2012	
TOLERANCES UNLESS OTHERWISE SPECIFIED:		APVD D. YI	29FEB2012	
mm				
		0 PLC ± 1 PLC ±0.25 2 PLC ±0.13 3 PLC ± 4 PLC ± ANGLES ±		NAME IMPACT, ORTHOGONAL, 6 PAIR, 12 COLUMN UNGUDED, DUAL END WALL, HEADER ASSEMBLY, SELECT LOAD, 0.39 PTH
MATERIAL		PRODUCT SPEC APPLICATION SPEC SIZE CAGE CODE DRAWING NO A100779C=2214684		RESTRICTED TO
FINISH		WEIGHT		Customer Drawing
SEE TABLE		SCALE 5:1		SHEET 2 OF 2 REV C