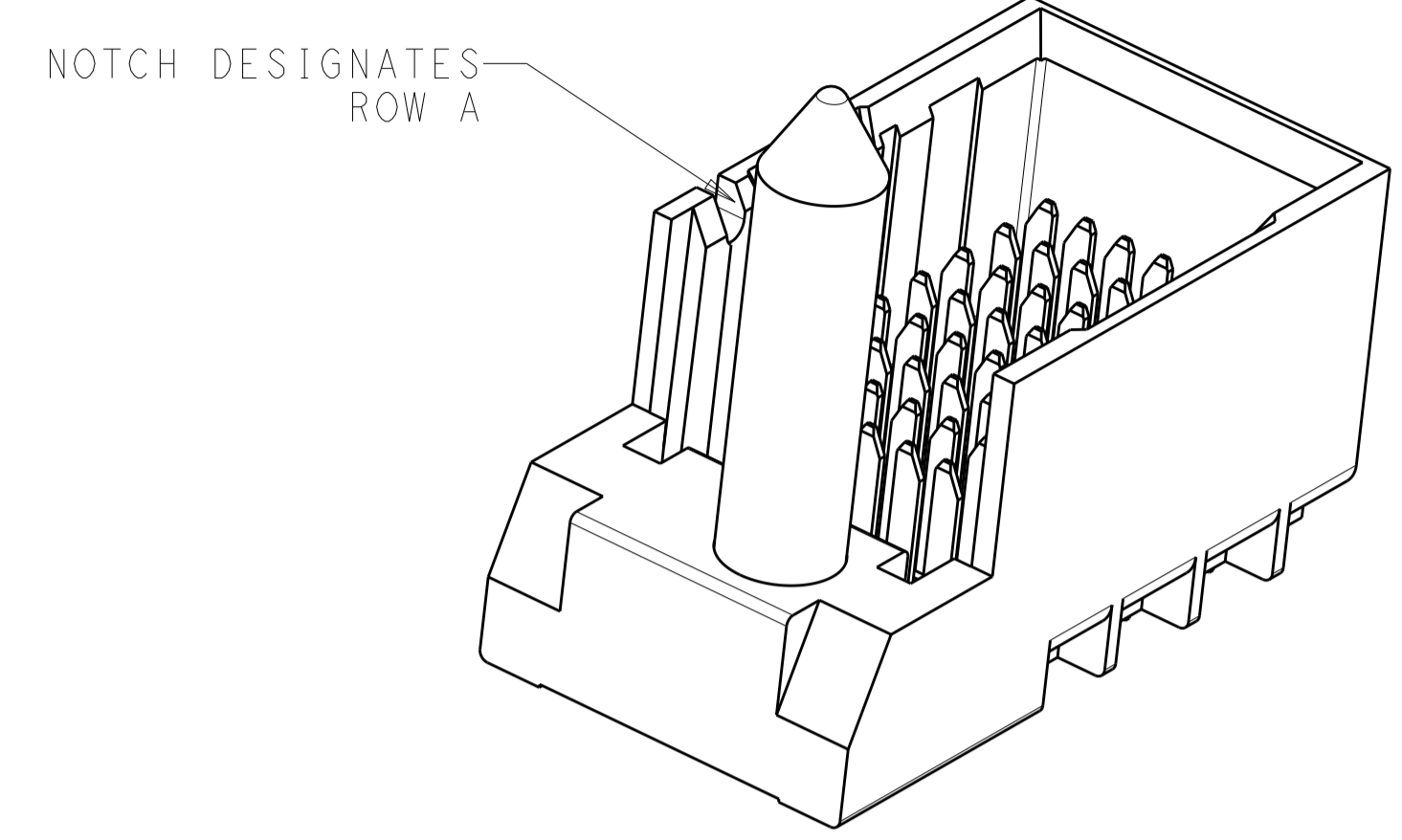
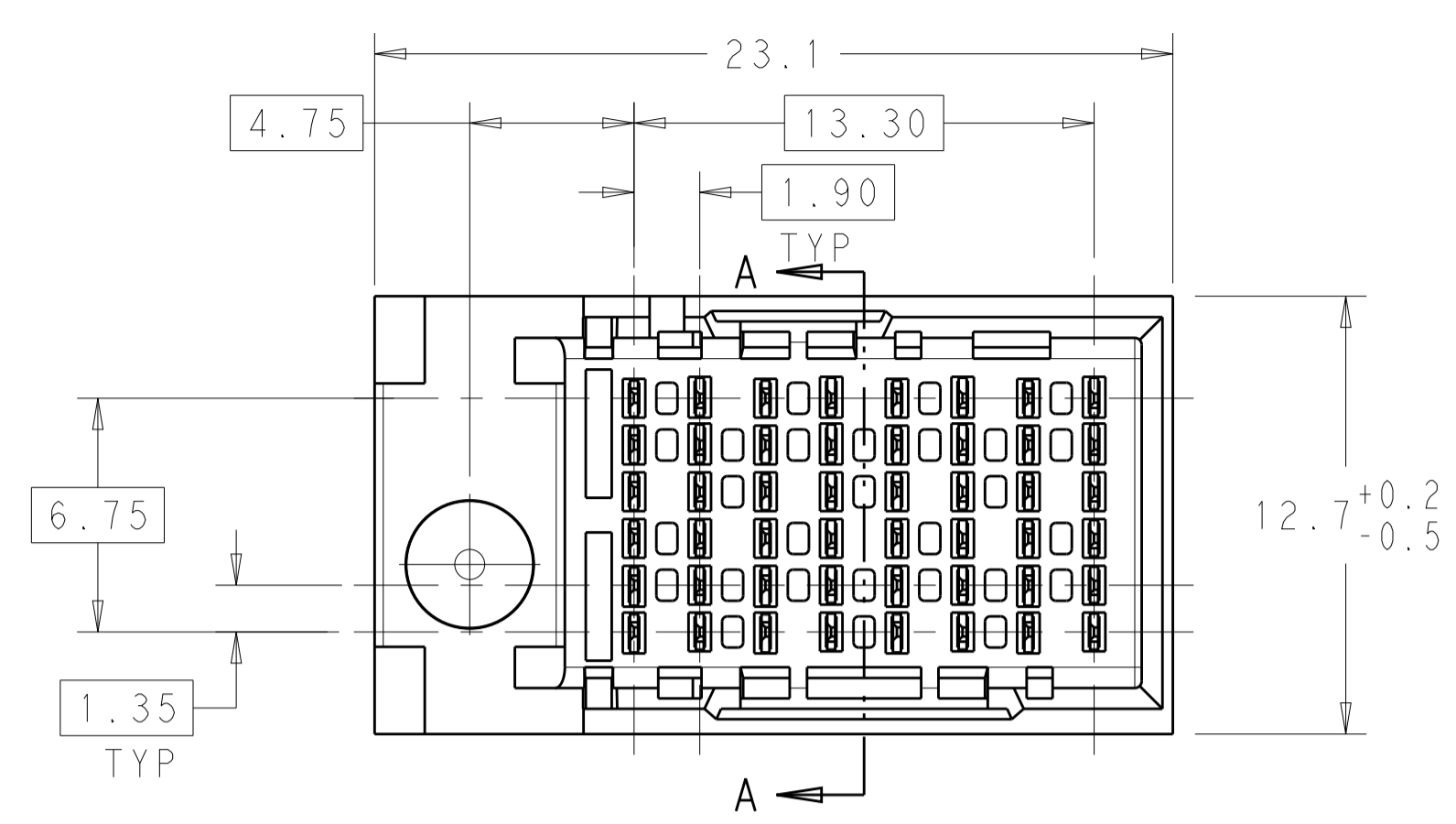
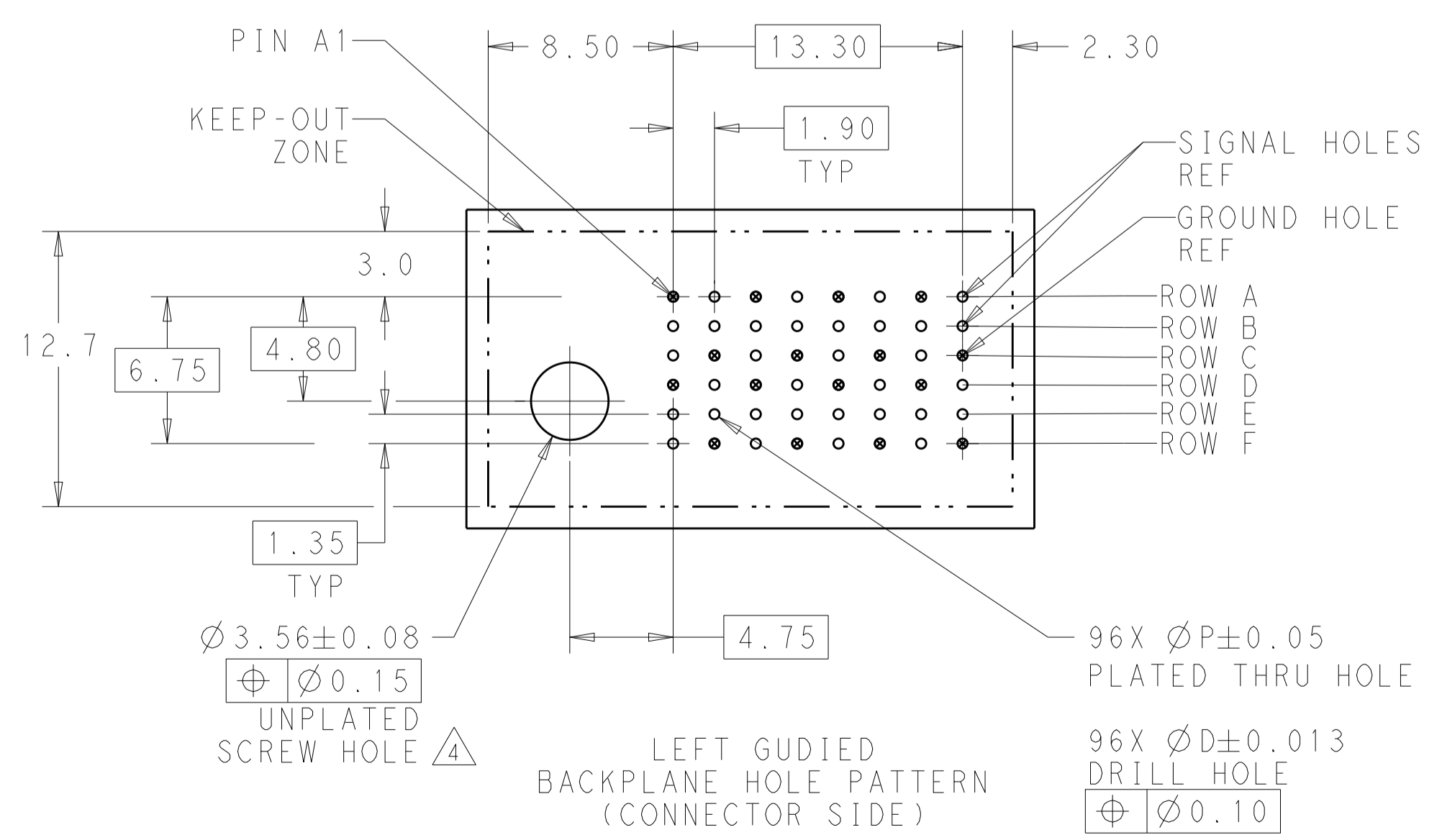
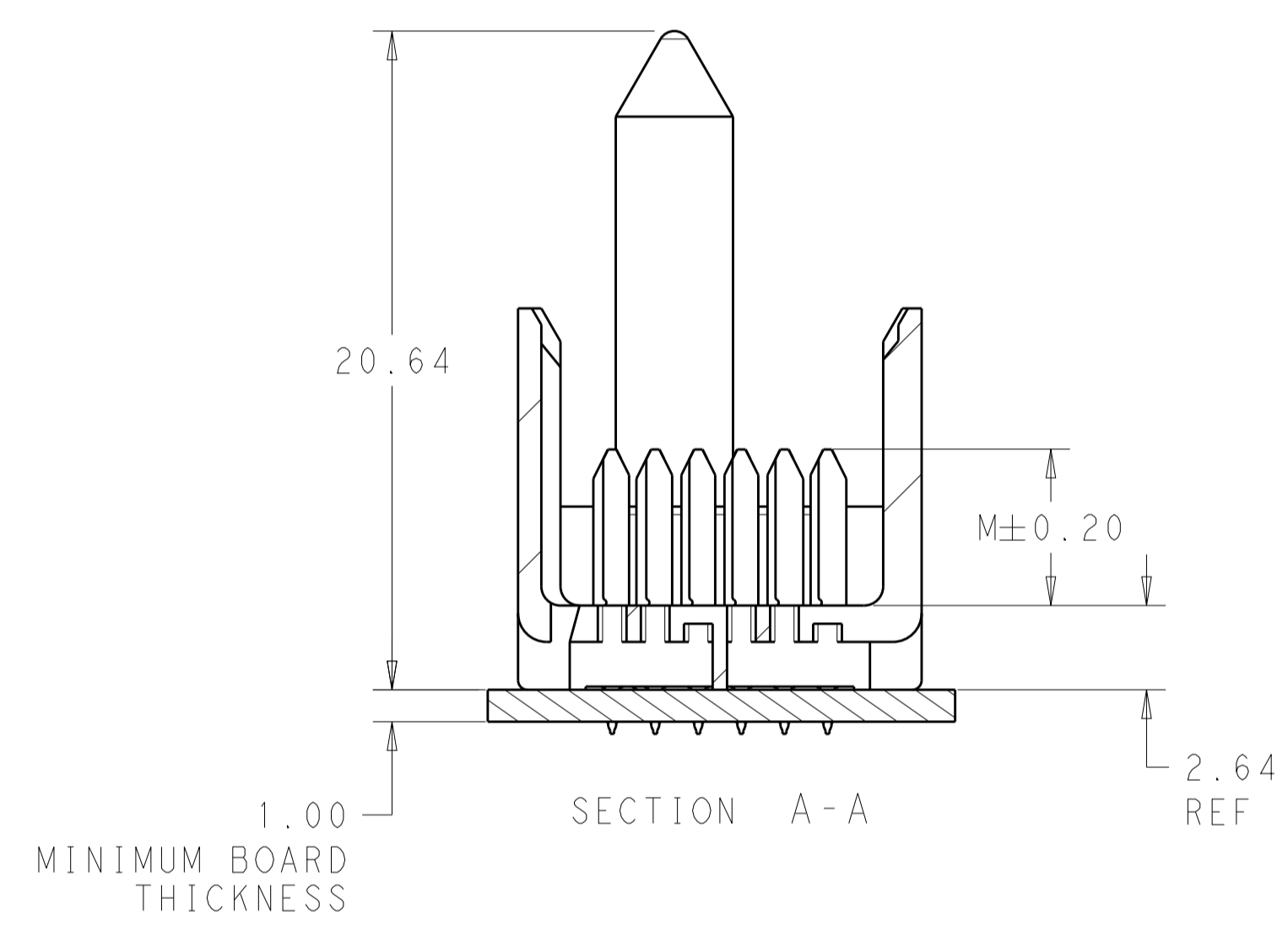
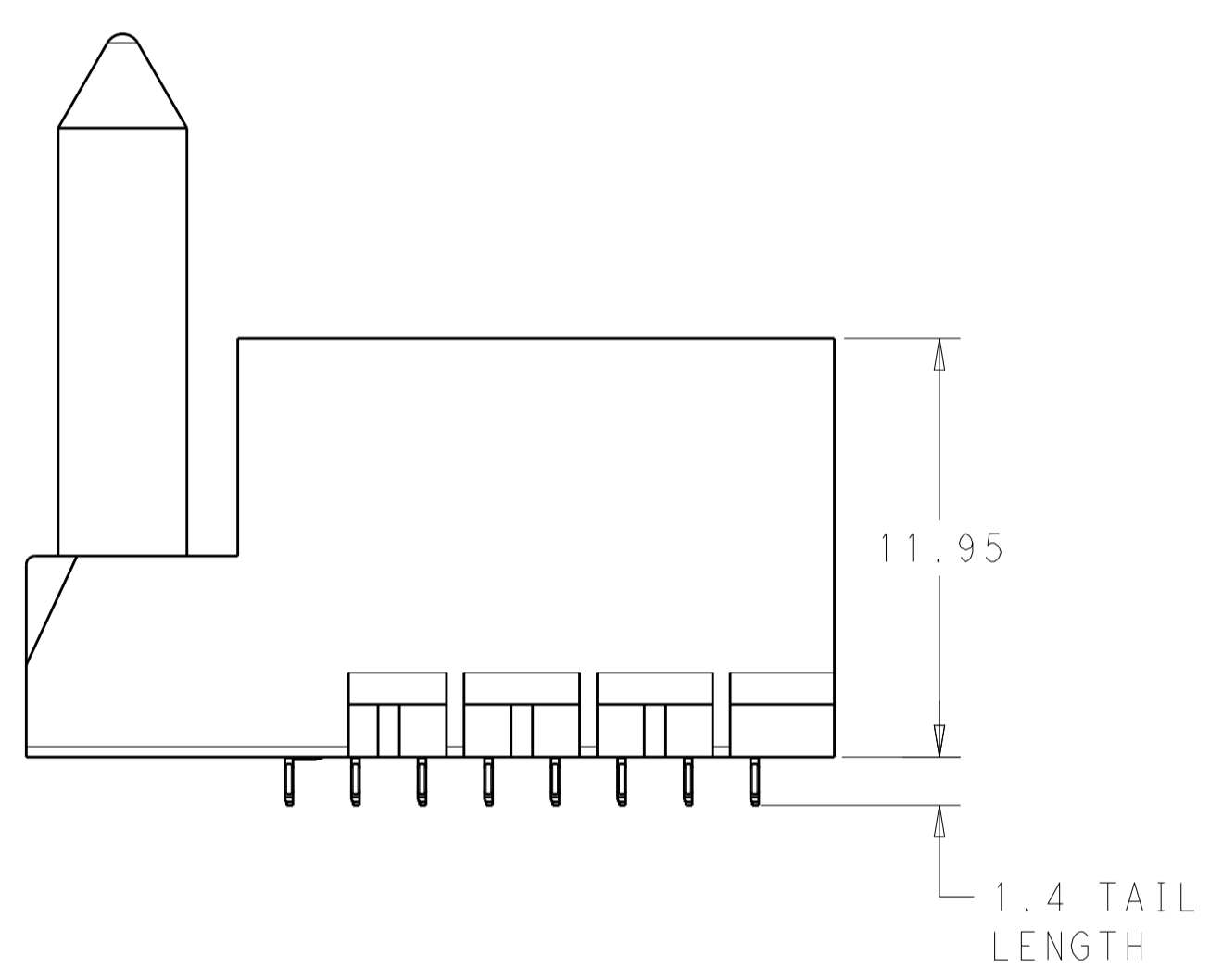


LOC		DIST		REVISIONS			
AD	00	P	LTN	DESCRIPTION	DATE	DWN	APVD
		A1		REVISED PER ECO-15-004792	31MAR2015	AP	DD



- 1 MATERIAL:
HOUSING: LCP, GLASS FILLED, UL94V-0.
TERMINALS: HIGH PERFORMANCE COPPER ALLOY.
- 2 FINISH:
30µ" MIN GOLD IN CONTACT AREA. SELECTIVE TIN ON PCB TAILS, NICKEL OVERALL.
- 3. SCREWS PACKAGED IN END OF PACKAGING TUBE.
- 4 FOR GROUNDED GUIDE PIN USE Ø3.56±0.08 PTH, Ø3.66 DRILL, AND Ø6.5 PAD.
- 5. KEYING PIN SHOWN IN POSITION A, SEE KEYING CHART ON SHEET 2 FOR OTHER POSITIONS.



0.55	0.46	5.5	2214501-6
0.55	0.46	4.9	2214501-5
0.55	0.46	4.5	2214501-4
0.48	0.39	5.5	2214501-3
0.48	0.39	4.9	2214501-2
0.48	0.39	4.5	2214501-1
D DRILL HOLE SIZE	P PLATED THROUGH HOLE SIZE	M POST LENGTH	PART NUMBER

REFER TO WWW.TE.COM FOR PRODUCT AVAILABILITY

THIS DRAWING IS A CONTROLLED DOCUMENT. DWN: AJITH PAI 16JUN2014
 CHK: D. DIXON 16JUN2014
 APVD: D. DIXON 16JUN2014

STE TE Connectivity

NAME: IMPACT, 85 OHM, STANDARD, 2 PAIR PLUS, 8 COLUMN HEADER, LEFT GUIDED, RIGHT ENDWALL, SIGNAL MODULE

SIZE: A1 CAGE CODE: DRAWING NO: 00779 ©=2214501

MATERIAL: SEE TABLE FINISH: SEE TABLE WEIGHT: -

Customer Drawing SCALE: 5:1 SHEET 1 OF 1 REV: A1