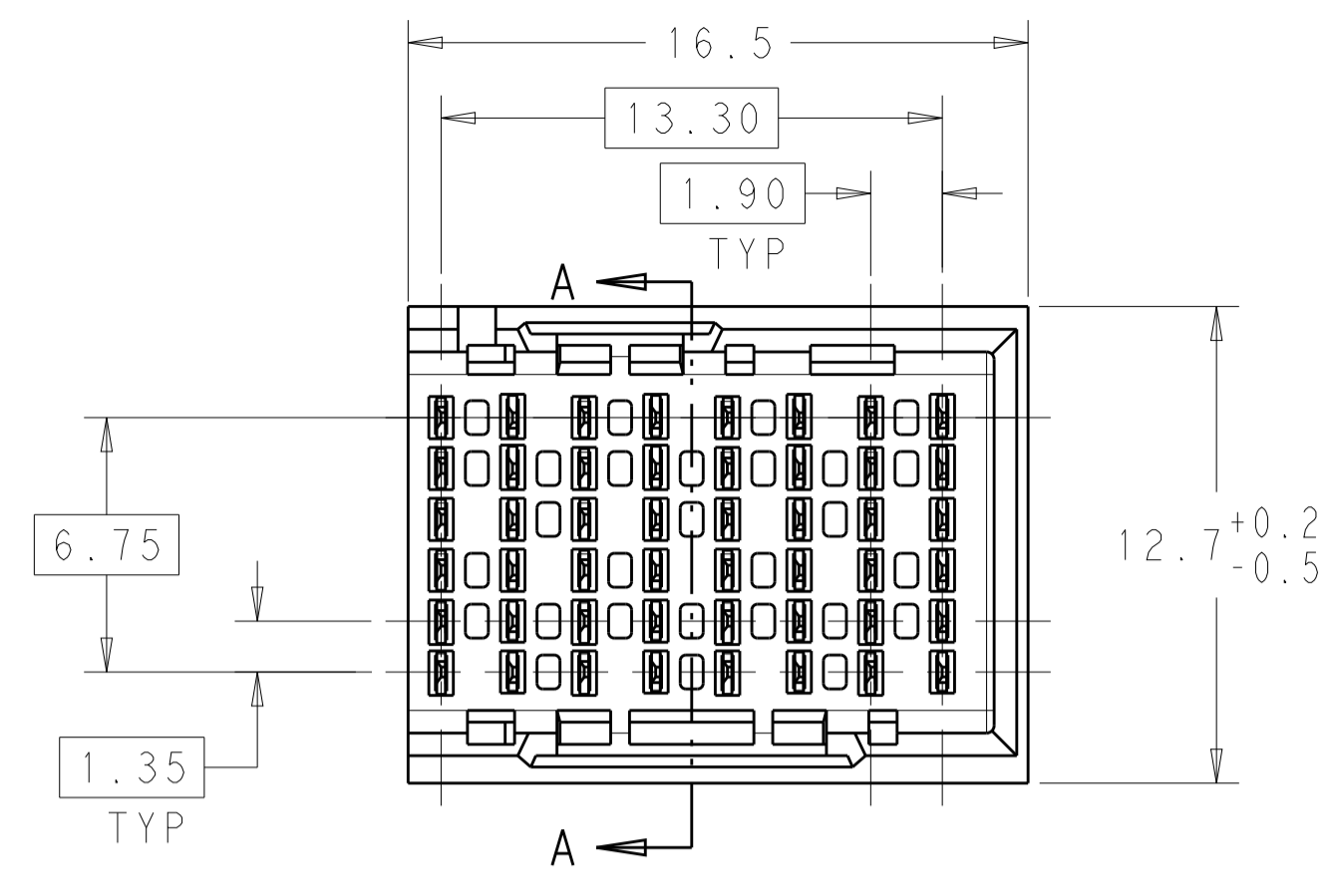
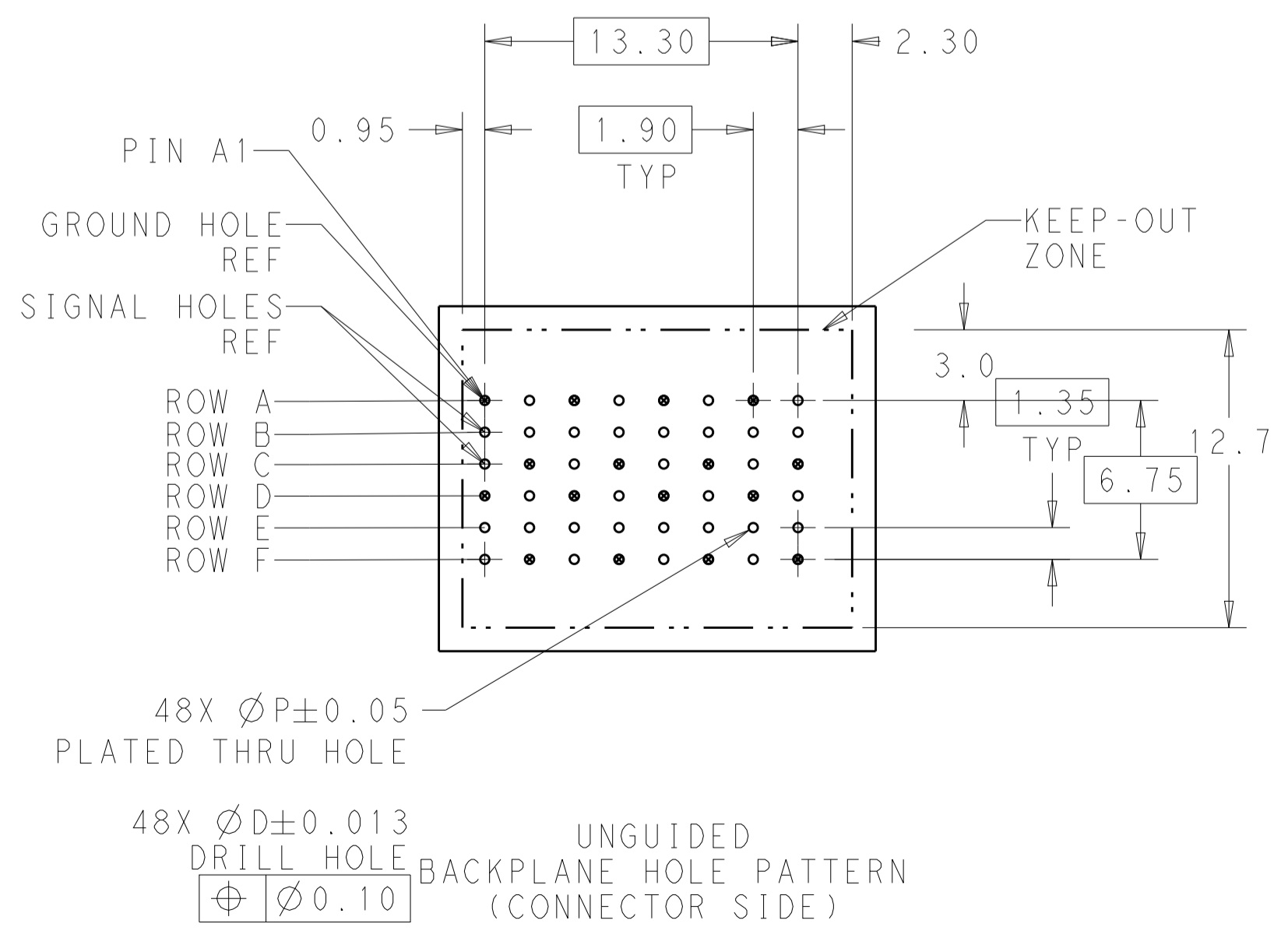
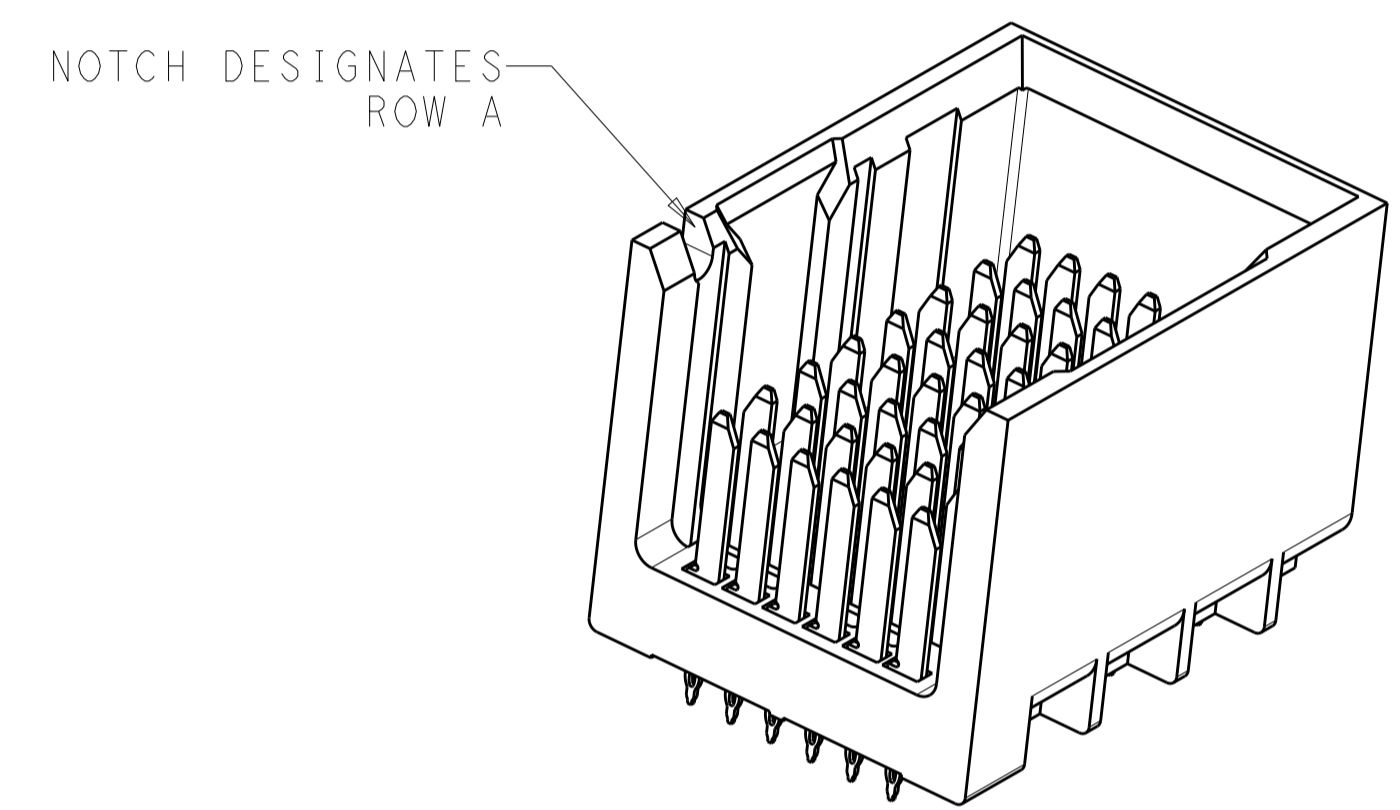
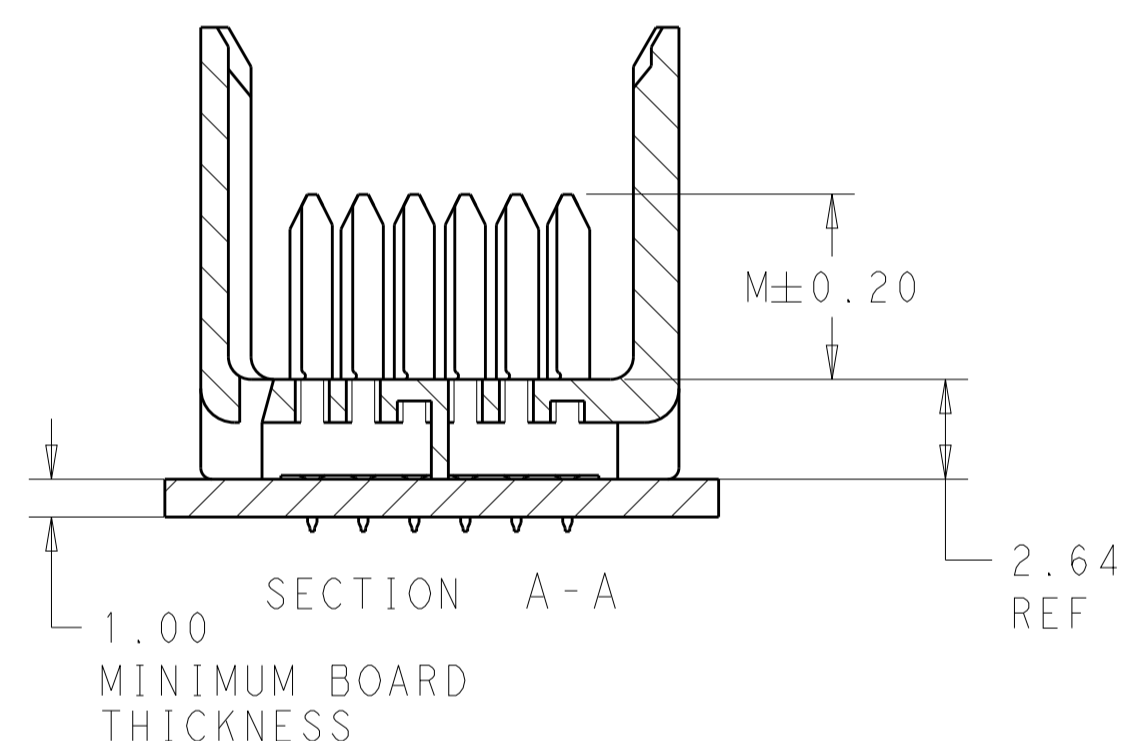
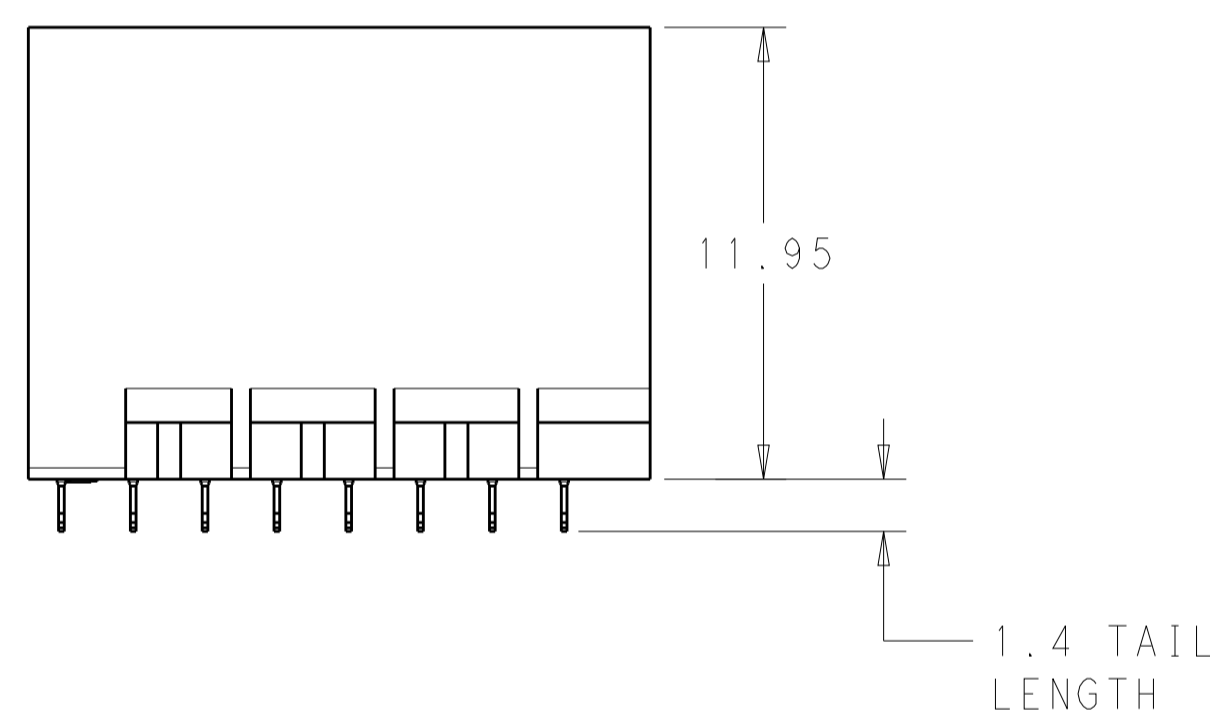


LOC		DIST		REVISIONS			
P	LTN	DESCRIPTION	DATE	DWN	APVD		
A1		REVISED PER ECO-15-004792	30MAR2015	AP	DD		



- 1 MATERIAL:  
HOUSING: LCP, GLASS FILLED, UL94V-0.  
TERMINALS: HIGH PERFORMANCE COPPER ALLOY.
- 2 FINISH:  
30μ" MIN GOLD IN CONTACT AREA. SELECTIVE TIN ON PCB TAILS, NICKEL OVERALL.
- 3. SCREWS PACKAGED IN END OF PACKAGING TUBE.
- 4 FOR GROUNDED GUIDE PIN USE  $\varnothing 3.56 \pm 0.08$  PTH,  $\varnothing 3.66$  DRILL, AND  $\varnothing 6.5$  PAD.
- 5. KEYING PIN SHOWN IN POSITION A, SEE KEYING CHART ON SHEET 2 FOR OTHER POSITIONS.



0.55	0.46	5.5	2214499-6
0.55	0.46	4.9	2214499-5
0.55	0.46	4.5	2214499-4
0.48	0.39	5.5	2214499-3
0.48	0.39	4.9	2214499-2
0.48	0.39	4.5	2214499-1
D DRILL HOLE SIZE	P PLATED THROUGH HOLE SIZE	M POST LENGTH	PART NUMBER

REFER TO WWW.TE.COM FOR PRODUCT AVAILABILITY

THIS DRAWING IS A CONTROLLED DOCUMENT.

DIMENSIONS: mm	TOLERANCES UNLESS OTHERWISE SPECIFIED:	DWN AJITH PAI 13JUN2014	CHK D. DIXON 13JUN2014	APVD D. DIXON 13JUN2014	NAME IMPACT, 85 OHM, STANDARD, 2 PAIR PLUS, 8 COLUMN HEADER, UNGUIDED, RIGHT ENDWALL, SIGNAL MODULE
MATERIAL	FINISH SEE TABLE	WEIGHT	SIZE	CAGE CODE	DRAWING NO
			A1	00779	2214499

Customer Drawing SCALE 5:1 SHEET 1 OF 1 REV A1