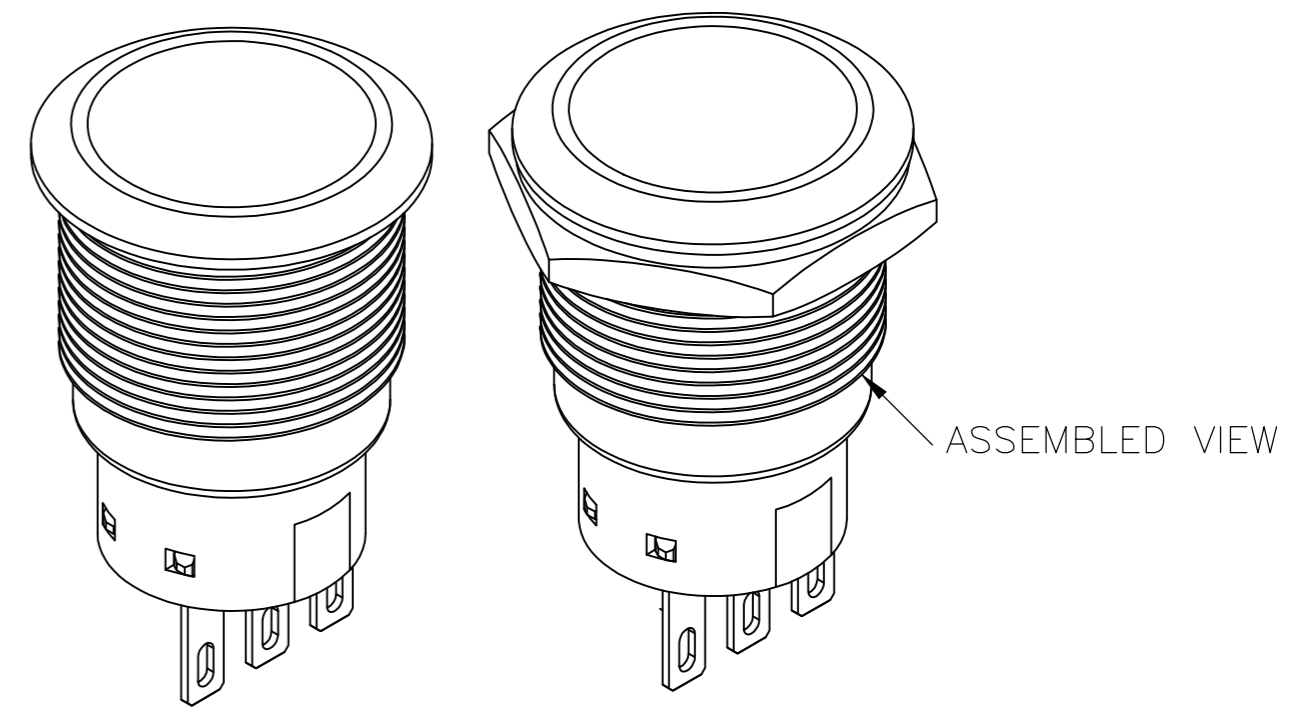
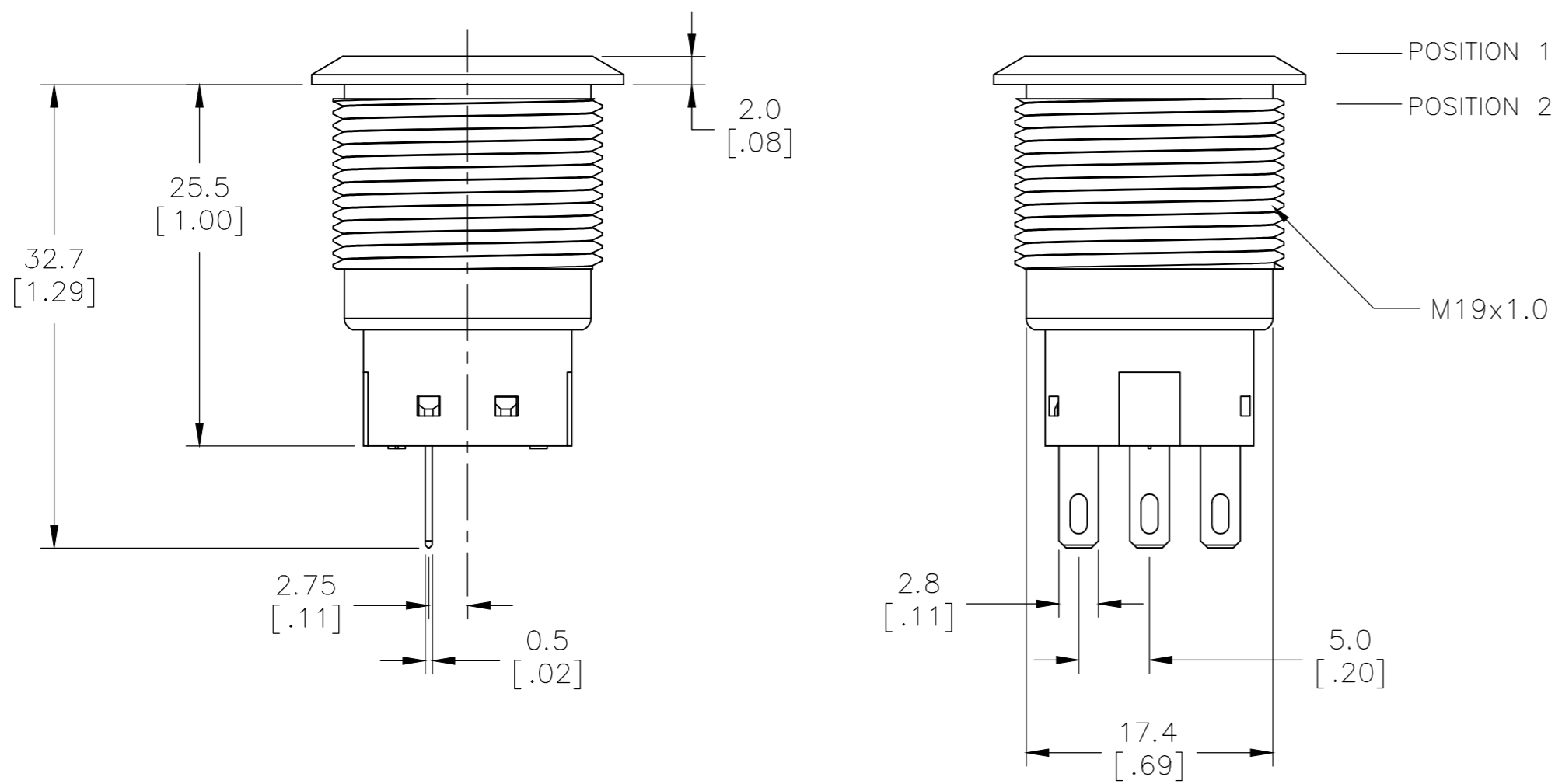
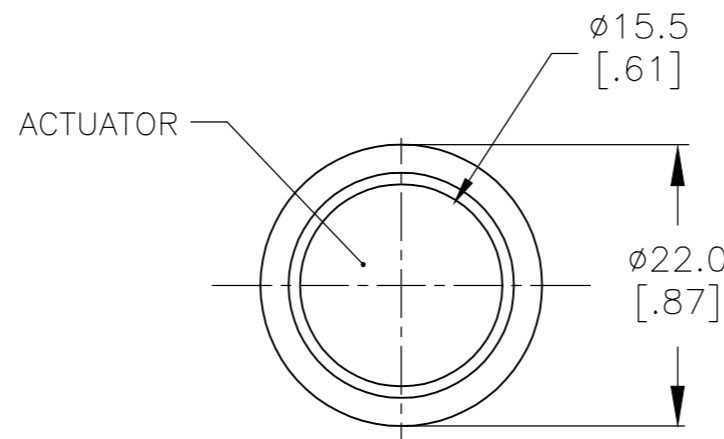
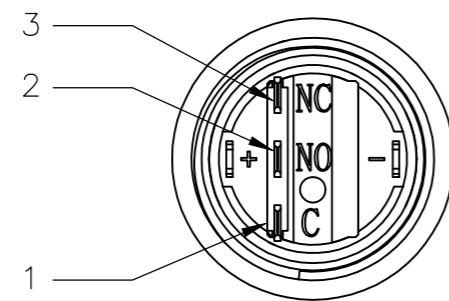
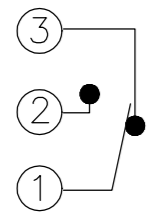


THIS DRAWING IS UNPUBLISHED. RELEASED FOR PUBLICATION
 © COPYRIGHT - By - ALL RIGHTS RESERVED.

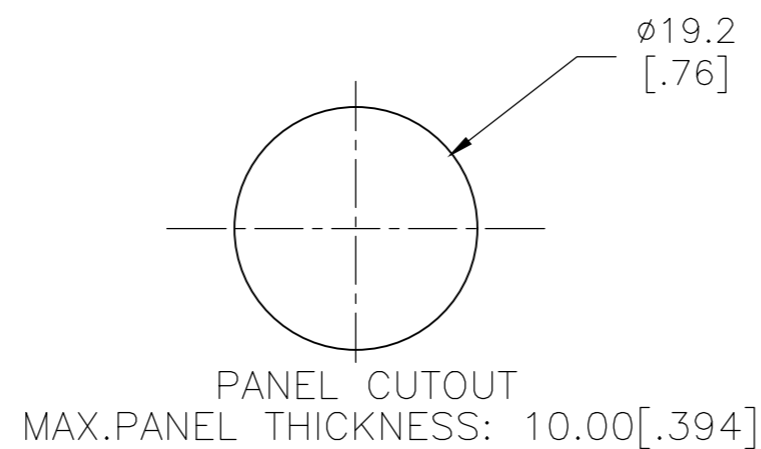
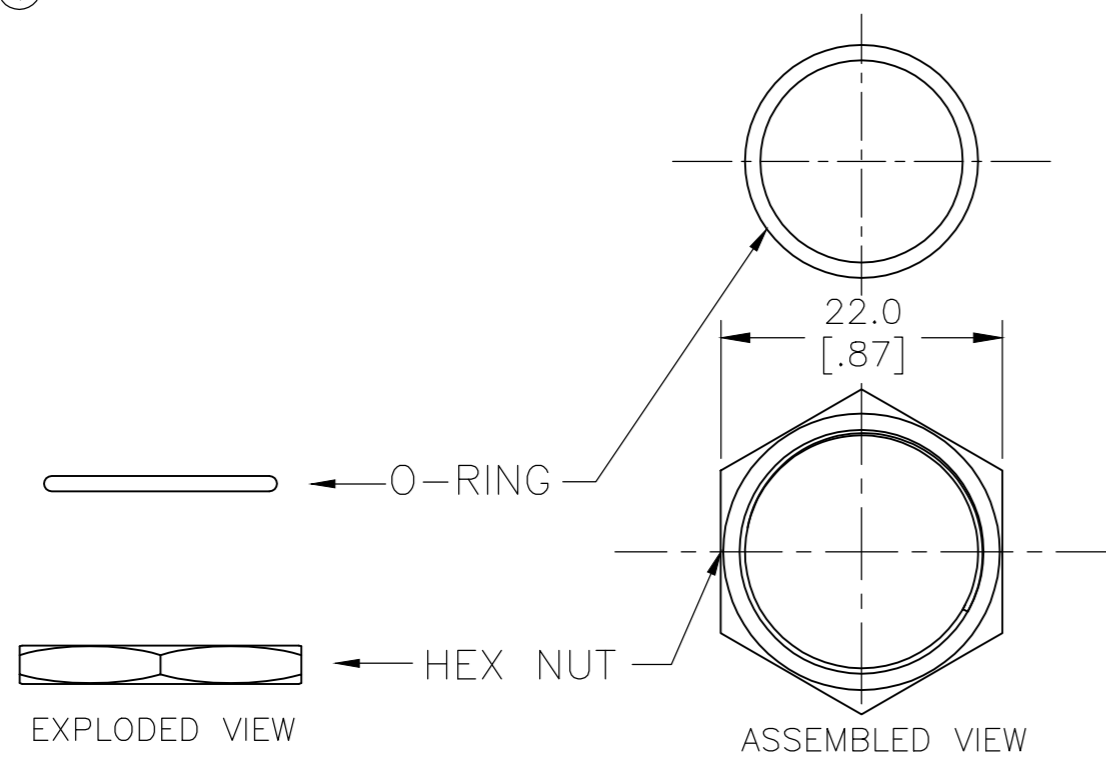
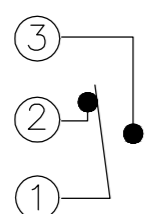
| REVISIONS | | | | | |
|-----------|-----|---------------------------|-----------|-----|------|
| P | LTR | DESCRIPTION | DATE | DWN | APVD |
| B2 | | REVISED PER ECR-19-017758 | 13DEC2019 | SB | PO |



POSITION 1



POSITION 2



SPECIFICATIONS

CONTACT RATING: SILVER: 3A @ 250 VAC RESISTIVE
 GOLD: 0.4VA @ 20VDC OR PEAK AC
 INSULATION RESISTANCE: 1,000MΩ MIN AT 500VDC
 DIELECTRIC STRENGTH: 2,000V RMS @ SEA LEVEL
 CONTACT RESISTANCE: 50 mΩ MAX @ 1A 12VDC (INITIAL VALUE)
 ELECTRICAL LIFECYCLES: 50,000 MAKE AND BREAK CYCLES AT FULL LOAD

ACTUATION FORCE: SP: 2.5±1 NEWTON, DP: 3.5±1 NEWTON
 ACTUATION TRAVEL: 3.2mm
 SEALED PER IP67, IK10 (STAINLESS)
 OPERATING TEMPERATURE: -20°C TO +55°C
 MECHANICAL LIFECYCLES: MOMENTARY: 1,000,000 CYCLES
 LOCKING: 500,000 CYCLES
 HARDWARE TORQUE: 5-14 N-m

MATERIALS

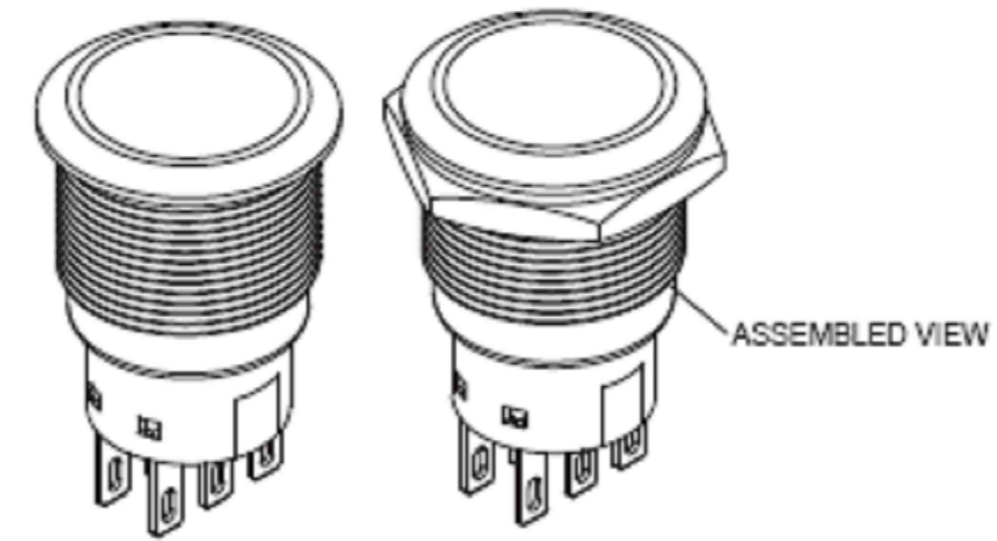
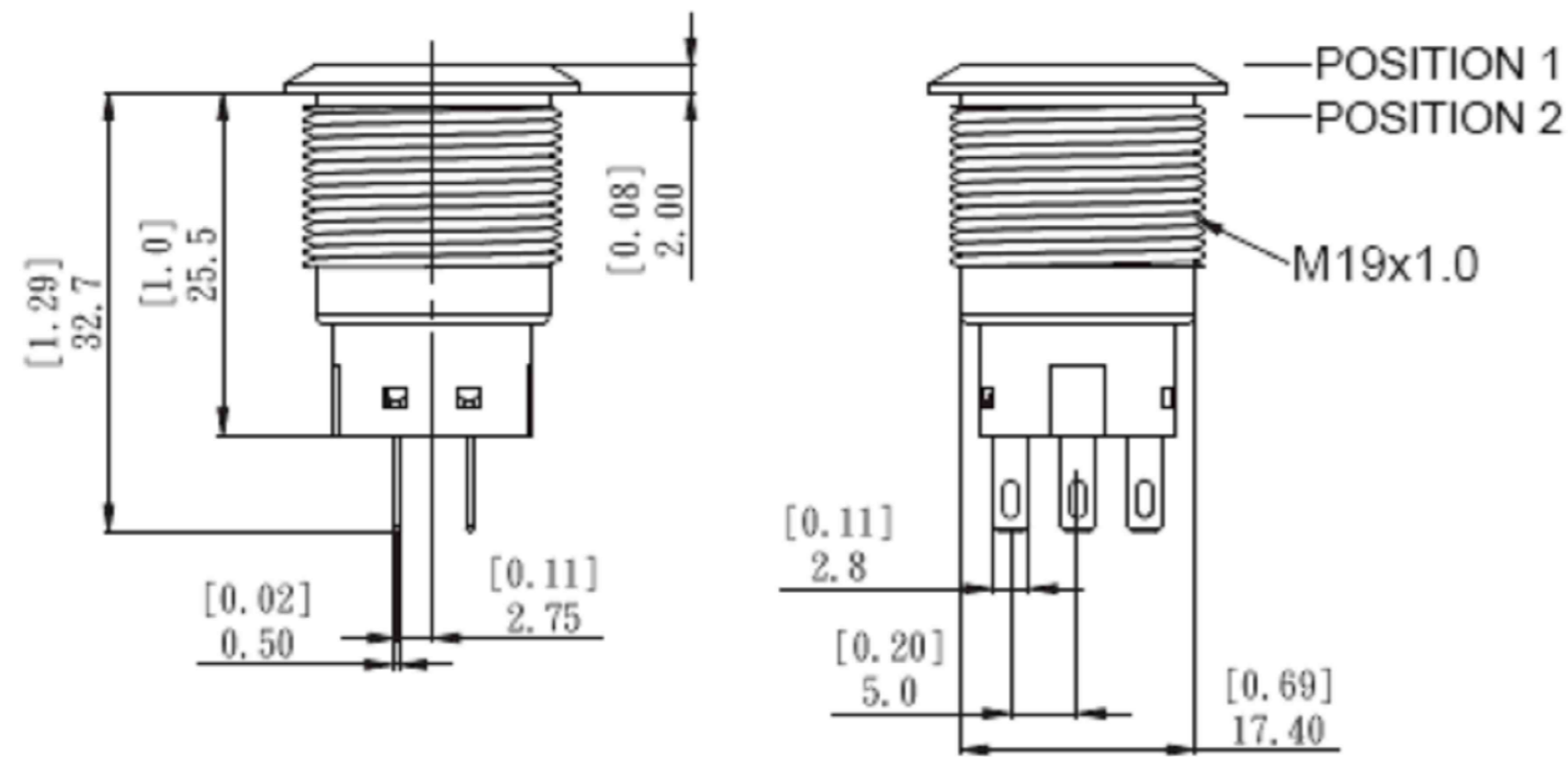
BUSHING: STAINLESS STEEL
 BASE: PBT (UL 94-V0), PC (UL 94-V2)
 ACTUATOR: STAINLESS STEEL, PC
 SEALING: O-RING (SILICONE)
 TERMINAL/CONTACT: COPPER BASE, SILVER/GOLD PLATED
 HEX NUT: BRASS BASE, NICKEL PLATED

1 ALL MATERIAL AND FINISHES SHALL COMPLY WITH EU DIRECTIVE 2002/95/EC OF 27JAN2003 (ROHS)

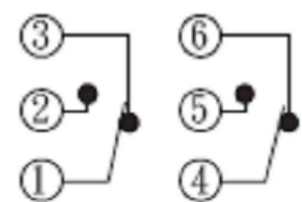
| | | | | |
|---|--|-----------------------------------|--|--------------------|
| THIS DRAWING IS A CONTROLLED DOCUMENT. | | DWN NAGALAKSHMI K 05FEB2016 | | |
| DIMENSIONS: mm [INCHES] | | CHK HILL RYAN 05FEB2016 | | |
| TOLERANCES UNLESS OTHERWISE SPECIFIED: 0 PLC ± - 1 PLC ± 0.016 In 2 PLC ± 0.01 In 3 PLC ± - 4 PLC ± - ANGLES ± 2° | | APVD HILL RYAN 05FEB2016 | NAME - ANTI-VANDAL SWITCH 19mm NO LED | |
| MATERIAL | | FINISH | SIZE A2 | CAGE CODE 00779 |
| - | | - | DRAWING NO C=2213763 | RESTRICTED TO - |
| CUSTOMER DRAWING | | WEIGHT - | SCALE 8:1 | SHEET 1 of 3 |
| | | | REV B2 | |

THIS DRAWING IS UNPUBLISHED. RELEASED FOR PUBLICATION
 © COPYRIGHT - By - ALL RIGHTS RESERVED.

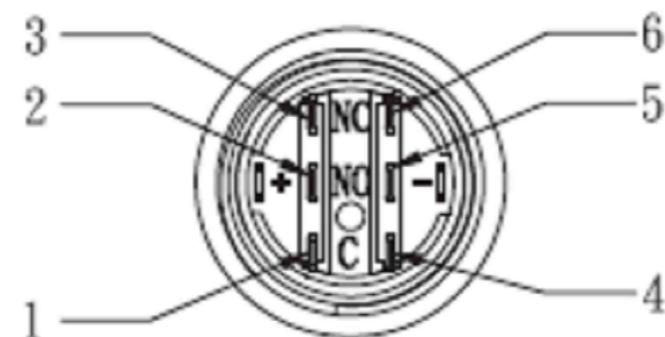
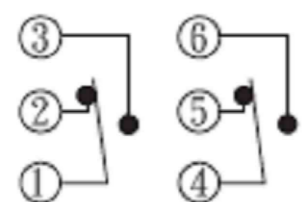
| REVISIONS | | | | |
|-----------|-----|-------------|------|------|
| P | LTR | DESCRIPTION | DATE | APVD |
| - | - | SEE SHEET 1 | - | - |



POSITION 1



POSITION 2




| | | | | | | | | | | | | | | | | | | | | | | |
|--|---|-----------------------------------|--------------------|--------------------------|-------|---|----------|-------|---|---------|-------|---|---|-------|---|---|--------|---|----|-------------------|-----------------------------------|--|
| THIS DRAWING IS A CONTROLLED DOCUMENT. | | DWN NAGALAKSHMI K 06FEB2016 | | | | | | | | | | | | | | | | | | | | |
| DIMENSIONS: mm [INCHES] | | CHK HILL RYAN 06FEB2016 | | | | | | | | | | | | | | | | | | | | |
| TOLERANCES UNLESS OTHERWISE SPECIFIED: | | APVD HILL RYAN 06FEB2016 | NAME - | | | | | | | | | | | | | | | | | | | |
| <table border="0"> <tr><td>0 PLC</td><td>±</td><td>-</td></tr> <tr><td>1 PLC</td><td>±</td><td>0.016 In</td></tr> <tr><td>2 PLC</td><td>±</td><td>0.01 In</td></tr> <tr><td>3 PLC</td><td>±</td><td>-</td></tr> <tr><td>4 PLC</td><td>±</td><td>-</td></tr> <tr><td>ANGLES</td><td>±</td><td>2°</td></tr> </table> | | 0 PLC | ± | - | 1 PLC | ± | 0.016 In | 2 PLC | ± | 0.01 In | 3 PLC | ± | - | 4 PLC | ± | - | ANGLES | ± | 2° | PRODUCT SPEC - | ANTI-VANDAL SWITCH 19mm NO LED | |
| 0 PLC | ± | - | | | | | | | | | | | | | | | | | | | | |
| 1 PLC | ± | 0.016 In | | | | | | | | | | | | | | | | | | | | |
| 2 PLC | ± | 0.01 In | | | | | | | | | | | | | | | | | | | | |
| 3 PLC | ± | - | | | | | | | | | | | | | | | | | | | | |
| 4 PLC | ± | - | | | | | | | | | | | | | | | | | | | | |
| ANGLES | ± | 2° | | | | | | | | | | | | | | | | | | | | |
| MATERIAL - | | FINISH - | WEIGHT - | SIZE A2 | | | | | | | | | | | | | | | | | | |
| CUSTOMER DRAWING | | SCALE NTS | CAGE CODE 00779 | DRAWING NO. C=2213763 | | | | | | | | | | | | | | | | | | |
| | | RESTRICTED TO - | | SHEET 2 of 3 | | | | | | | | | | | | | | | | | | |
| | | | | REV B2 | | | | | | | | | | | | | | | | | | |

THIS DRAWING IS UNPUBLISHED. RELEASED FOR PUBLICATION
 © COPYRIGHT - SEE SHEET 1 ALL RIGHTS RESERVED.

| REVISIONS | | | | | |
|-----------|-----|-------------|------|-----|------|
| P | LTR | DESCRIPTION | DATE | DWN | APVD |
| - | - | SEE SHEET 1 | - | - | - |

| | | | | | |
|---------------------------|---------|------------|-------------|-------------------|----------------|
| DOUBLE POLE -LOCKING | GOLD | - | - | AV1921000R04 | 2213763-8 |
| | SILVER | - | - | AV1921000Q04 | 2213763-7 |
| DOUBLE POLE- MOMENTARY | GOLD | - | - | AV1920000R04 | 2213763-6 |
| | SILVER | - | - | AV1920000Q04 | 2213763-5 |
| SINGLE POLE- LOCKING | GOLD | - | - | AV1911000R04 | 2213763-4 |
| | SILVER | - | - | AV1911000Q04 | 2213763-3 |
| SINGLE POLE- MOMENTARY | GOLD | - | - | AV1910000R04 | 2213763-2 |
| | SILVER | - | - | AV1910000Q04 | 2213763-1 |
| POLE/THROW | CONTACT | LED COLOUR | LED VOLTAGE | TE DESCRIPTIVE PN | TE PART NUMBER |

| | | | | | |
|---|--|--------------------------------|---|----------------------|-----------------|
| THIS DRAWING IS A CONTROLLED DOCUMENT. | | DWN 06FEB2016 NAGALAKSHMI K |  TE Connectivity | | |
| DIMENSIONS: mm [INCHES] | | CHK 06FEB2016 HILL RYAN | | | |
| TOLERANCES UNLESS OTHERWISE SPECIFIED: | | APVD 06FEB2016 HILL RYAN | NAME | | |
| 0 PLC ± - 1 PLC ± - 2 PLC ± - 3 PLC ± - 4 PLC ± - ANGLES ± - | | PRODUCT SPEC | ANTI-VANDAL SWITCH 19mm NO LED | | |
| MATERIAL | | FINISH | WEIGHT | SIZE A2 | CAGE CODE 00779 |
| - | | - | - | DRAWING NO C=2213763 | RESTRICTED TO - |
| CUSTOMER DRAWING | | | SCALE NTS | SHEET 3 of 3 | REV B2 |

2213763