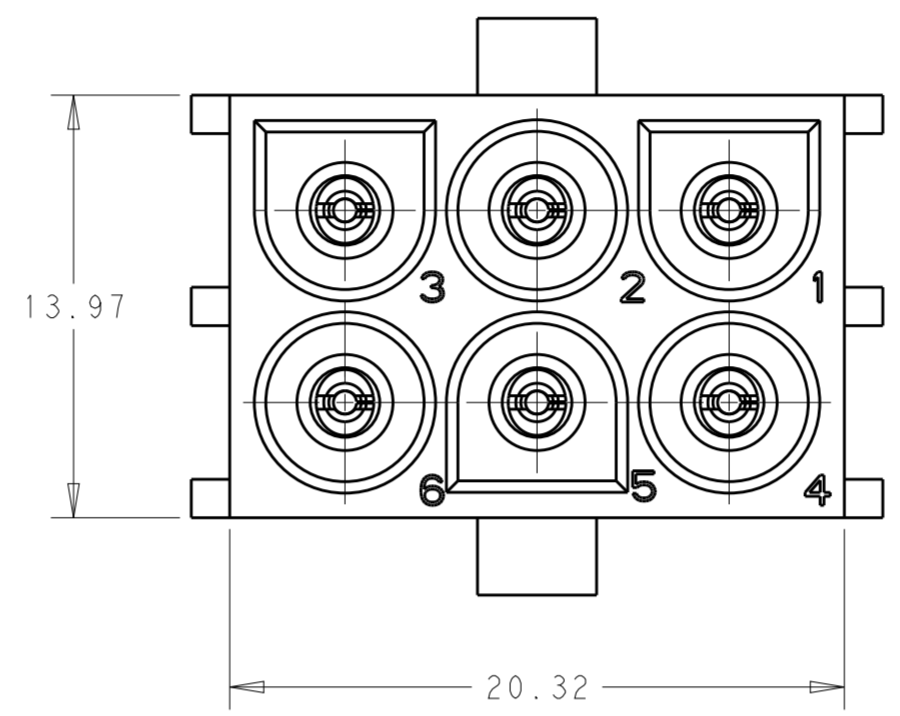
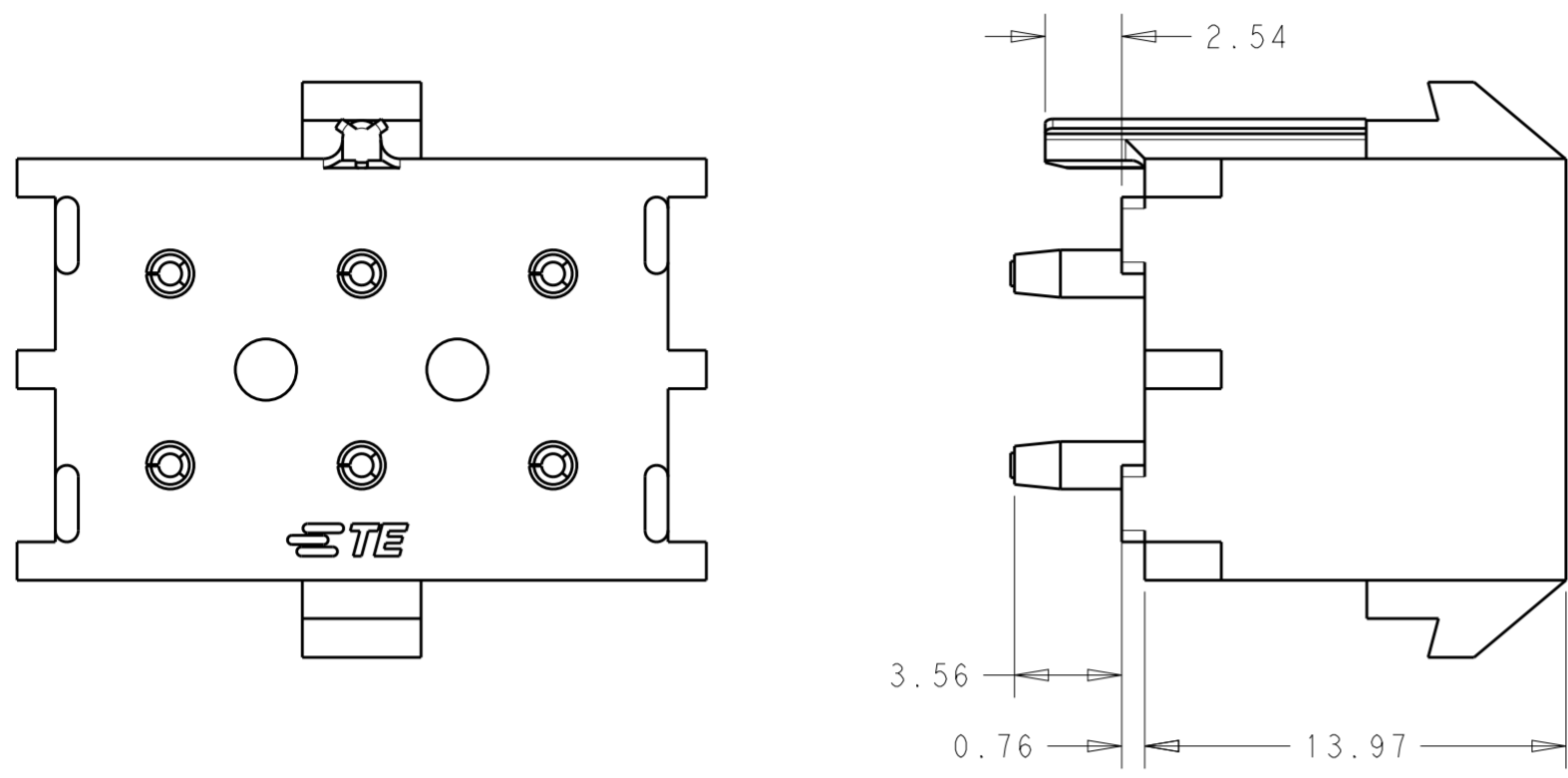


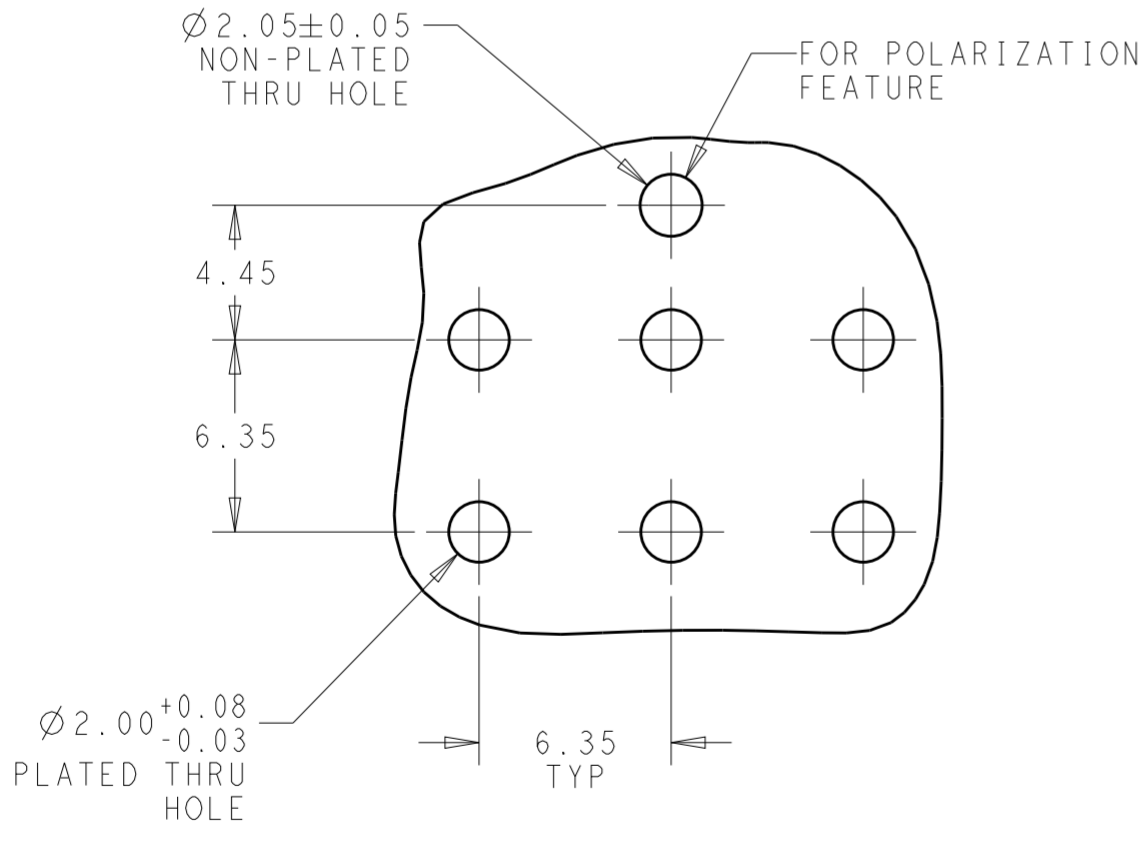
THIS DRAWING IS UNPUBLISHED. RELEASED FOR PUBLICATION 20
 © COPYRIGHT 20 BY - ALL RIGHTS RESERVED.

REVISIONS					
P	LTR	DESCRIPTION	DATE	DWN	APVD
A		REVISED PER ECR-17-014561	10OCT2017	RK	JL
A1		REVISED PER ECR-17-015644	25OCT2017	RK	JL

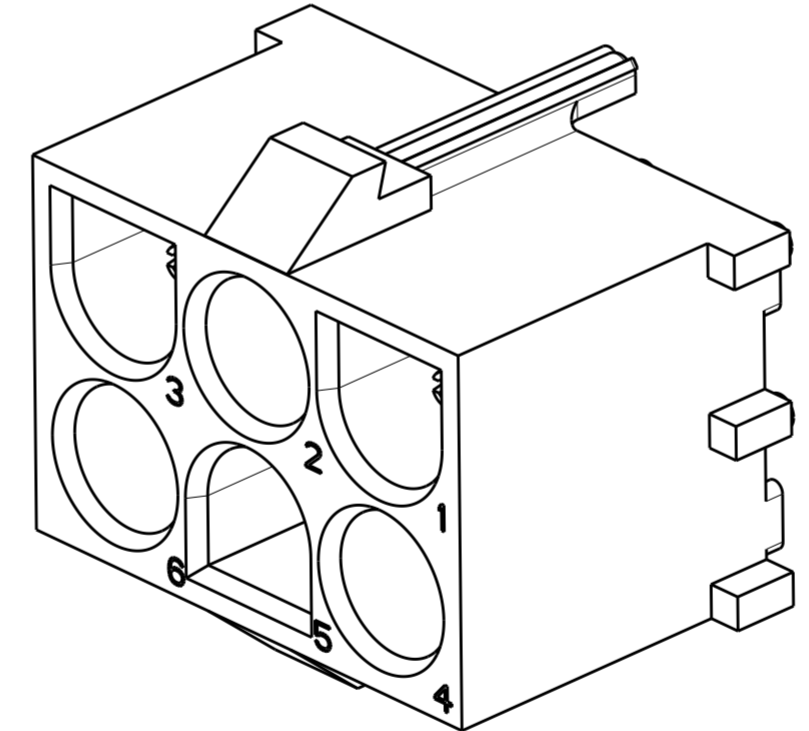


NOTES:

- PARTS COMPLY TO TE SOLDERABILITY SPEC 109-11-3.
- MATERIALS:
 - HOUSING:GF-LCP
COLOR:SEE TABLE
 - CONTACT:PHOSPHOR BRONZE
PLATING:TIN



RECOMMENDED MOUNTING HOLE PATTERN FOR 1.57 THICK PC BOARD SCALE 4:1



SCALE 4:1

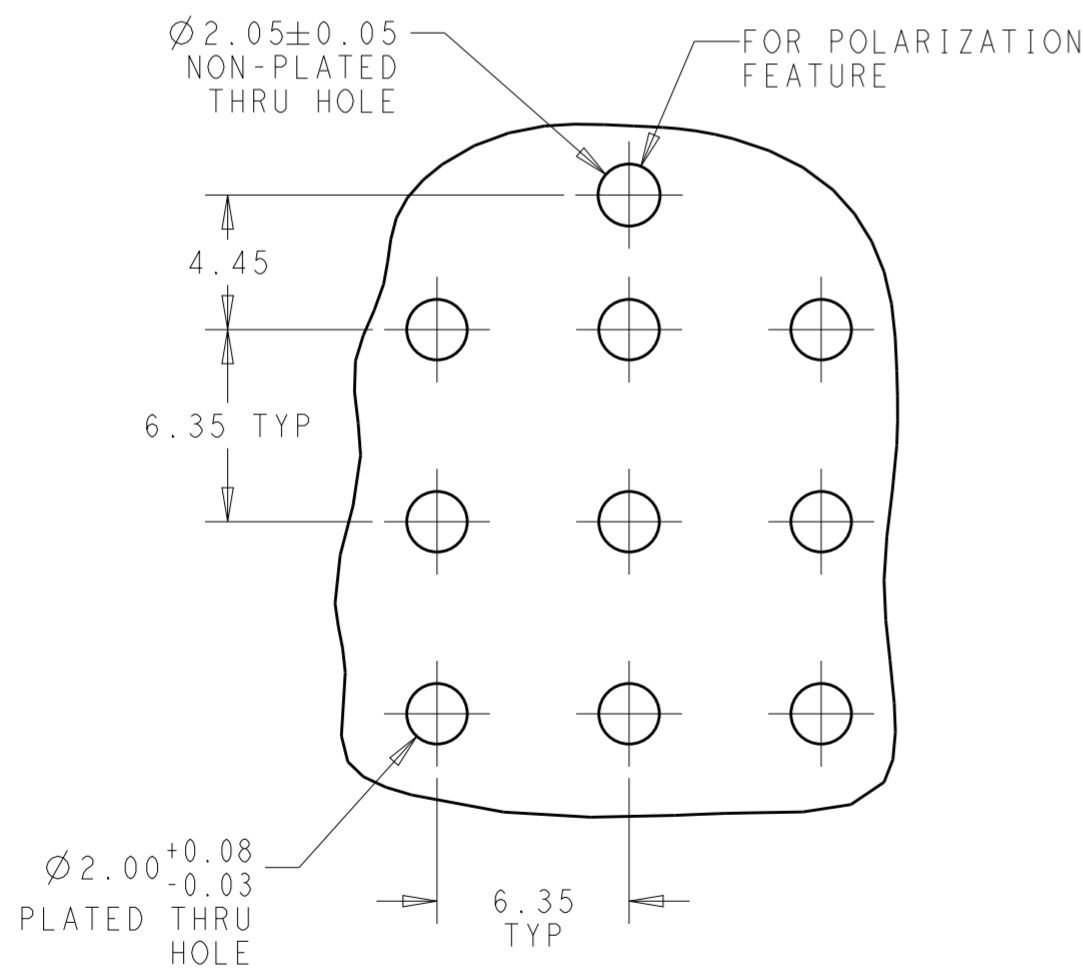
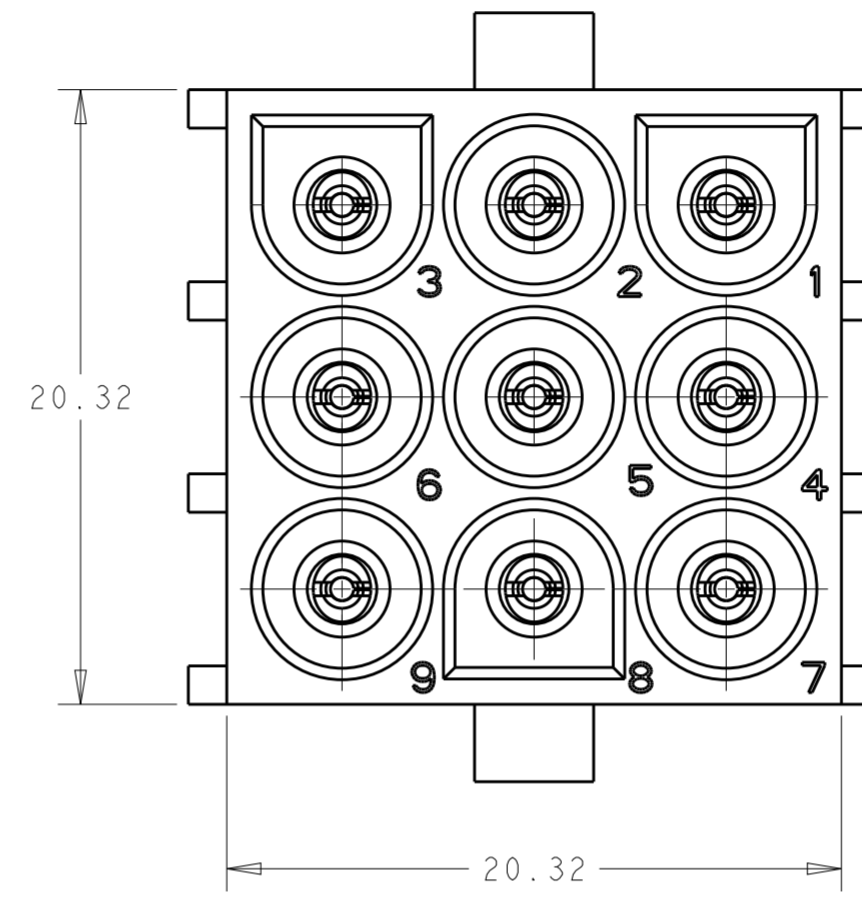
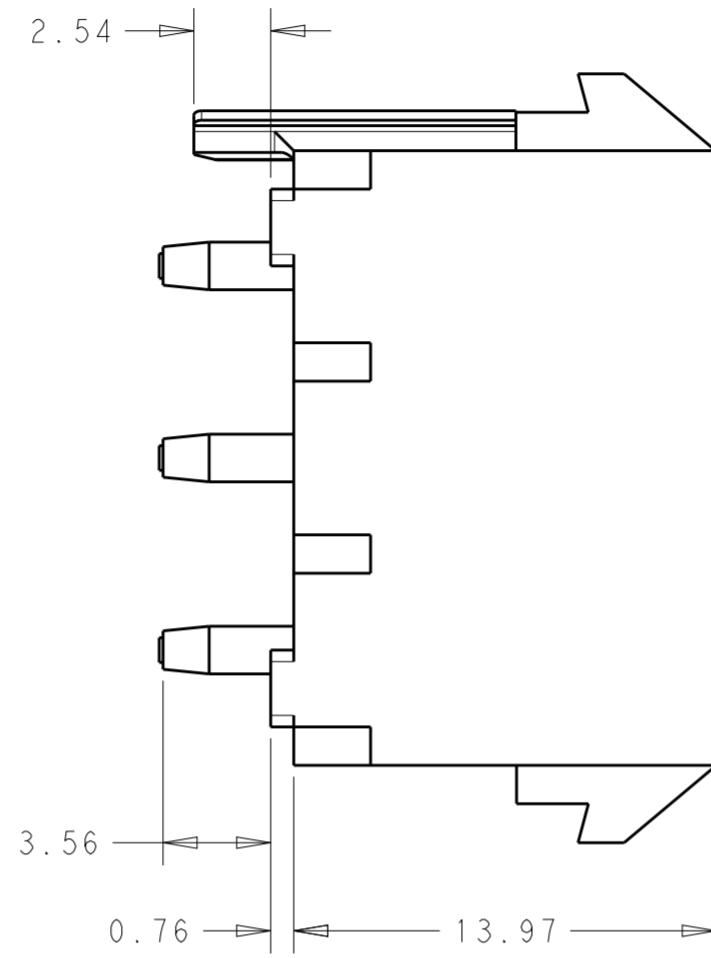
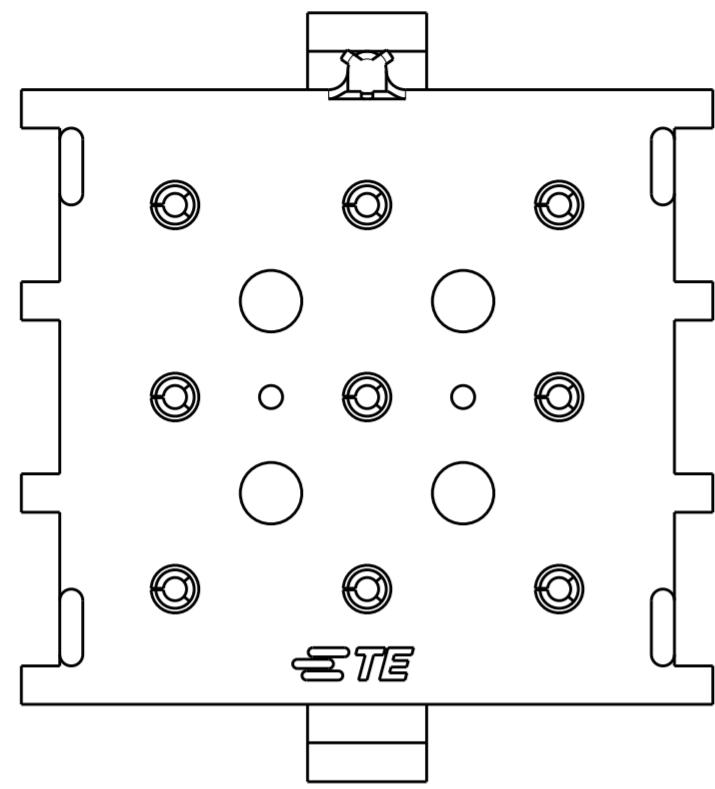
2213755-1, 1-2213755-1 SHOWN

COLOR	POSITION	PART NO.
BLACK	15 POS UMNL HEADER HOUSING POLARIZED	1-2213755-4
BLACK	12 POS UMNL HEADER HOUSING POLARIZED	1-2213755-3
BLACK	9 POS UMNL HEADER HOUSING POLARIZED	1-2213755-2
BLACK	6 POS UMNL HEADER HOUSING POLARIZED	1-2213755-1
NATURAL	15 POS UMNL HEADER HOUSING POLARIZED	2213755-4
NATURAL	12 POS UMNL HEADER HOUSING POLARIZED	2213755-3
NATURAL	9 POS UMNL HEADER HOUSING POLARIZED	2213755-2
NATURAL	6 POS UMNL HEADER HOUSING POLARIZED	2213755-1

THIS DRAWING IS A CONTROLLED DOCUMENT.		DWN J. SHAFFER 02NOV2015	TE Connectivity	
DIMENSIONS: mm		CHK M. MOSTOLLER 02NOV2015		
TOLERANCES UNLESS OTHERWISE SPECIFIED:		APVD M. MOSTOLLER 02NOV2015	NAME 3 ROW PIN HEADER ASSEMBLY, UMNL, HIGH TEMPERATURE	
0 PLC ±- 1 PLC ±0.5 2 PLC ±0.13 3 PLC ±- 4 PLC ±- ANGLES ±- FINISH ±-		PRODUCT SPEC 108-1053	RESTRICTED TO	
MATERIAL		APPLICATION SPEC 114-133083	SIZE A2	CAGE CODE -
		WEIGHT -	DRAWING NO C-2213755	
		CUSTOMER DRAWING	SCALE 2:1	SHEET 1 OF 4
			REV A1	

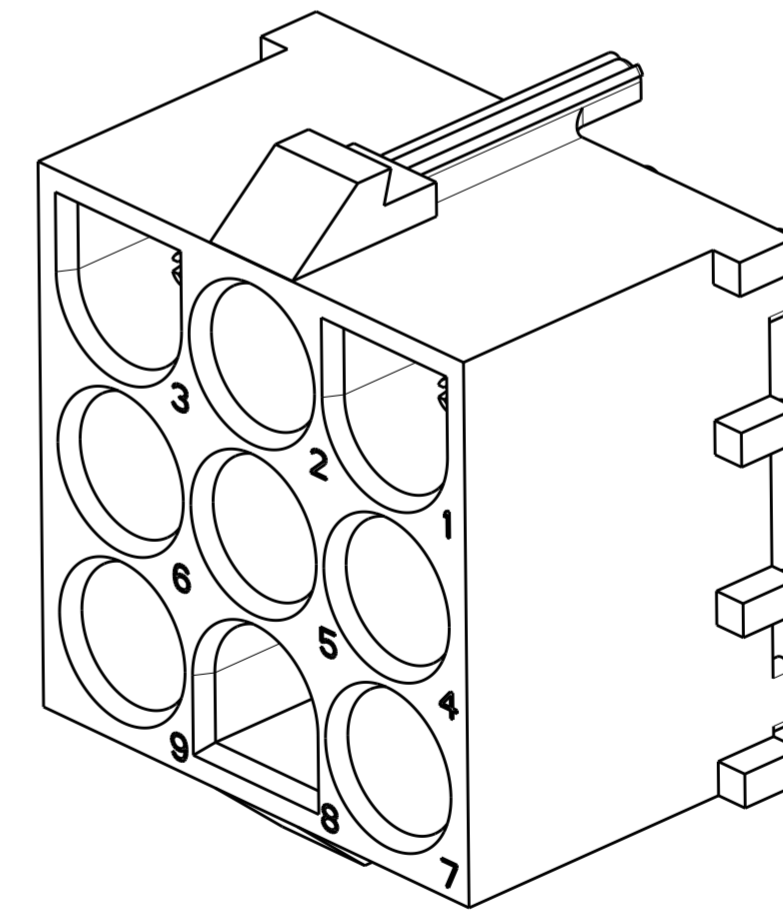
THIS DRAWING IS UNPUBLISHED. RELEASED FOR PUBLICATION 20
 © COPYRIGHT 20 BY - ALL RIGHTS RESERVED.

REVISIONS				
P	LTR	DESCRIPTION	DATE	APVD
		SEE SHEET 1		



RECOMMENDED MOUNTING HOLE PATTERN
 FOR 1.57 THICK PC BOARD
 SCALE 4:1

2213755-2, 1-2213755-2
 SHOWN

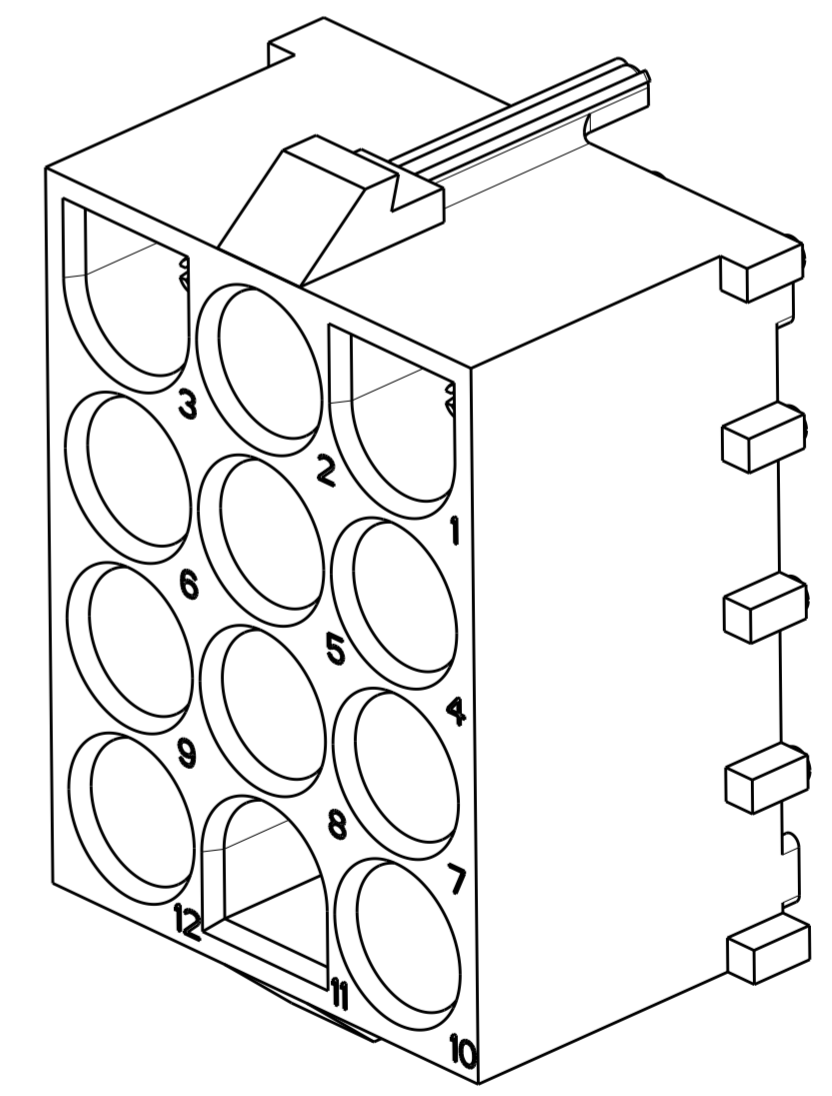
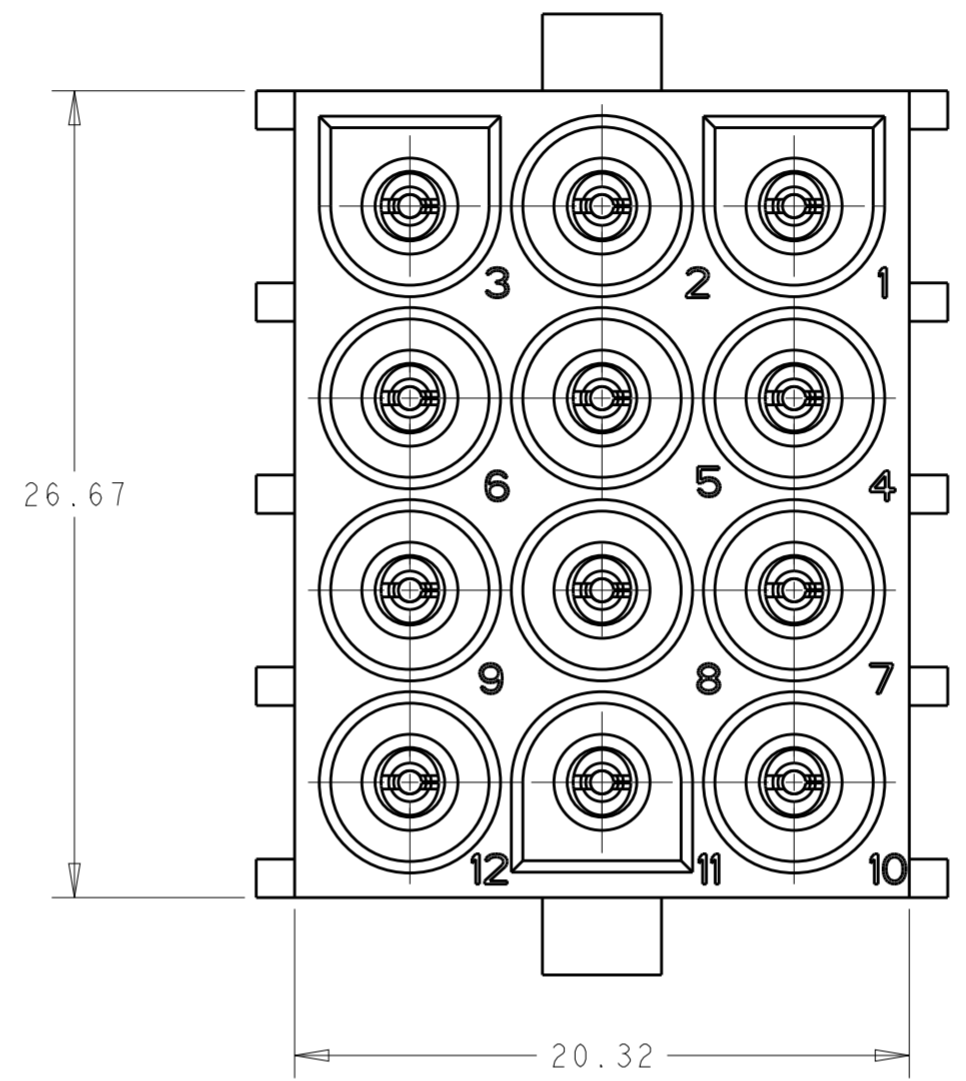
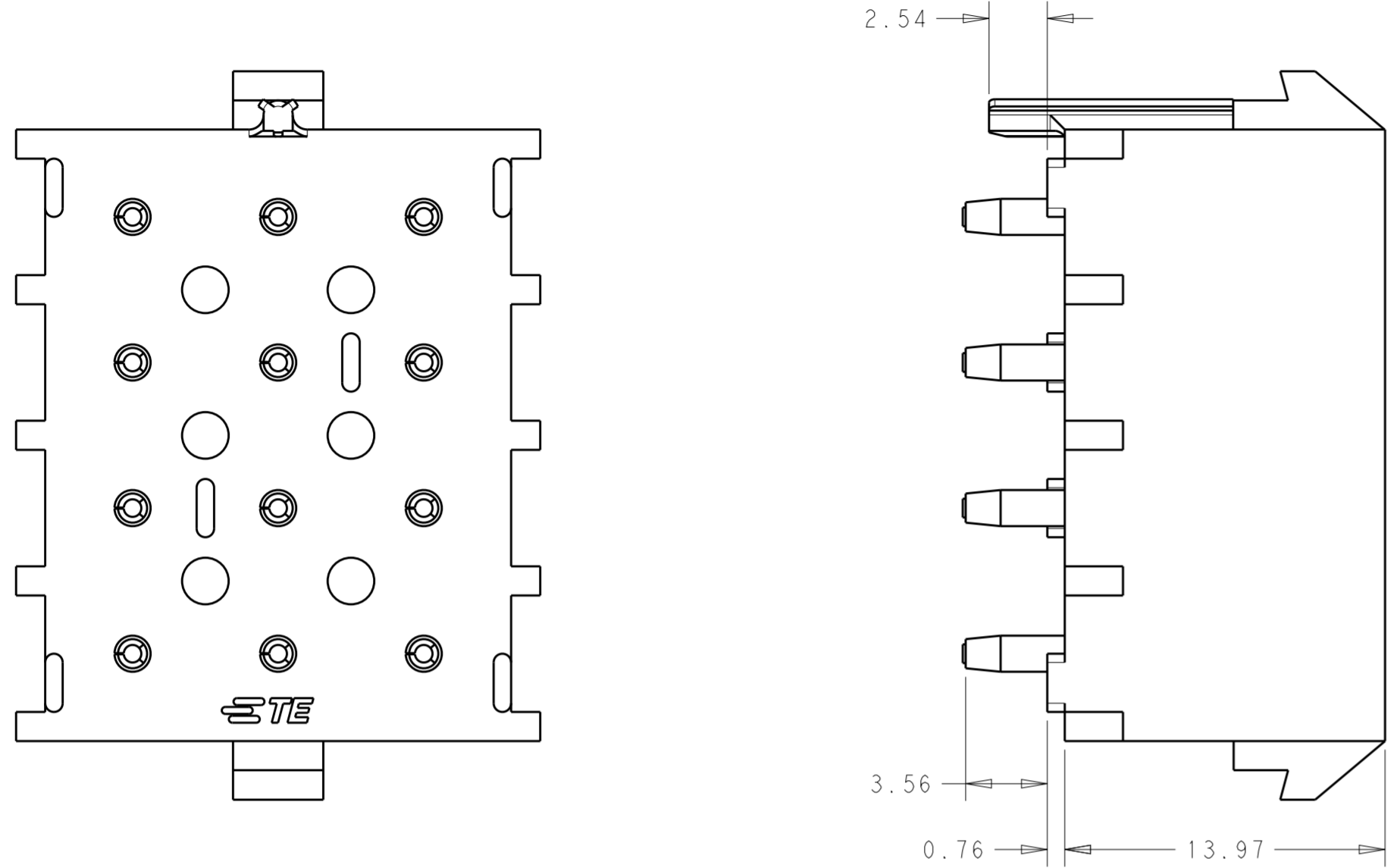


SCALE 4:1

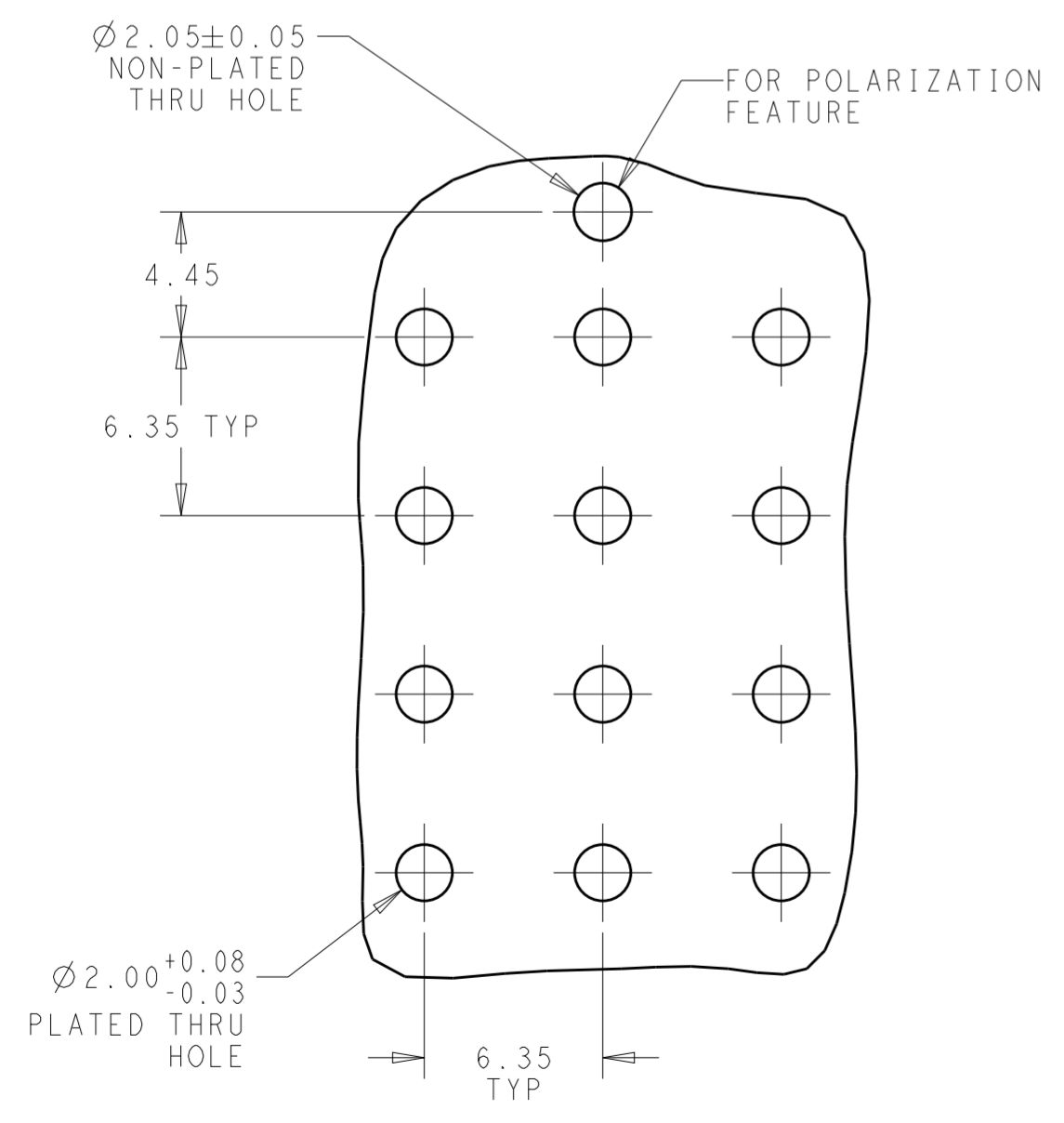
THIS DRAWING IS A CONTROLLED DOCUMENT.		DWN J. SHAFFER 02NOV2015	TE Connectivity	
DIMENSIONS: mm		CHK M. MOSTOLLER 02NOV2015		
TOLERANCES UNLESS OTHERWISE SPECIFIED:		APVD M. MOSTOLLER 02NOV2015	NAME 3 ROW PIN HEADER ASSEMBLY, UMNL, HIGH TEMPERATURE	
0 PLC ± 1 PLC ±0.5 2 PLC ±0.13 3 PLC ± 4 PLC ± ANGLES ± FINISH ±		PRODUCT SPEC 108-1053	RESTRICTED TO	
MATERIAL		APPLICATION SPEC 114-133083	SIZE A2	CAGE CODE -
		WEIGHT -	DRAWING NO C-2213755	SCALE 2:1
		CUSTOMER DRAWING	SHEET 2 OF 4	REV A1

THIS DRAWING IS UNPUBLISHED. RELEASED FOR PUBLICATION 20
 © COPYRIGHT 20 BY - ALL RIGHTS RESERVED.

REVISIONS				
P	LTR	DESCRIPTION	DATE	APVD
		SEE SHEET 1		



SCALE 4:1



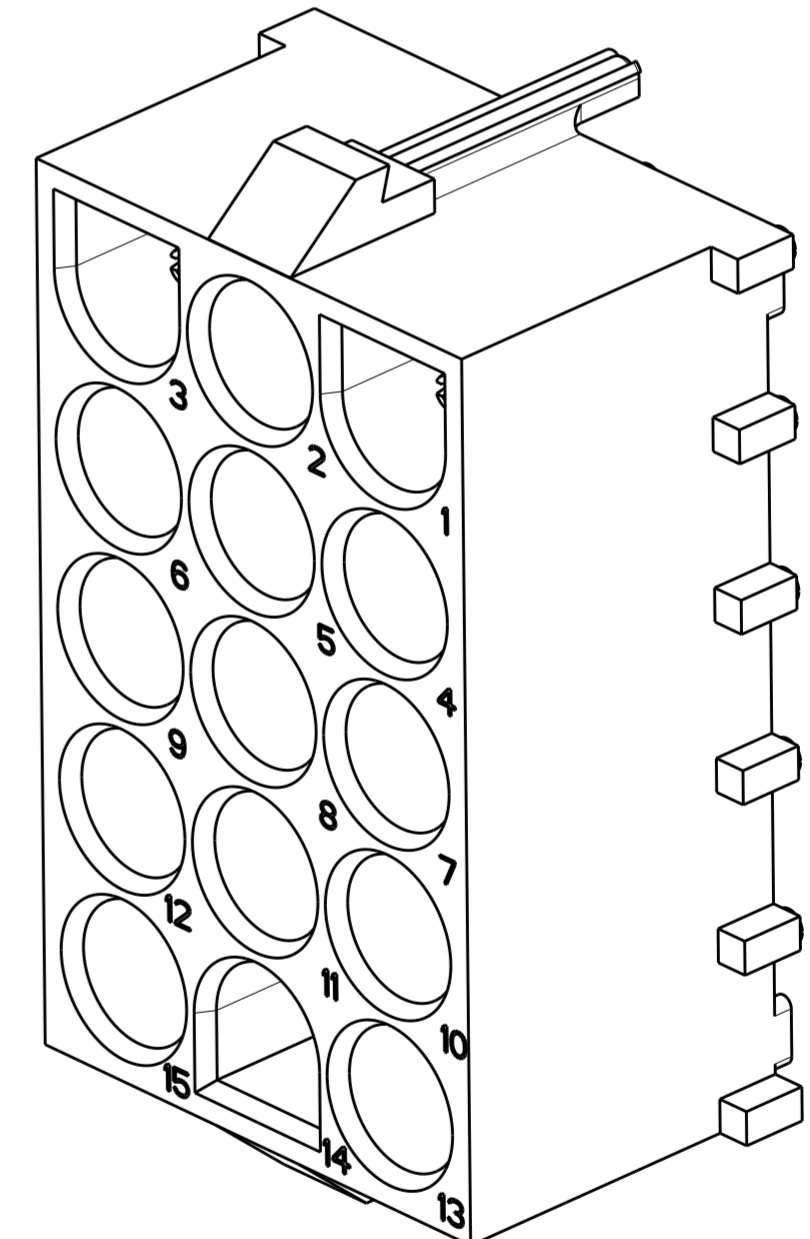
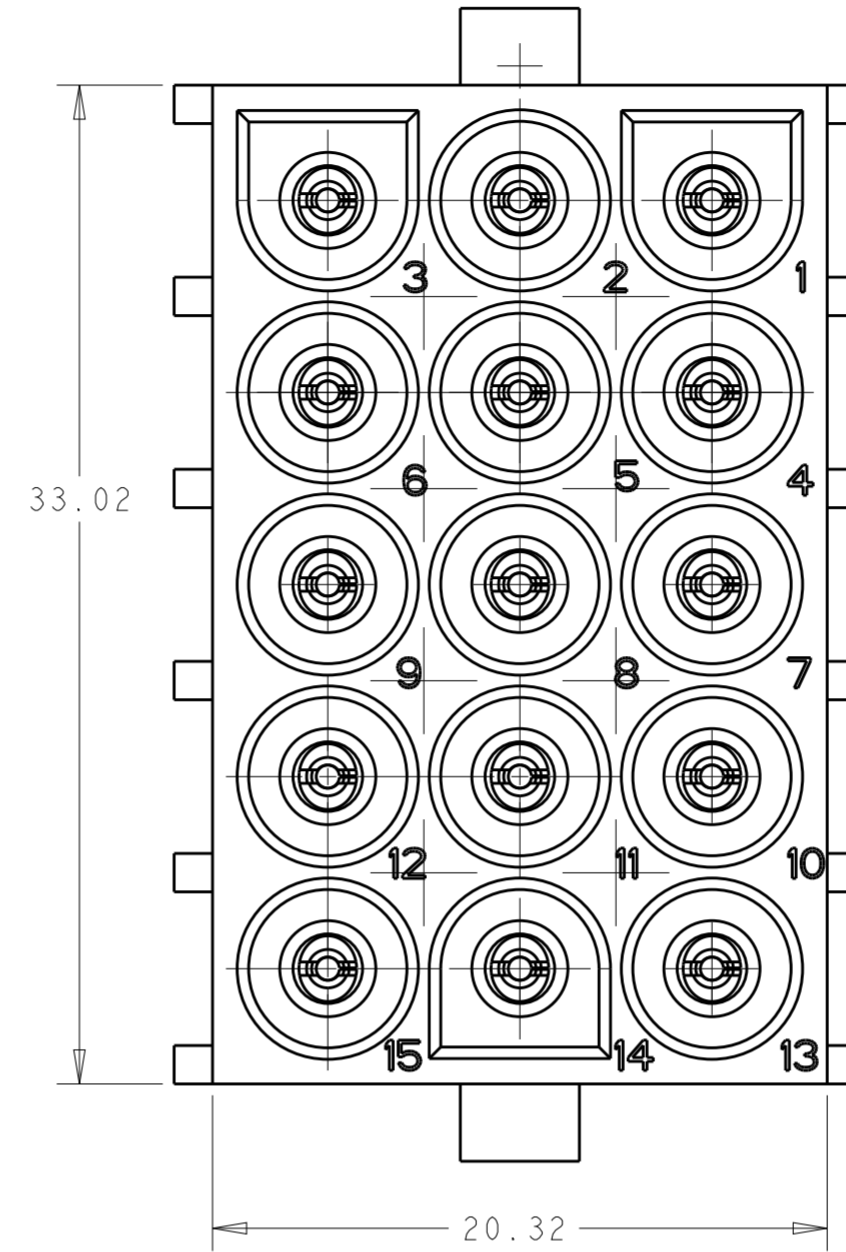
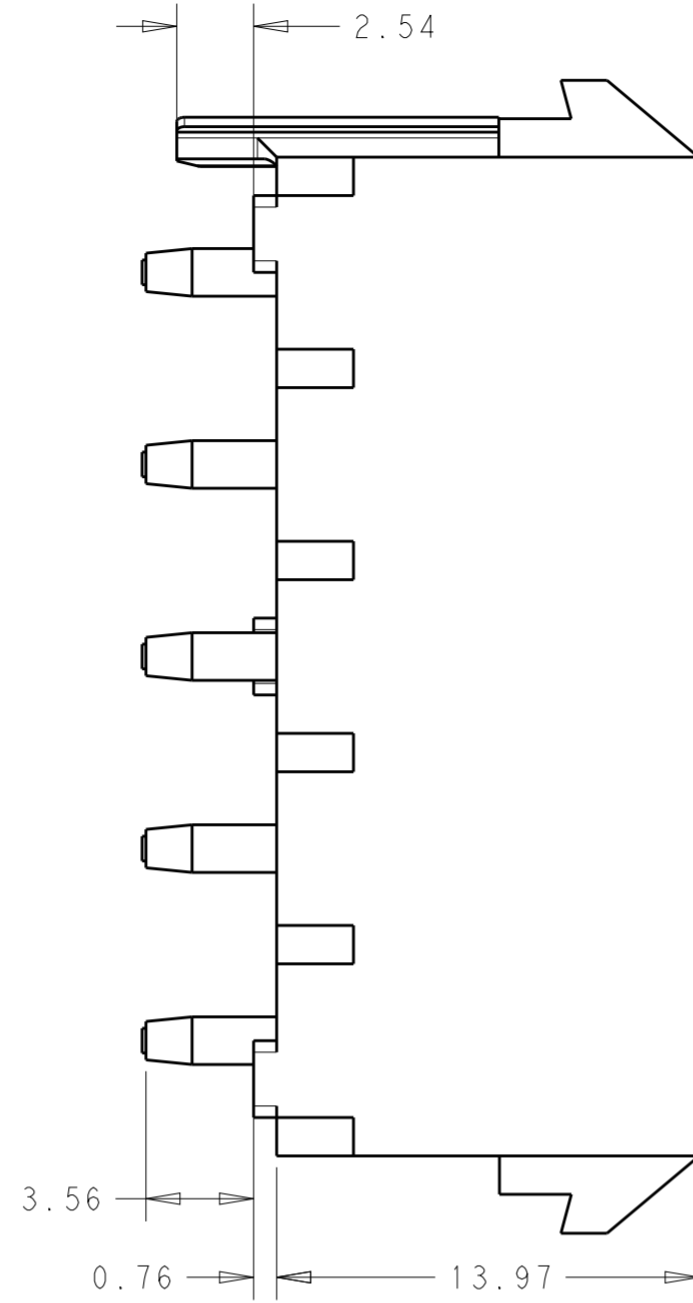
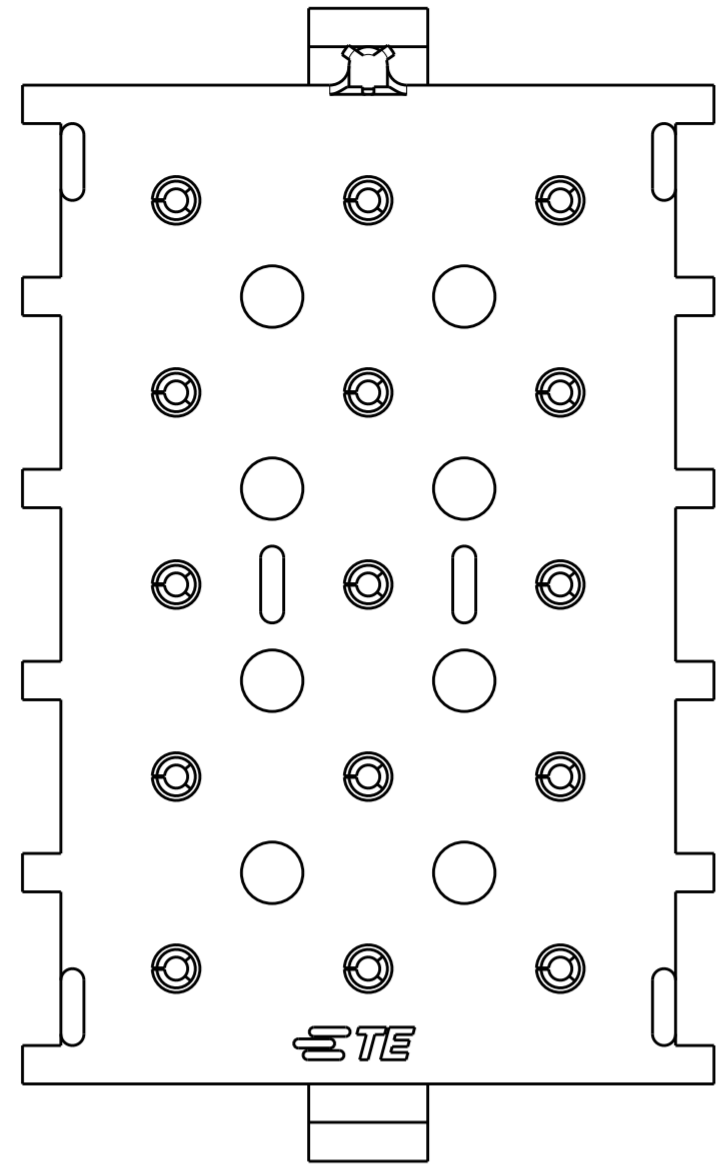
RECOMMENDED MOUNTING HOLE PATTERN FOR 1.57 THICK PC BOARD SCALE 4:1

2213755-3, 1-2213755-3 SHOWN

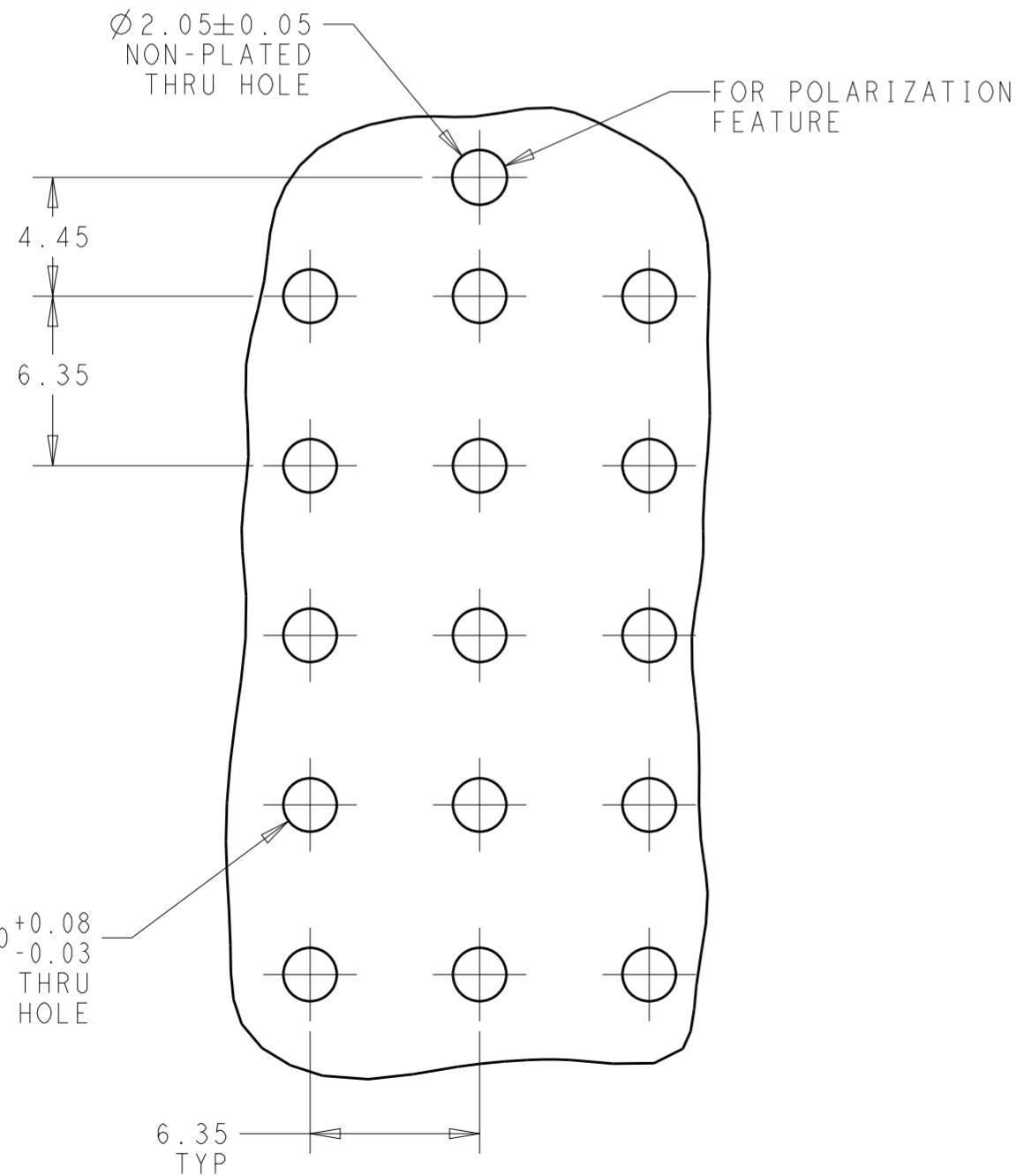
THIS DRAWING IS A CONTROLLED DOCUMENT.		DWN J. SHAFFER 02NOV2015	TE Connectivity	
DIMENSIONS: mm		CHK M. MOSTOLLER 02NOV2015		
TOLERANCES UNLESS OTHERWISE SPECIFIED:		APVD M. MOSTOLLER 02NOV2015	NAME 3 ROW PIN HEADER ASSEMBLY, UMNL, HIGH TEMPERATURE	
0 PLC ±	1 PLC ±0.5	PRODUCT SPEC 108-1053	SIZE A2	CAGE CODE -
2 PLC ±0.13	3 PLC ±	APPLICATION SPEC 114-133083	DRAWING NO C-2213755	RESTRICTED TO -
4 PLC ±	ANGLES ±	WEIGHT -	SCALE 2:1	SHEET 3 OF 4
FINISH -	FINISH -	CUSTOMER DRAWING	REV A1	

THIS DRAWING IS UNPUBLISHED. RELEASED FOR PUBLICATION 20
 © COPYRIGHT 20 BY - ALL RIGHTS RESERVED.

REVISIONS				
P	LTR	DESCRIPTION	DATE	APVD
		SEE SHEET 1		



SCALE 4:1



$\varnothing 2.00^{+0.08}_{-0.03}$
PLATED THRU HOLE

$\varnothing 2.05 \pm 0.05$
NON-PLATED THRU HOLE

RECOMMENDED MOUNTING HOLE PATTERN FOR 1.57 THICK PC BOARD SCALE 4:1

2213755-4, 1-2213755-4 SHOWN

THIS DRAWING IS A CONTROLLED DOCUMENT.		DWN J. SHAFFER 02NOV2015	TE Connectivity	
DIMENSIONS:		CHK M. MOSTOLLER 02NOV2015		
mm	TOLERANCES UNLESS OTHERWISE SPECIFIED:	APVD M. MOSTOLLER 02NOV2015	NAME 3 ROW PIN HEADER ASSEMBLY, UMNL, HIGH TEMPERATURE	
	0 PLC ±	PRODUCT SPEC 108-1053	SIZE A2	CAGE CODE -
	1 PLC ±0.5	APPLICATION SPEC 114-133083	DRAWING NO C-2213755	RESTRICTED TO -
	2 PLC ±0.13	WEIGHT -	SCALE 2:1	SHEET 4 OF 4
	3 PLC ±	CUSTOMER DRAWING	REV A1	
	4 PLC ±			
	ANGLES ±			
	FINISH -			
	-			