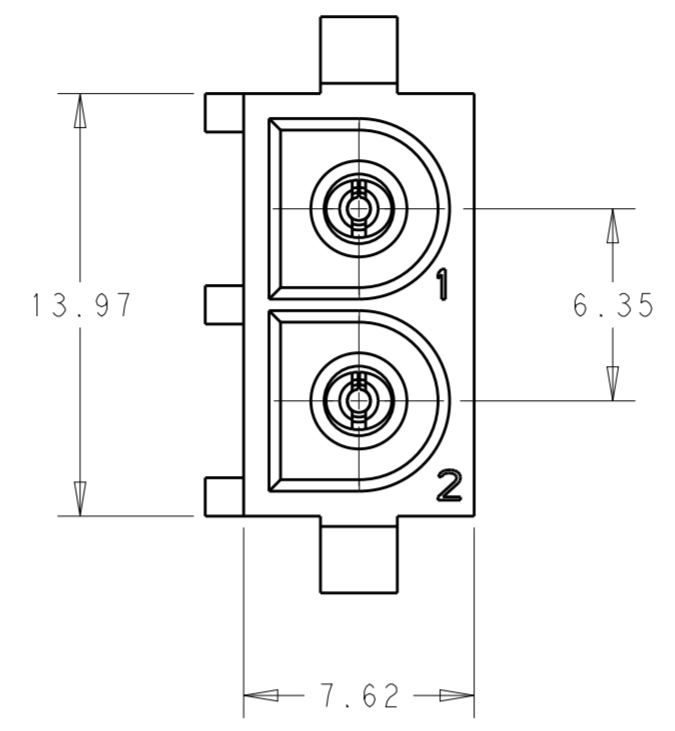
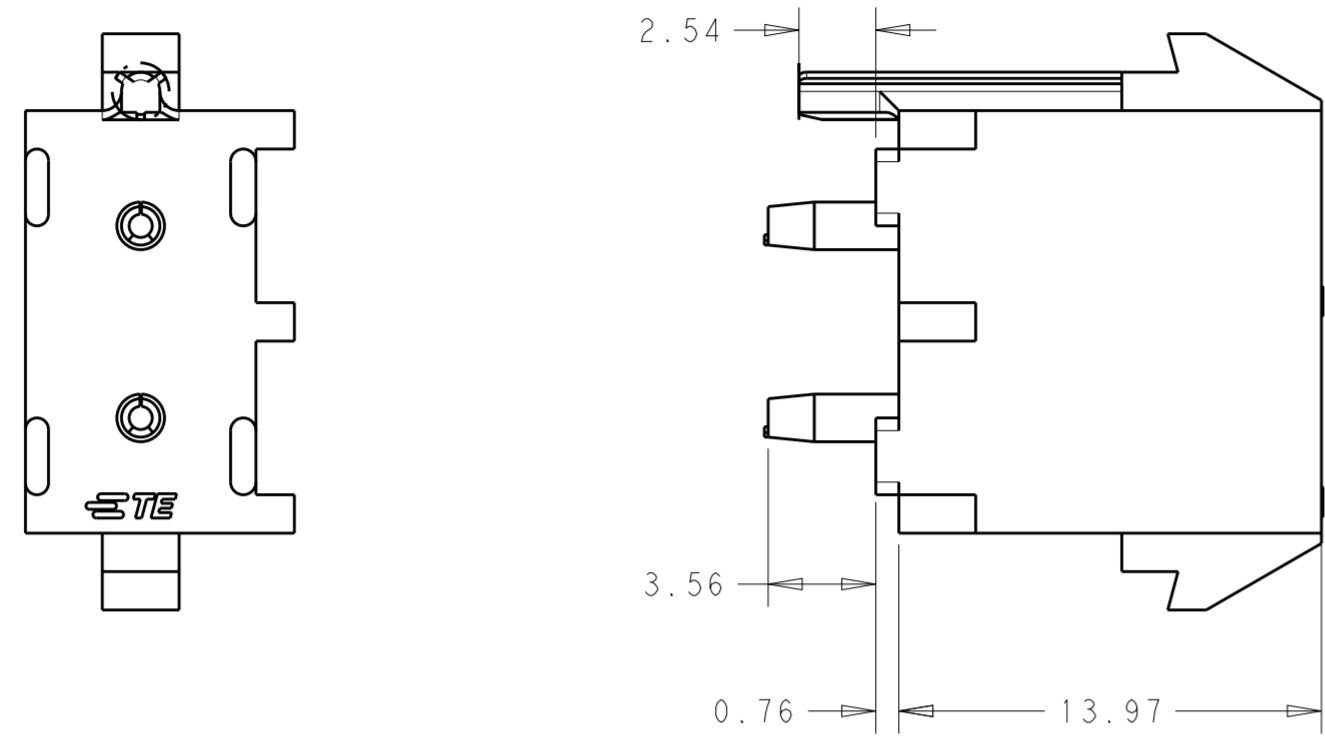


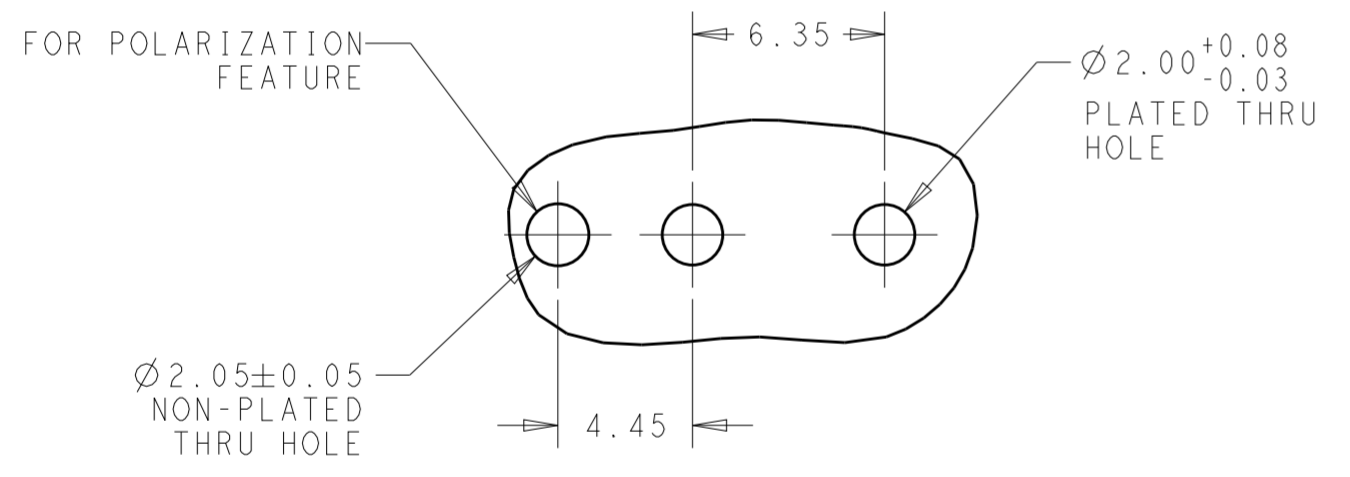
THIS DRAWING IS UNPUBLISHED. RELEASED FOR PUBLICATION 20  
 © COPYRIGHT 20 BY - ALL RIGHTS RESERVED.

REVISIONS				
P	LTR	DESCRIPTION	DATE	APVD
	A	RELEASED FOR PRODUCTION	10NOV2017	RK JL

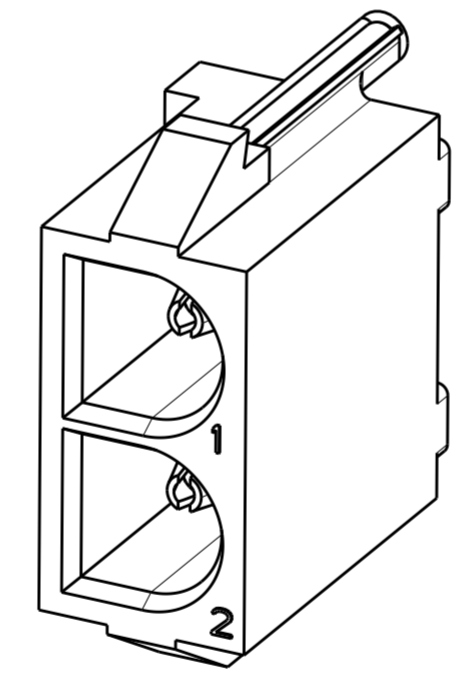


NOTES:

- PARTS COMPLY TO TE SOLDERABILITY SPEC 109-11-3.
- MATERIALS:
  - HOUSING: GF-LCP  
COLOR: SEE TABLE
  - CONTACT: PHOSPHOR BRONZE  
PLATING: TIN.



RECOMMENDED MOUNTING HOLE PATTERN  
 FOR 1.57 THICK PC BOARD  
 SCALE 4:1



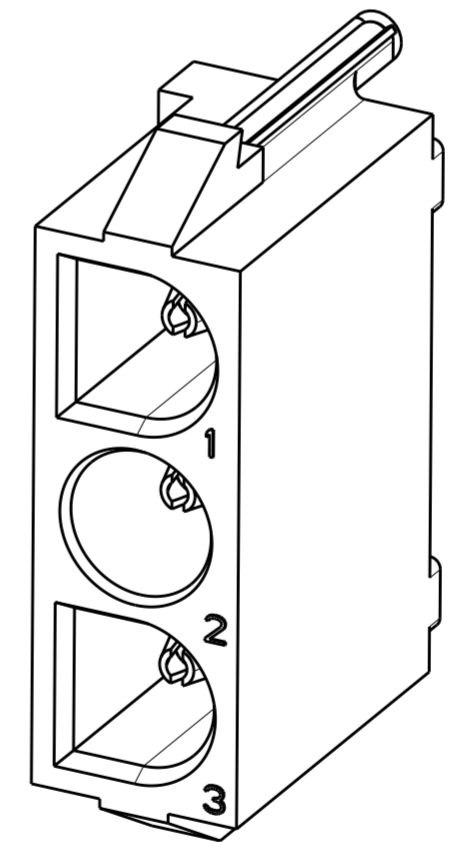
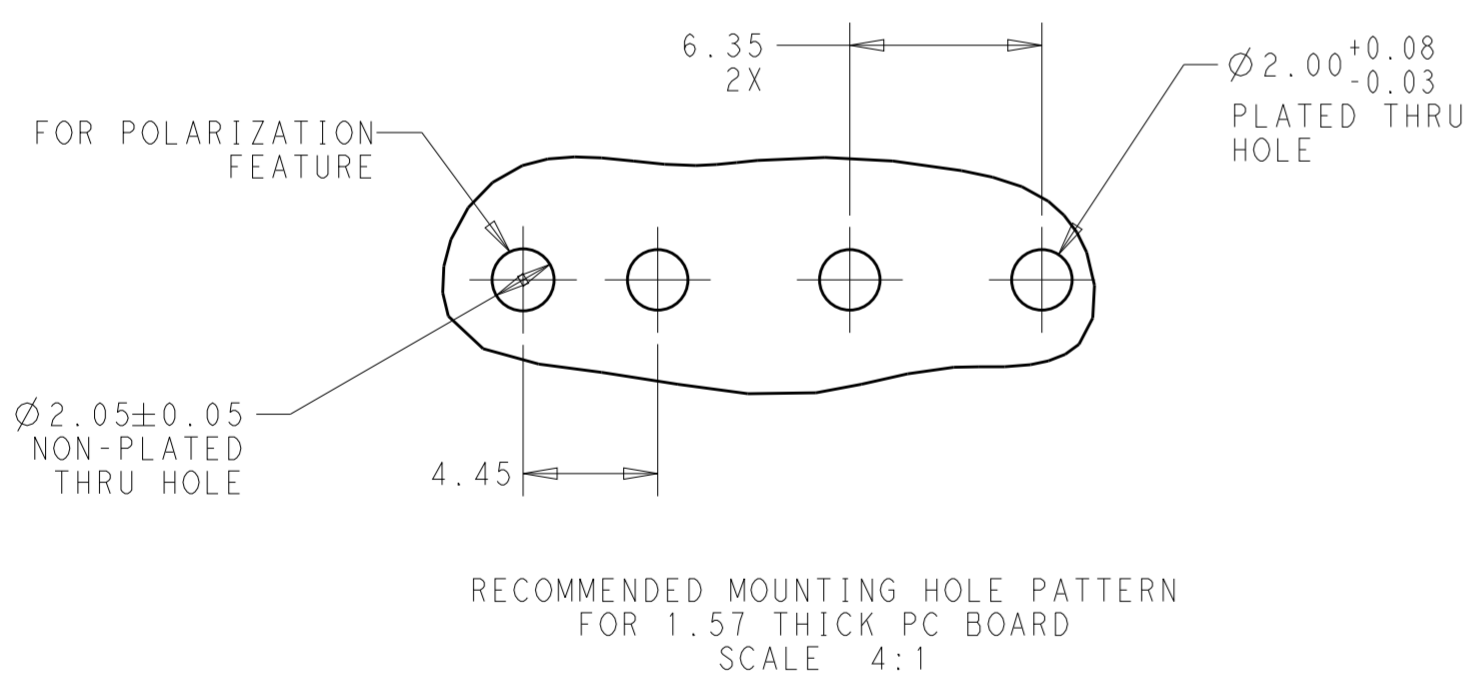
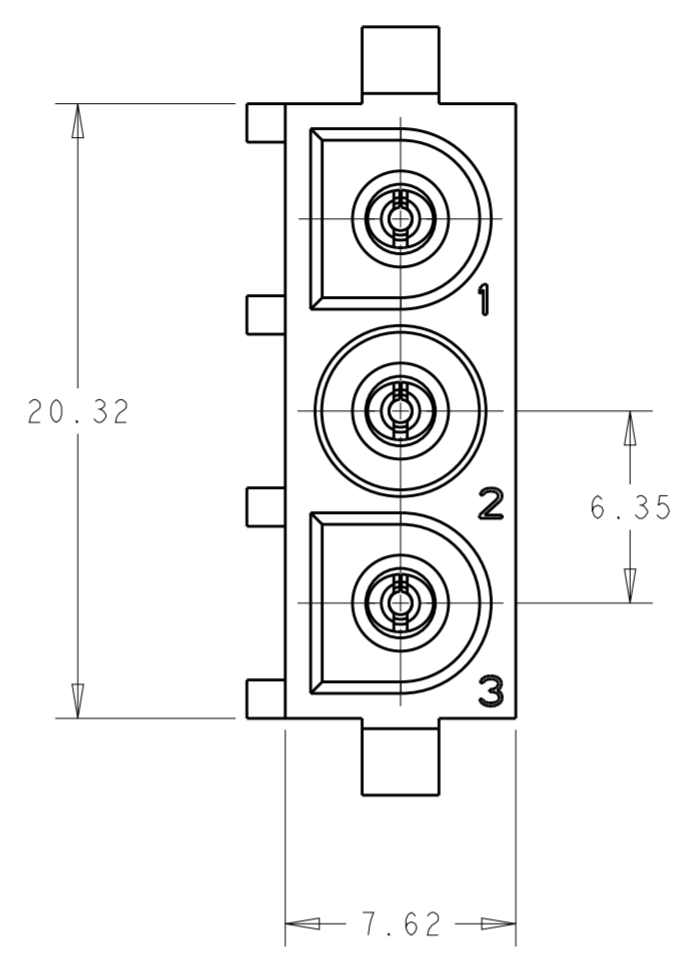
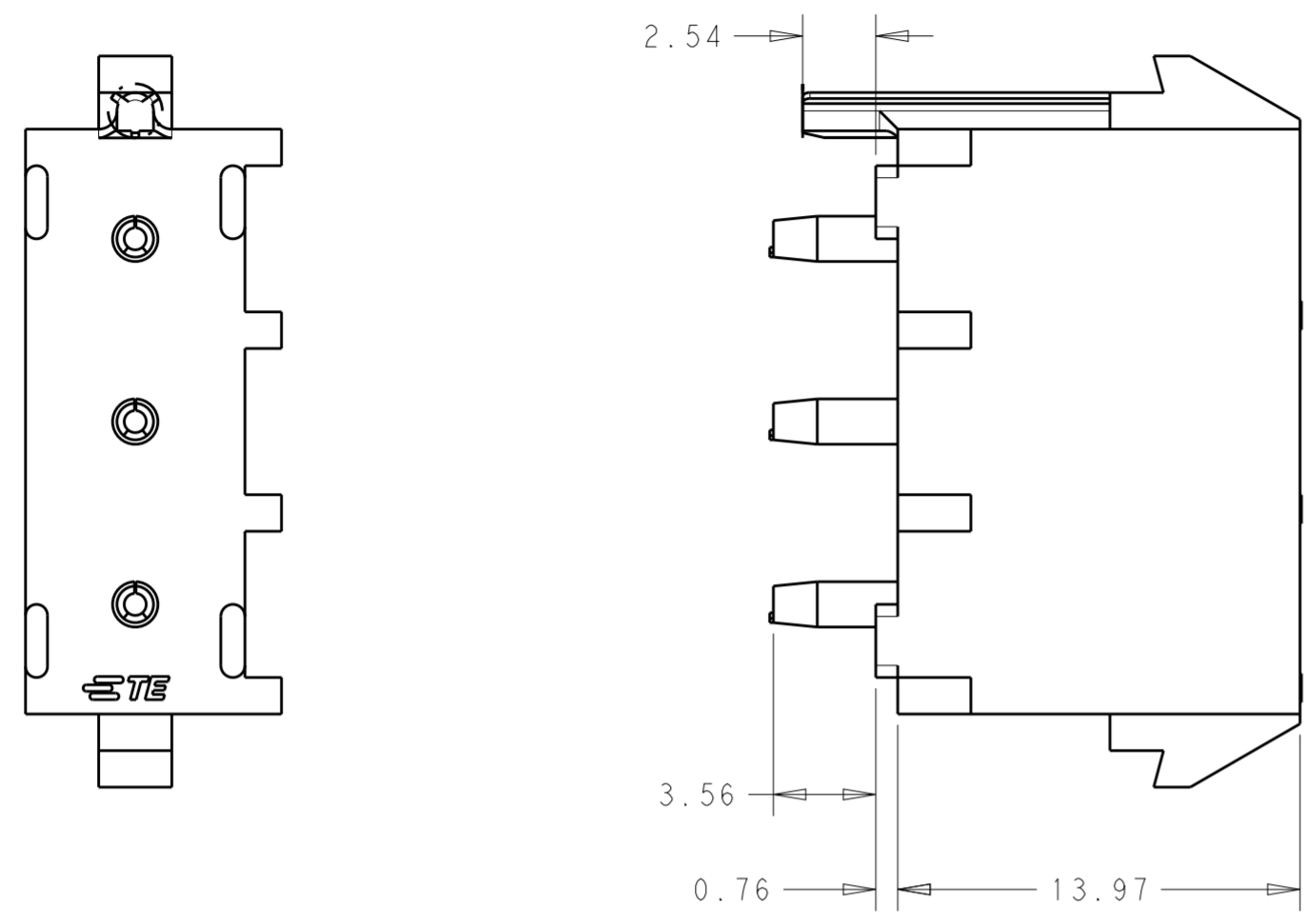
2213752-1, 1-2213752-1  
 SHOWN

COLOR	POSITION	PART NO.
BLACK	6 POS UMNL HEADER HOUSING POLARIZED	1-2213752-5
BLACK	5 POS UMNL HEADER HOUSING POLARIZED	1-2213752-4
BLACK	4 POS UMNL HEADER HOUSING POLARIZED	1-2213752-3
BLACK	3 POS UMNL HEADER HOUSING POLARIZED	1-2213752-2
BLACK	2 POS UMNL HEADER HOUSING POLARIZED	1-2213752-1
NATURAL	6 POS UMNL HEADER HOUSING POLARIZED	2213752-5
NATURAL	5 POS UMNL HEADER HOUSING POLARIZED	2213752-4
NATURAL	4 POS UMNL HEADER HOUSING POLARIZED	2213752-3
NATURAL	3 POS UMNL HEADER HOUSING POLARIZED	2213752-2
NATURAL	2 POS UMNL HEADER HOUSING POLARIZED	2213752-1

THIS DRAWING IS A CONTROLLED DOCUMENT.		DWN J. SHAFFER 30OCT2015	TE Connectivity	
DIMENSIONS: mm		CHK M. MOSTOLLER 30OCT2015		
TOLERANCES UNLESS OTHERWISE SPECIFIED:		APVD M. MOSTOLLER 30OCT2015	NAME PIN HEADER ASSEMBLY POLARIZED, UMNL, HIGH TEMPERATURE	
0 PLC ± 1 PLC ±0.5 2 PLC ±0.13 3 PLC ± 4 PLC ± ANGLES ± FINISH ±		PRODUCT SPEC 108-1053	RESTRICTED TO	
MATERIAL		APPLICATION SPEC 114-133083	SIZE A2	CAGE CODE
		WEIGHT	DRAWING NO C-2213752	
		CUSTOMER DRAWING	SCALE 2:1	SHEET 1 OF 5
			REV A	

THIS DRAWING IS UNPUBLISHED. RELEASED FOR PUBLICATION 20  
 © COPYRIGHT 20 BY - ALL RIGHTS RESERVED.

REVISIONS				
P	LTR	DESCRIPTION	DATE	APVD
		SEE SHEET 1		

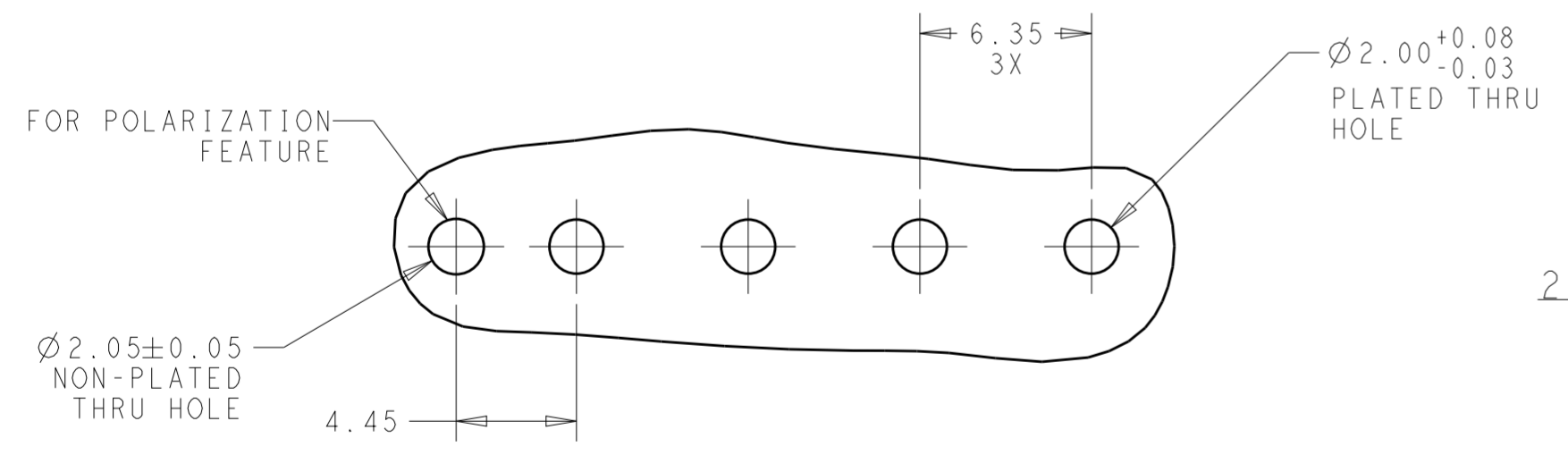
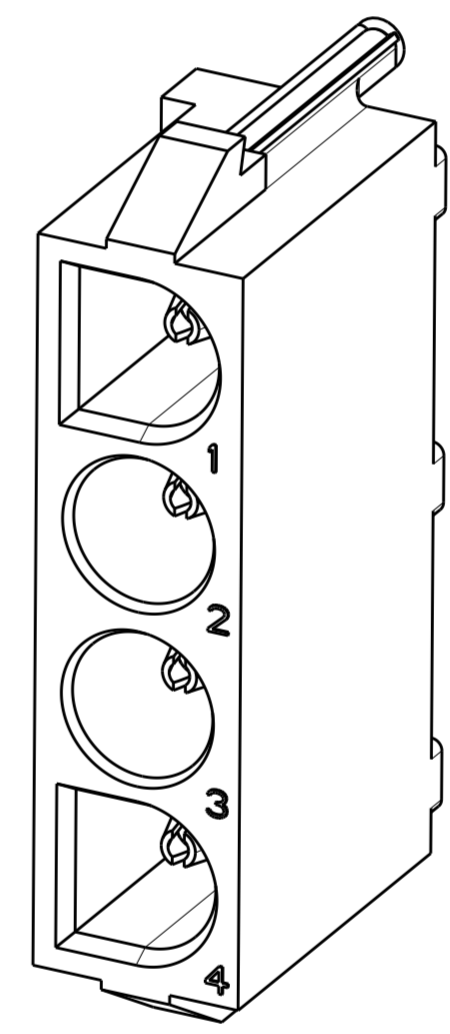
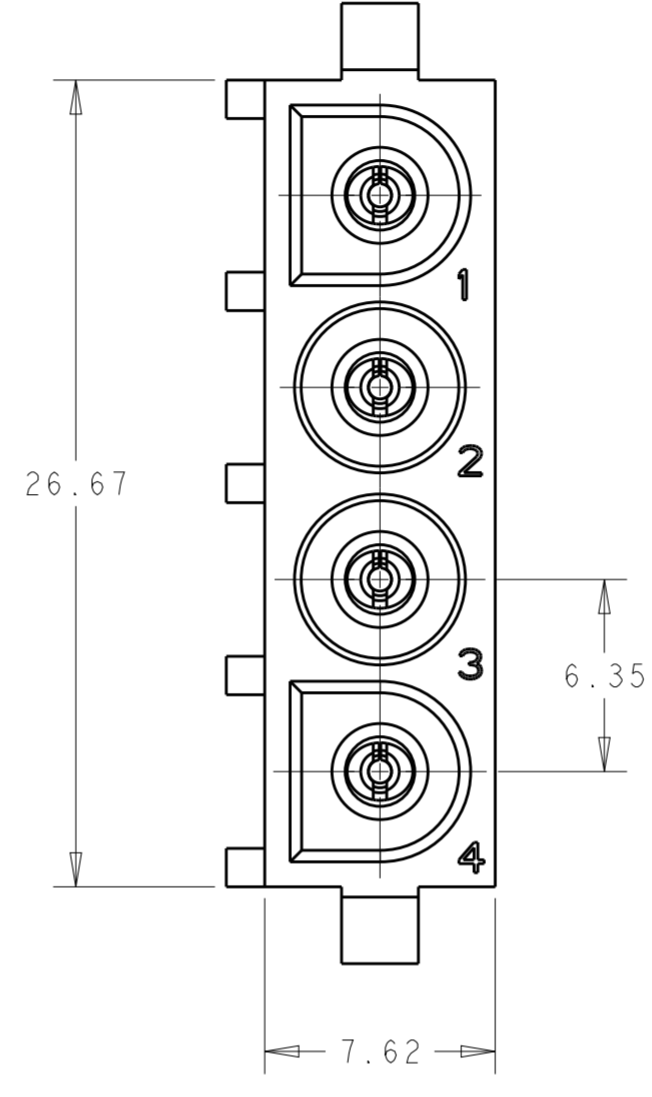
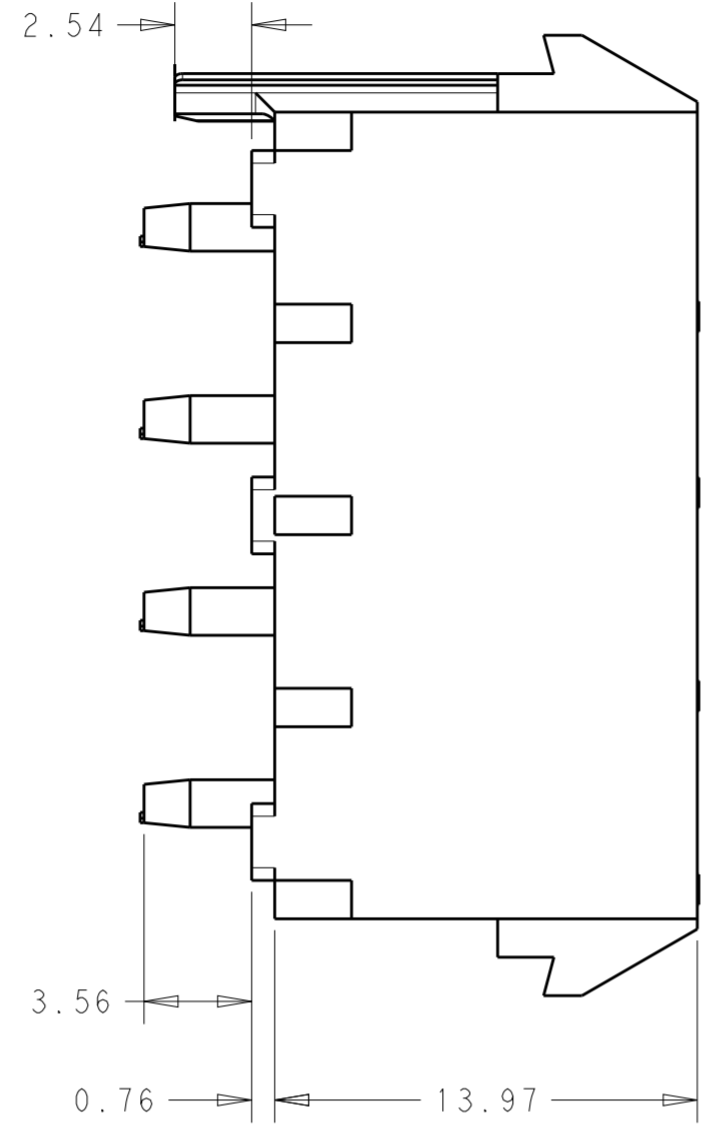
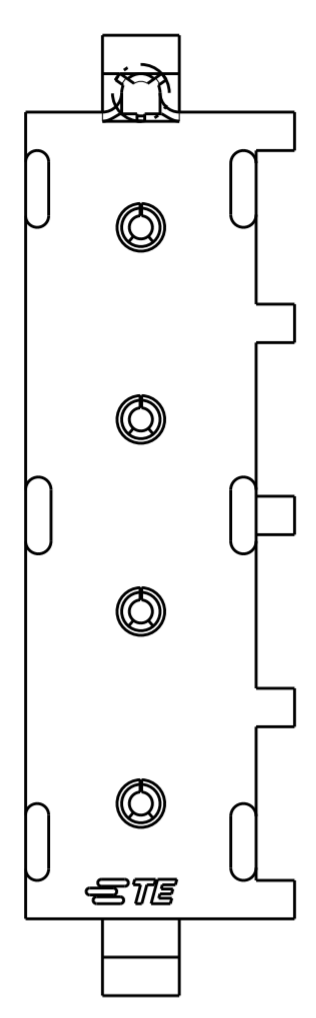


2213752-2\_1-2213752-2  
 SHOWN

THIS DRAWING IS A CONTROLLED DOCUMENT.		DWN J. SHAFFER 30OCT2015	TE Connectivity	
DIMENSIONS: mm		CHK M. MOSTOLLER 30OCT2015		
TOLERANCES UNLESS OTHERWISE SPECIFIED:		APVD M. MOSTOLLER 30OCT2015	NAME PIN HEADER ASSEMBLY POLARIZED, UMNL, HIGH TEMPERATURE	
0 PLC ±	1 PLC ±0.5	PRODUCT SPEC 108-1053	SIZE A2	CAGE CODE -
2 PLC ±0.13	3 PLC ±	APPLICATION SPEC 114-133083	DRAWING NO C-2213752	RESTRICTED TO -
4 PLC ±	ANGLES ±	WEIGHT -	SCALE 2:1	SHEET 2 OF 5
MATERIAL -	FINISH -	CUSTOMER DRAWING	REV A	

THIS DRAWING IS UNPUBLISHED. RELEASED FOR PUBLICATION 20  
 © COPYRIGHT 20 BY - ALL RIGHTS RESERVED.

REVISIONS				
P	LTR	DESCRIPTION	DATE	APVD
		SEE SHEET 1		



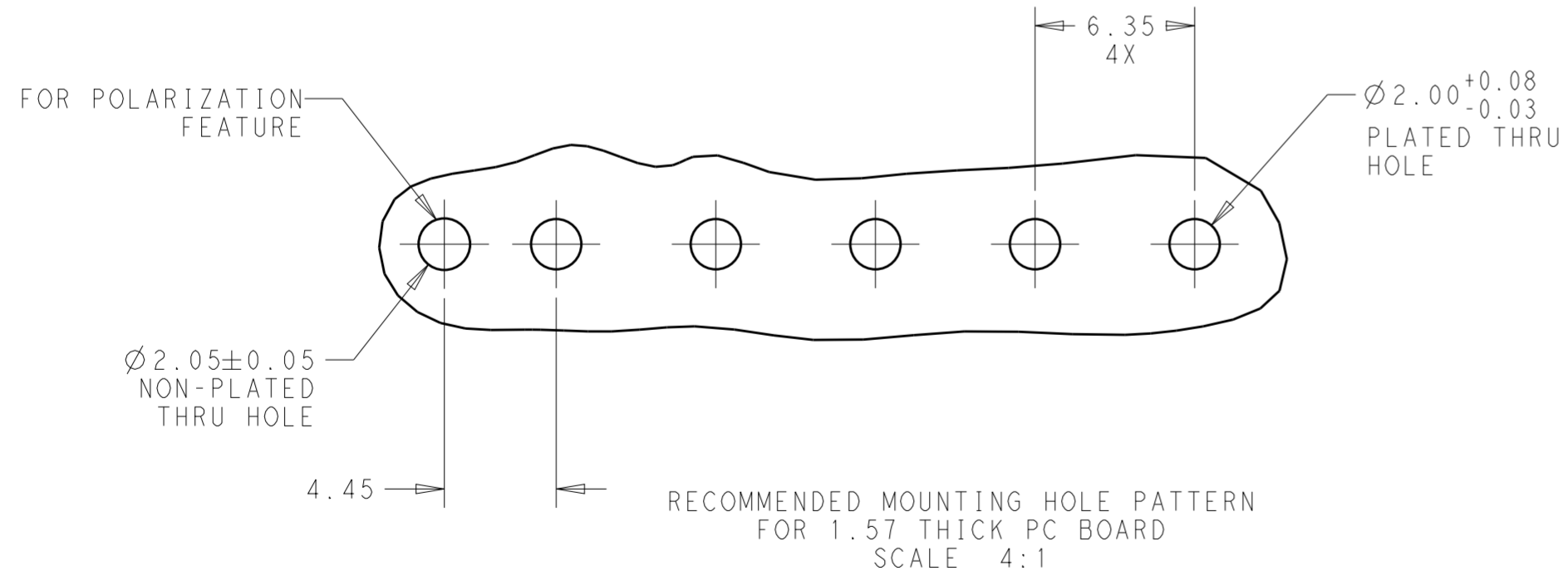
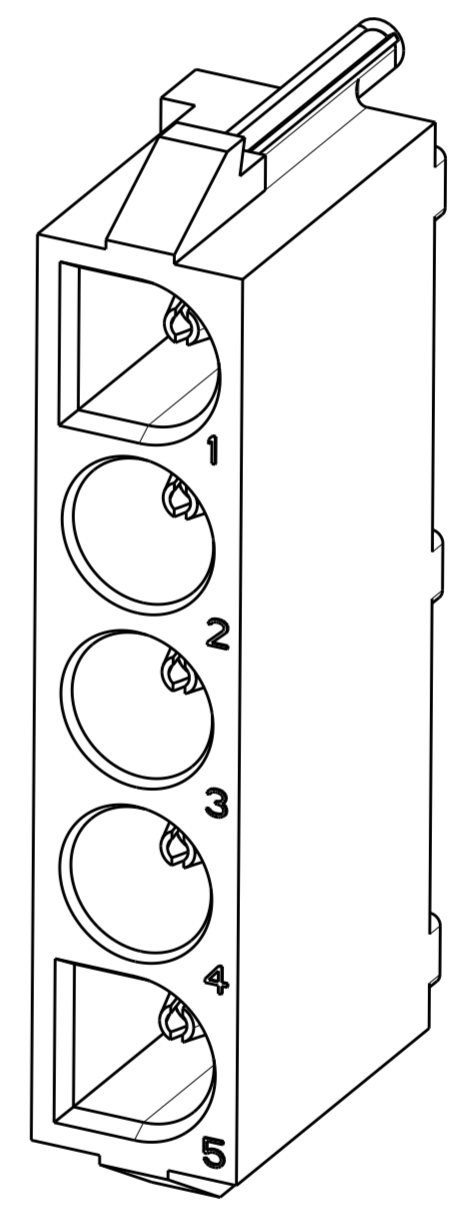
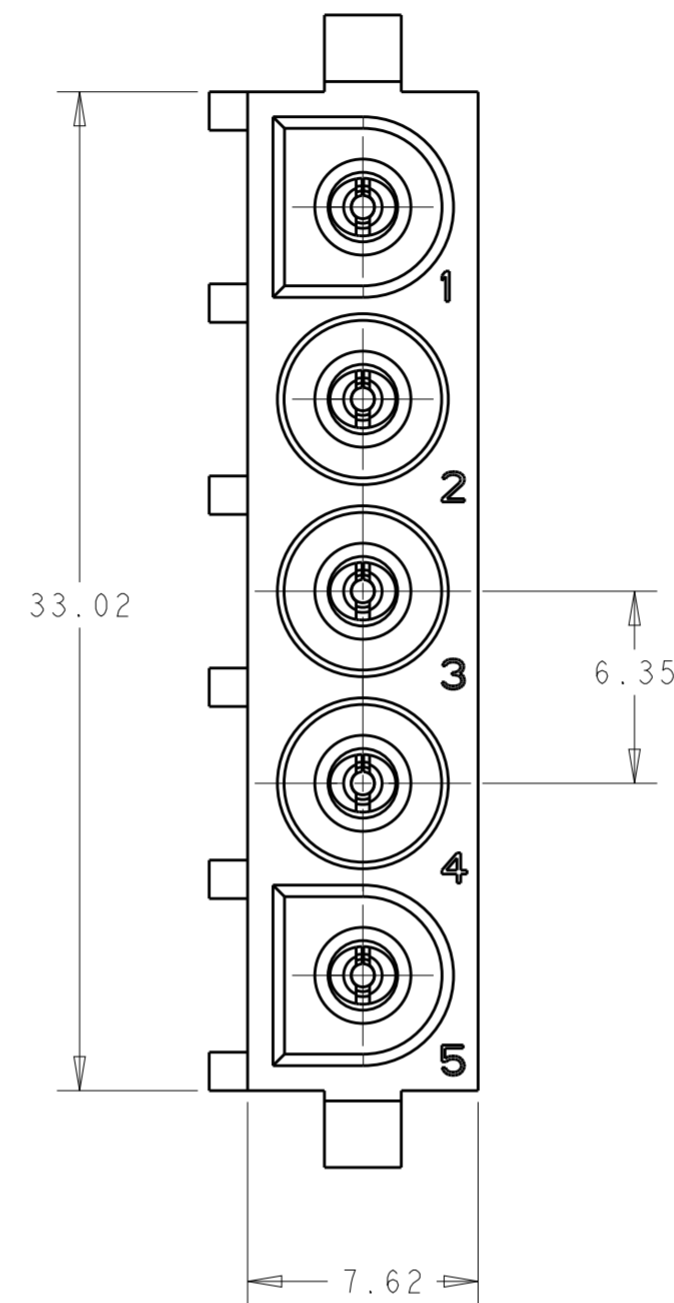
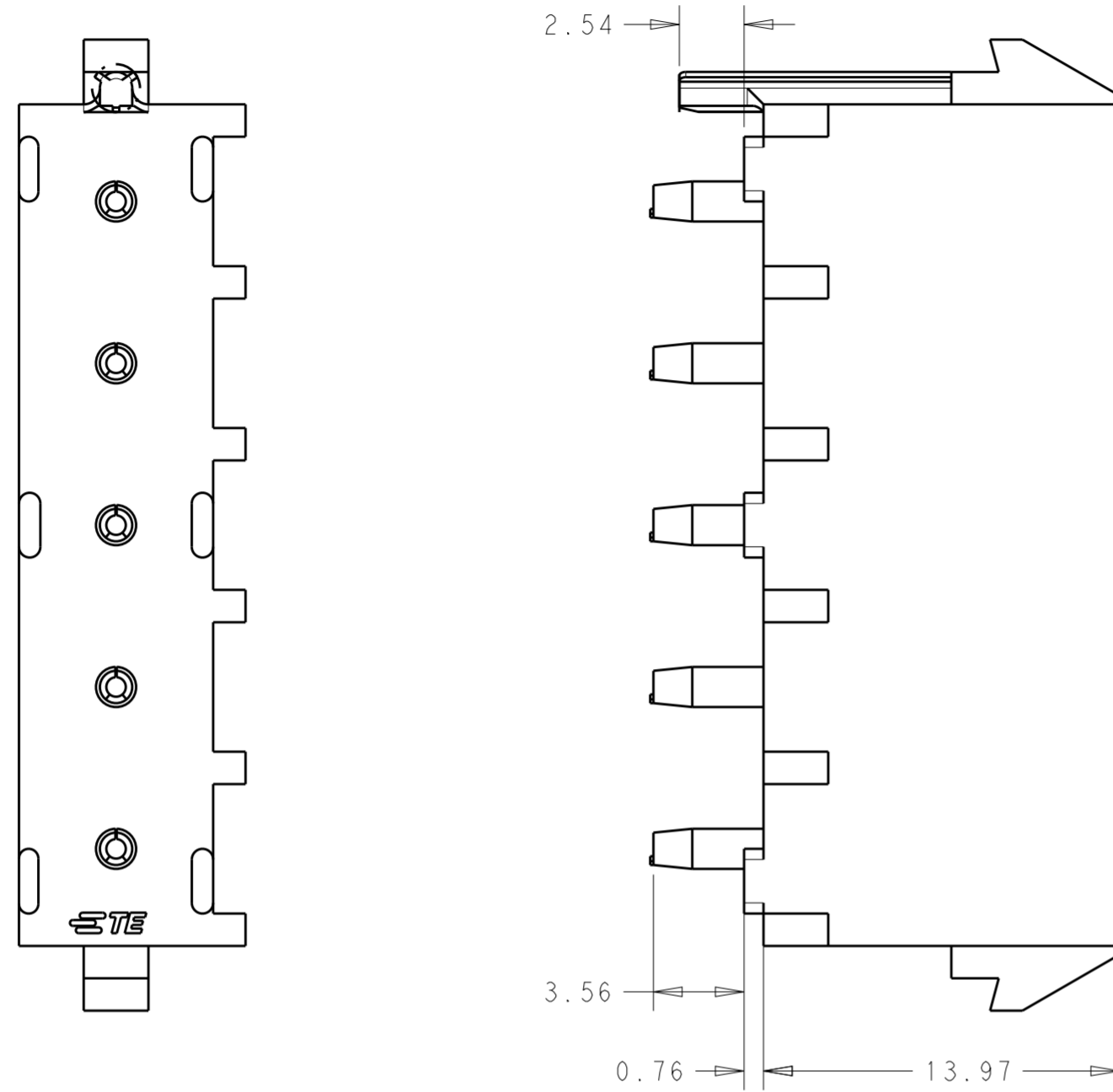
RECOMMENDED MOUNTING HOLE PATTERN  
 FOR 1.57 THICK PC BOARD  
 SCALE 4:1

2213752-3, 1-2213752-3  
 SHOWN

THIS DRAWING IS A CONTROLLED DOCUMENT.		DWN J. SHAFFER 30OCT2015	TE Connectivity															
DIMENSIONS: mm		CHK M. MOSTOLLER 30OCT2015																
TOLERANCES UNLESS OTHERWISE SPECIFIED:		APVD M. MOSTOLLER 30OCT2015	NAME PIN HEADER ASSEMBLY POLARIZED, UMNL, HIGH TEMPERATURE															
<table border="1"> <tr><td>0 PLC</td><td>±</td></tr> <tr><td>1 PLC</td><td>±0.5</td></tr> <tr><td>2 PLC</td><td>±0.13</td></tr> <tr><td>3 PLC</td><td>±</td></tr> <tr><td>4 PLC</td><td>±</td></tr> <tr><td>ANGLES</td><td>±</td></tr> <tr><td>FINISH</td><td>±</td></tr> </table>		0 PLC	±	1 PLC	±0.5	2 PLC	±0.13	3 PLC	±	4 PLC	±	ANGLES	±	FINISH	±	PRODUCT SPEC 108-1053	SIZE A2	
0 PLC	±																	
1 PLC	±0.5																	
2 PLC	±0.13																	
3 PLC	±																	
4 PLC	±																	
ANGLES	±																	
FINISH	±																	
MATERIAL		APPLICATION SPEC 114-133083	CAGE CODE -	DRAWING NO. C-2213752														
		WEIGHT -	RESTRICTED TO -															
		CUSTOMER DRAWING	SCALE 2:1	SHEET 3 OF 5														
			REV A															

THIS DRAWING IS UNPUBLISHED. RELEASED FOR PUBLICATION 20  
 © COPYRIGHT 20 BY - ALL RIGHTS RESERVED.

REVISIONS				
P	LTR	DESCRIPTION	DATE	APVD
		SEE SHEET 1		

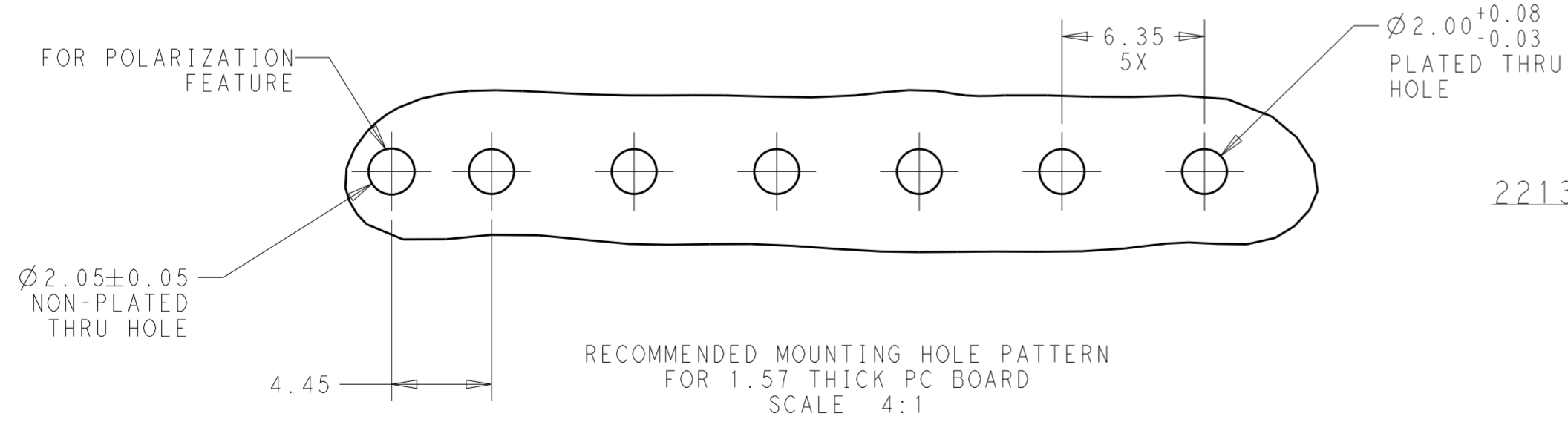
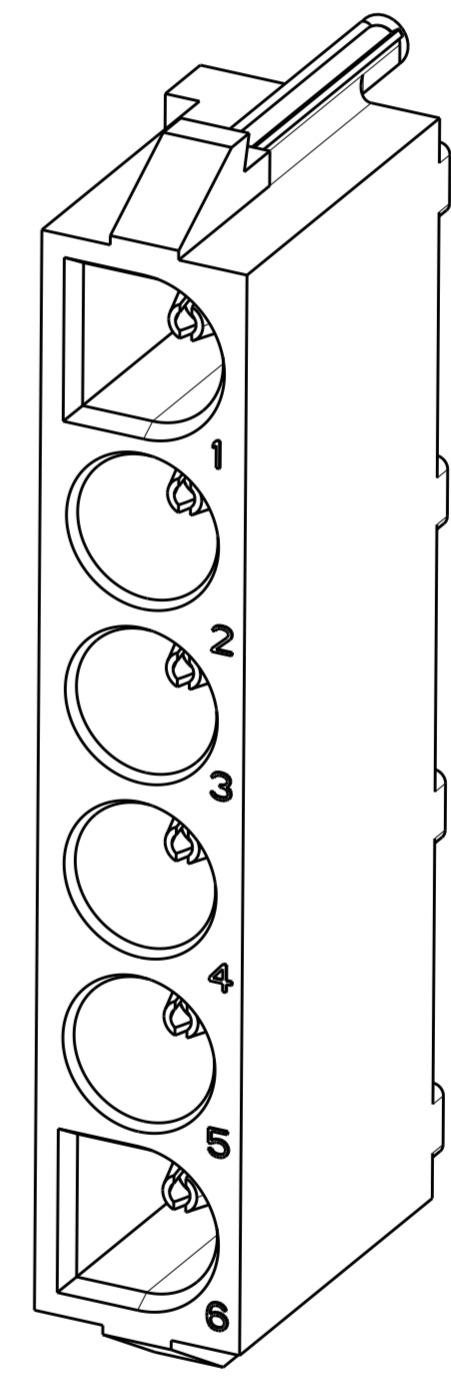
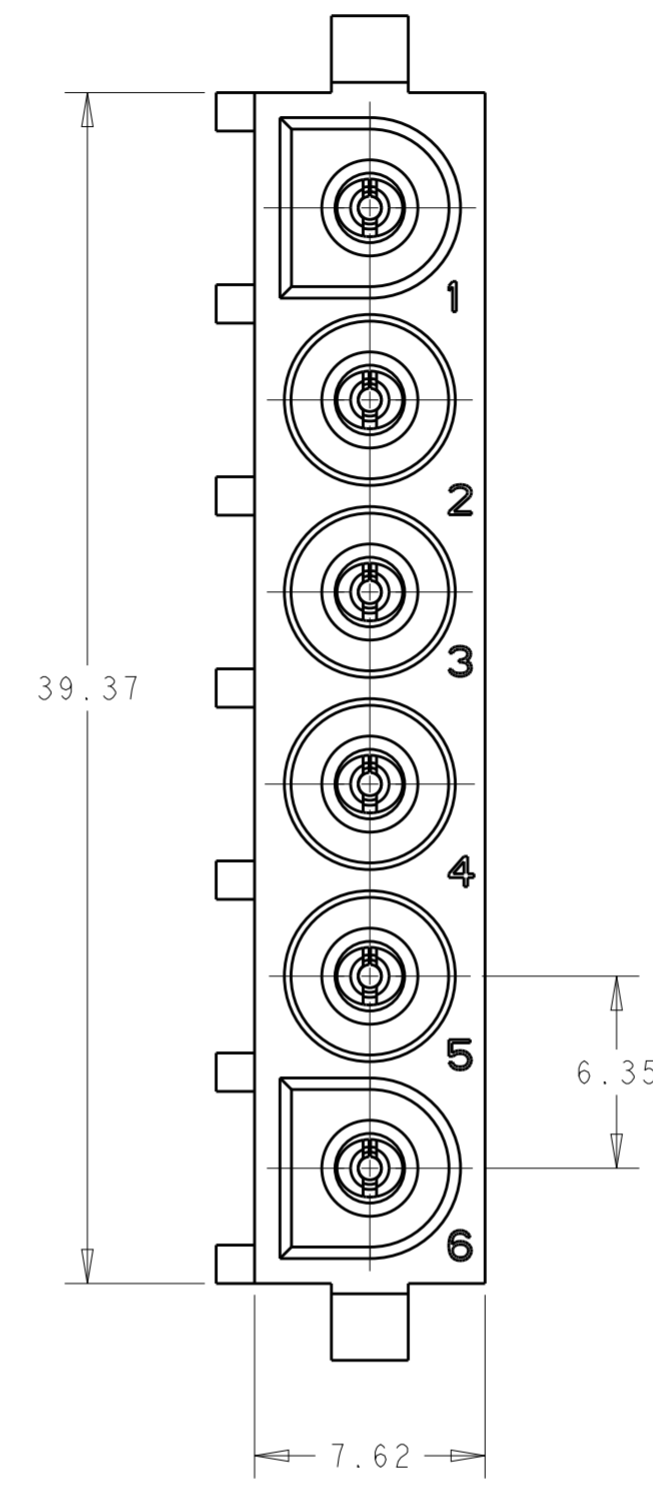
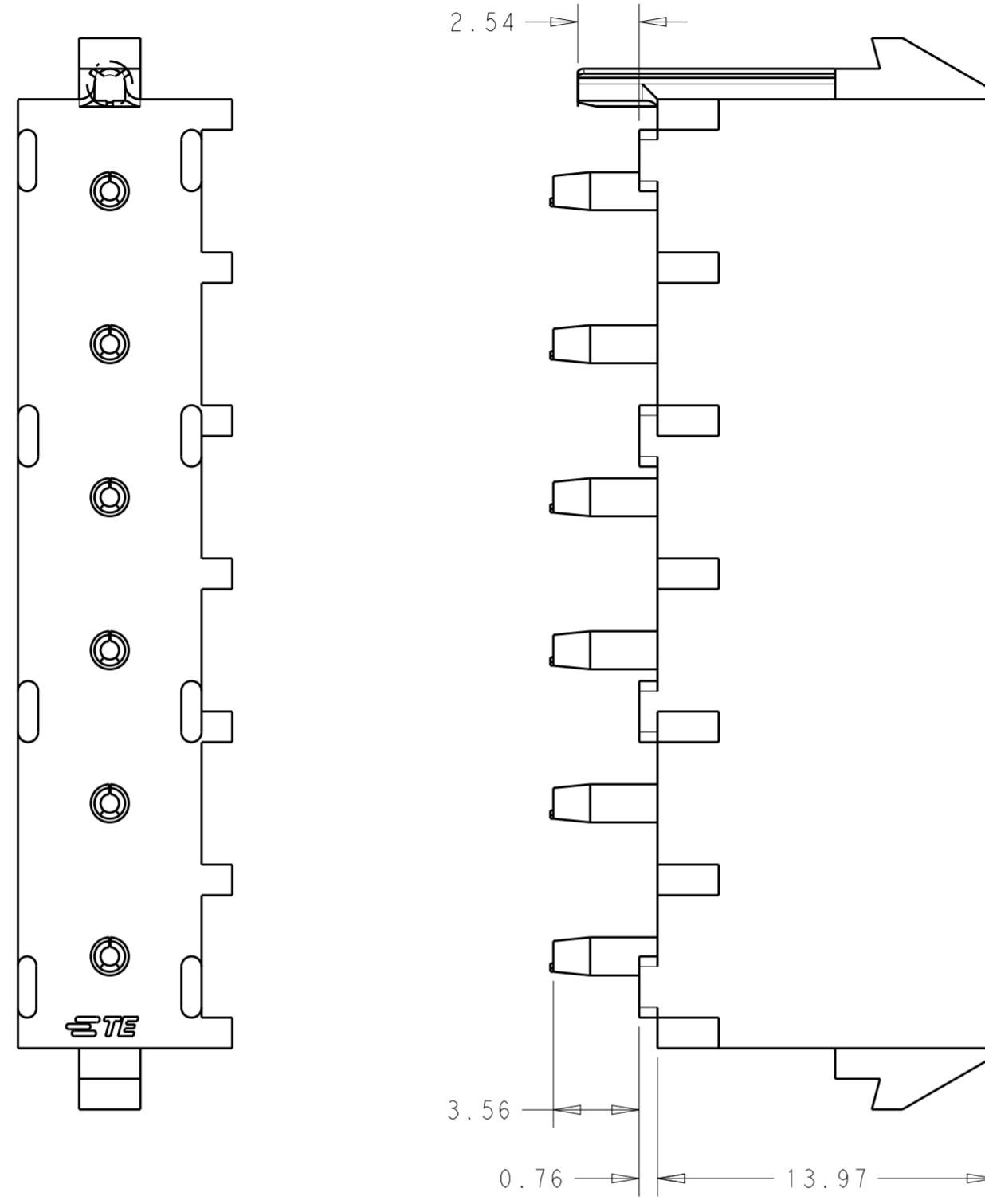


2213752-4, 1-2213752-4  
 SHOWN

THIS DRAWING IS A CONTROLLED DOCUMENT.		DWN J. SHAFFER 30OCT2015	TE Connectivity	
DIMENSIONS: mm		CHK M. MOSTOLLER 30OCT2015		
TOLERANCES UNLESS OTHERWISE SPECIFIED:		APVD M. MOSTOLLER 30OCT2015	NAME PIN HEADER ASSEMBLY POLARIZED, UMNL, HIGH TEMPERATURE	
0 PLC ±	1 PLC ±0.5	PRODUCT SPEC 108-1053	SIZE A2	CAGE CODE -
2 PLC ±0.13	3 PLC ±	APPLICATION SPEC 114-133083	DRAWING NO. C-2213752	RESTRICTED TO -
4 PLC ±	ANGLES ±	WEIGHT -	SCALE 2:1	SHEET 4 OF 5
MATERIAL -	FINISH -	CUSTOMER DRAWING	REV A	

THIS DRAWING IS UNPUBLISHED. RELEASED FOR PUBLICATION 20  
 © COPYRIGHT 20 BY - ALL RIGHTS RESERVED.

REVISIONS				
P	LTR	DESCRIPTION	DATE	APVD
		SEE SHEET 1		



2213752-5, 1-2213752-5  
 SHOWN

THIS DRAWING IS A CONTROLLED DOCUMENT.		DWN J. SHAFFER 30OCT2015	TE Connectivity	
DIMENSIONS: mm		CHK M. MOSTOLLER 30OCT2015		
TOLERANCES UNLESS OTHERWISE SPECIFIED:		APVD M. MOSTOLLER 30OCT2015	NAME PIN HEADER ASSEMBLY POLARIZED, UMNL, HIGH TEMPERATURE	
0 PLC ± 1 PLC ±0.5 2 PLC ±0.13 3 PLC ± 4 PLC ± ANGLES ± FINISH ±		PRODUCT SPEC 108-1053	SIZE A2	
MATERIAL		APPLICATION SPEC 114-133083	CAGE CODE -	DRAWING NO. G-2213752
		WEIGHT -	RESTRICTED TO -	
		CUSTOMER DRAWING	SCALE 2:1	SHEET 5 OF 5
			REV A	