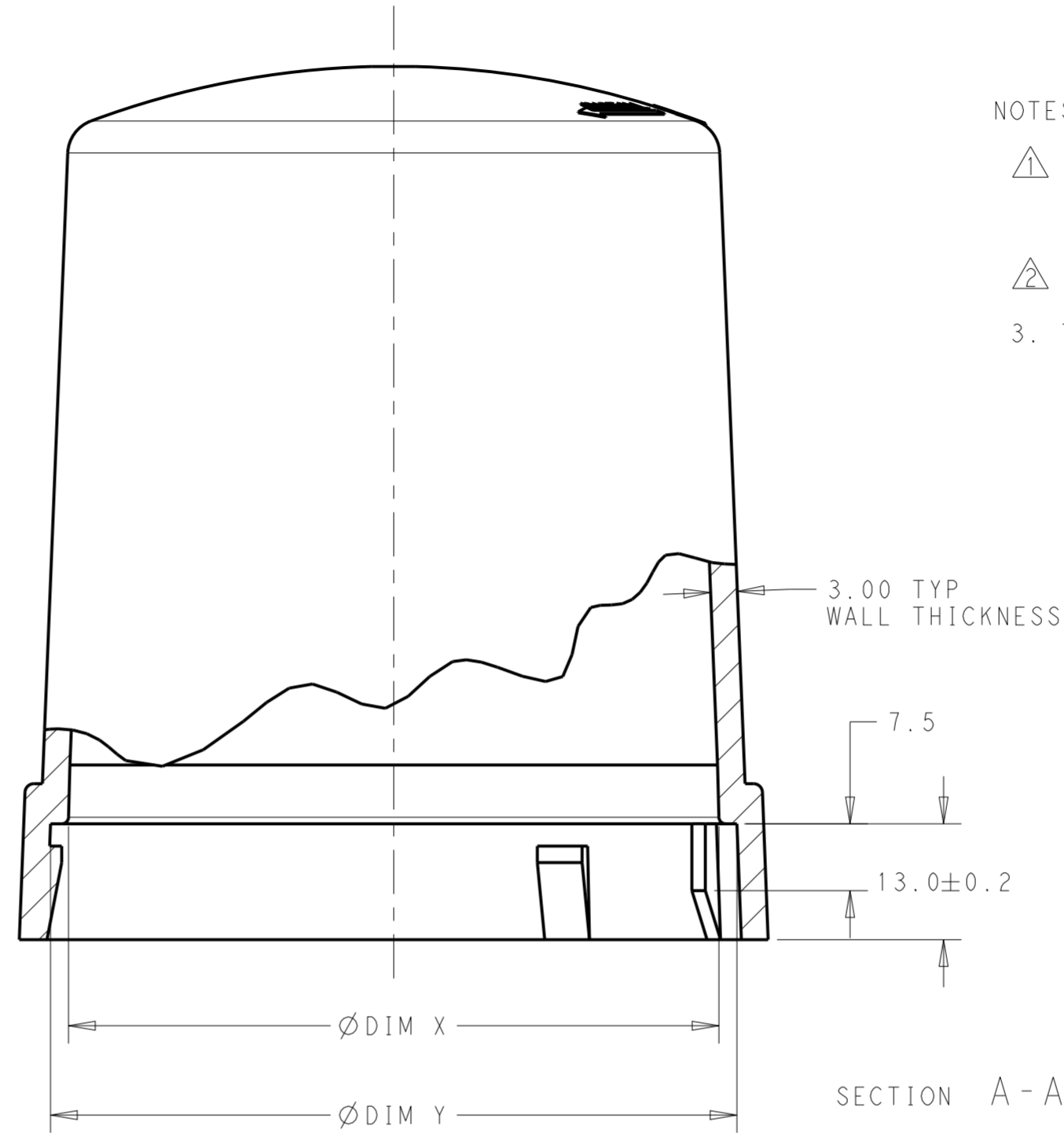
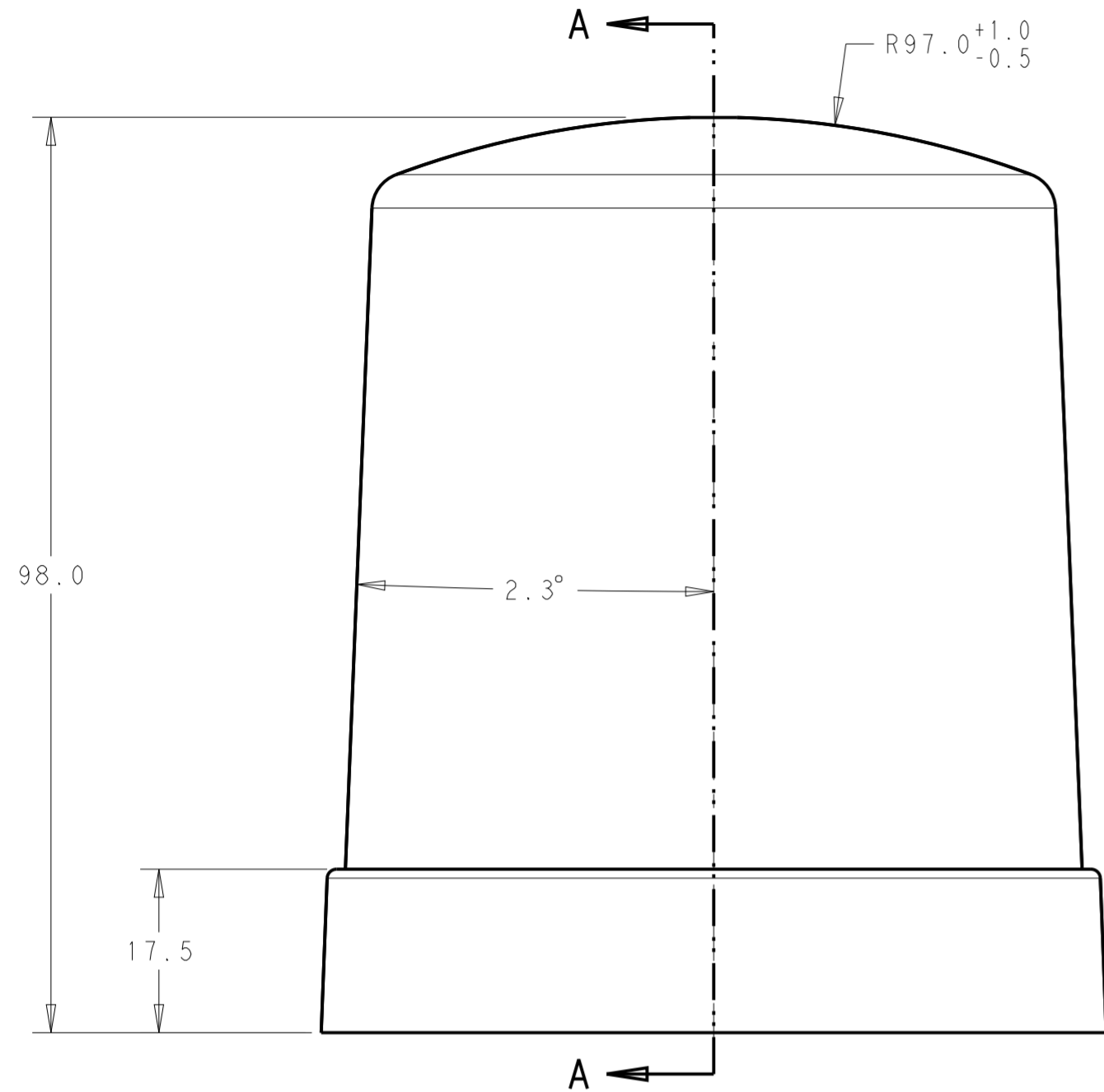


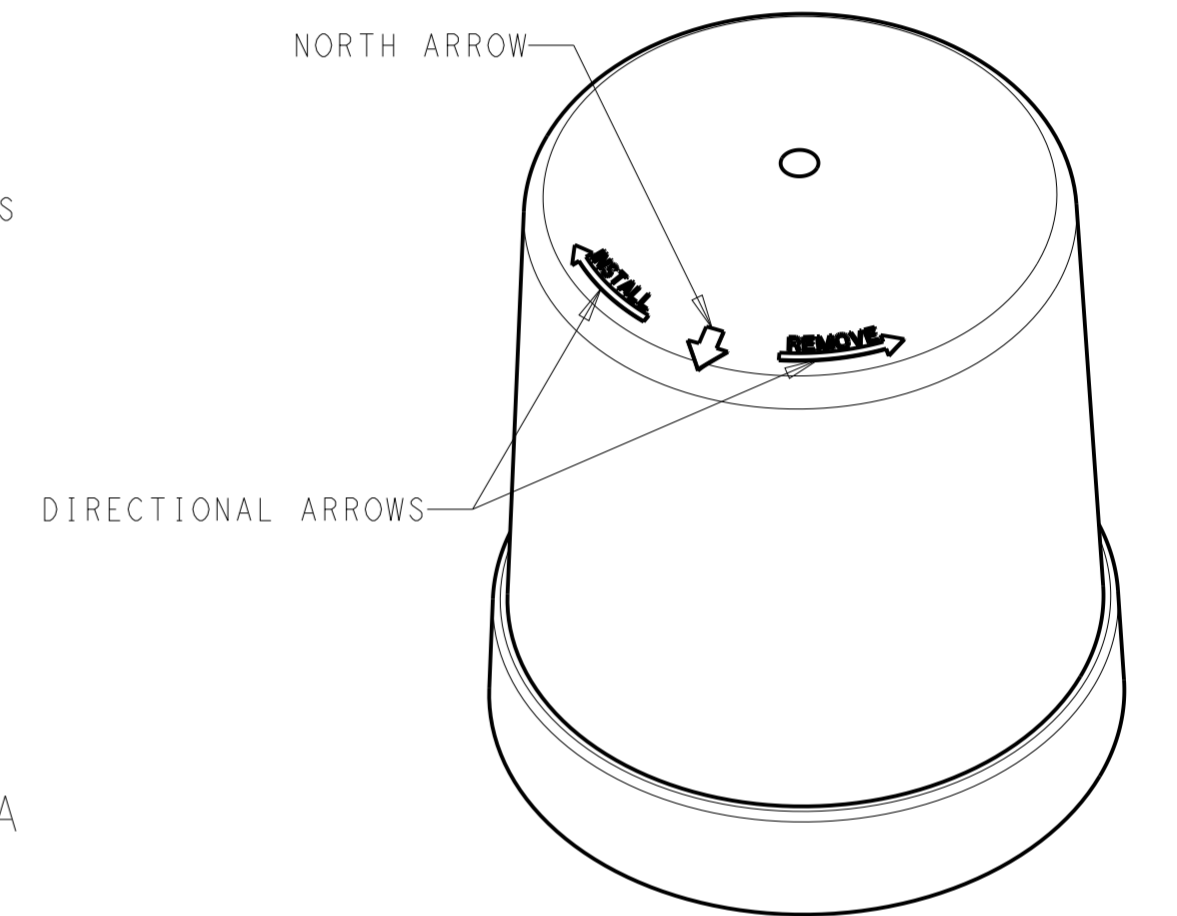
THIS DRAWING IS UNPUBLISHED. RELEASED FOR PUBLICATION 20
 © COPYRIGHT 20 BY - ALL RIGHTS RESERVED.

REVISIONS				
P	LTR	DESCRIPTION	DATE	APVD
B3		REVISED PER ECR-21-004548	18APR2021	MM JL

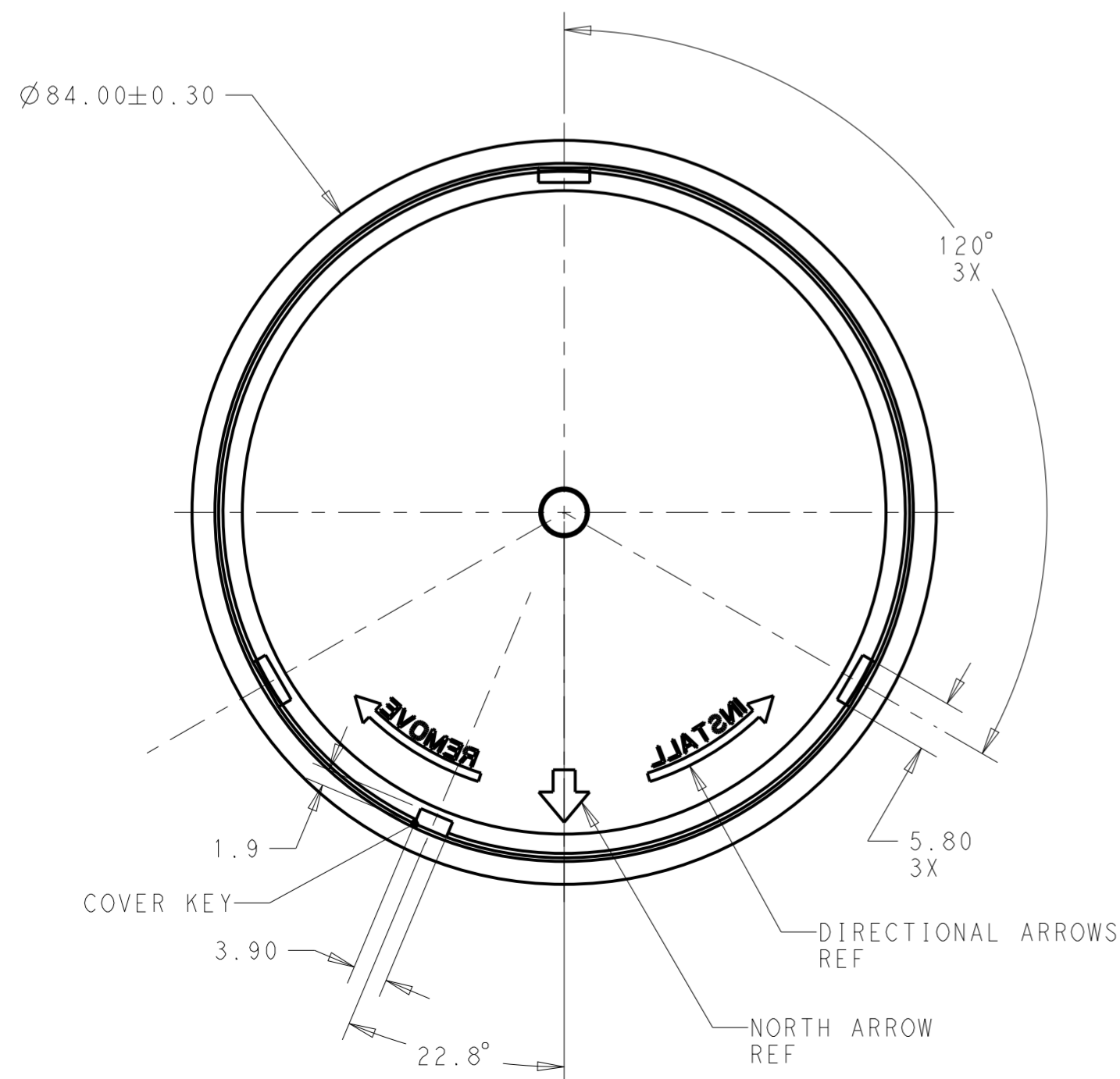
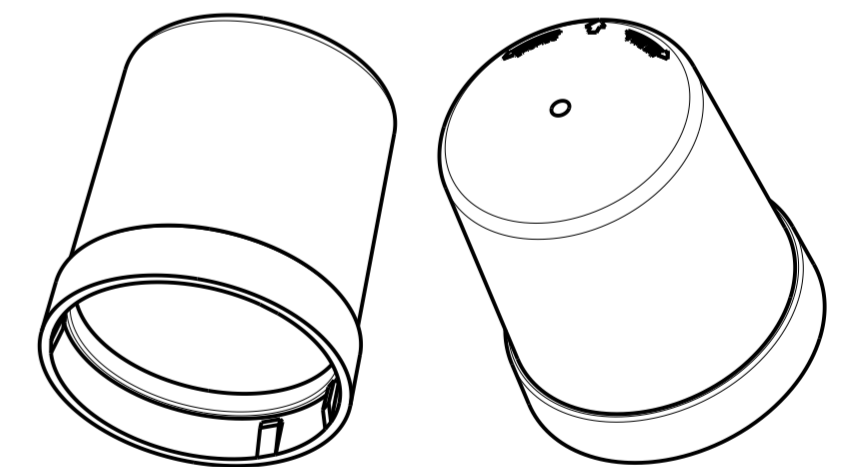


NOTES:

- 1 MATERIALS:
HOUSING: POLYCARBONATE, UV 5VA RATED
COLOR: SEE TABLE
- 2 MATING BASE TE P/N: 2213730-X
- 3. THIS PRODUCT HAS NOT COMPLETED VALIDATION TESTING.



SCALE 1:1



APPROX LIGHT TRANSMISSION	COLOR	DIM Y	DIM X	PART NO.
0%	OPAQUE GRAY RAL7038 REF	Ø 77.0	Ø 73.0	2-2213748-1
78%	TRANSPARENT CLEAR	Ø 77.0	Ø 73.0	1-2213748-1
26%	TRANSLUCENT GRAY	Ø 77.0	Ø 73.0	2213748-2
24%	TRANSPARENT SMOKE	Ø 77.0	Ø 73.0	2213748-1

THIS DRAWING IS A CONTROLLED DOCUMENT.		DWN C. DAILY 30OCT2015	TE Connectivity	
		CHK E. HOWARD 30OCT2015		
DIMENSIONS: mm 		TOLERANCES UNLESS OTHERWISE SPECIFIED: 0 PLC ± 1 PLC ±0.2 2 PLC ±0.13 3 PLC ± 4 PLC ± ANGLES ±3° FINISH		NAME COVER, LIGHT CONTROLLER
MATERIAL		PRODUCT SPEC 108-32125	SIZE A2	RESTRICTED TO
		APPLICATION SPEC 114-32159	CAGE CODE	DRAWING NO G-2213748
		WEIGHT	SCALE 3:2	SHEET 1 OF 1
		CUSTOMER DRAWING	REV B3	