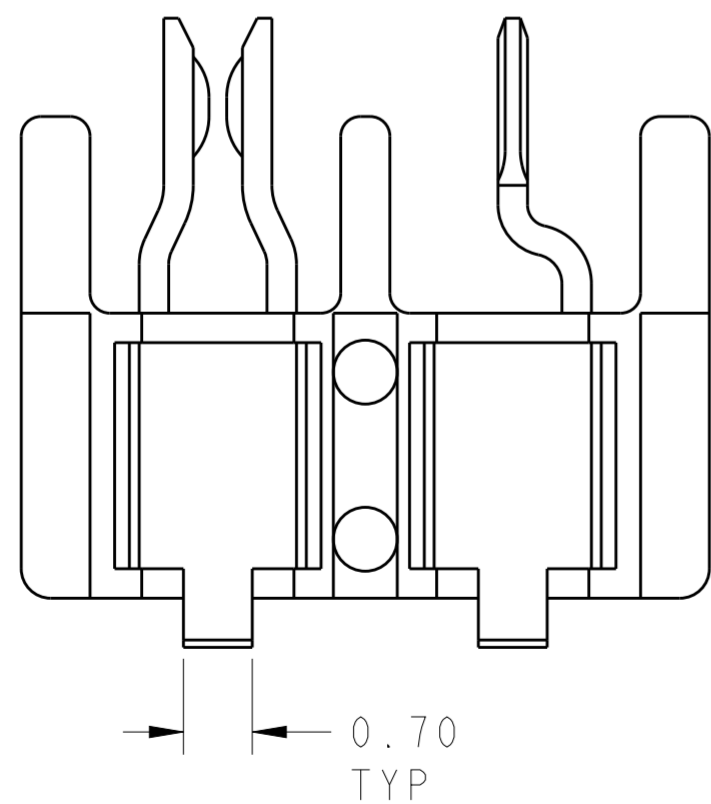
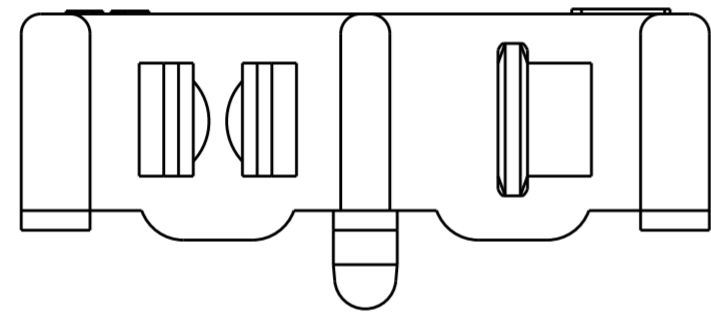
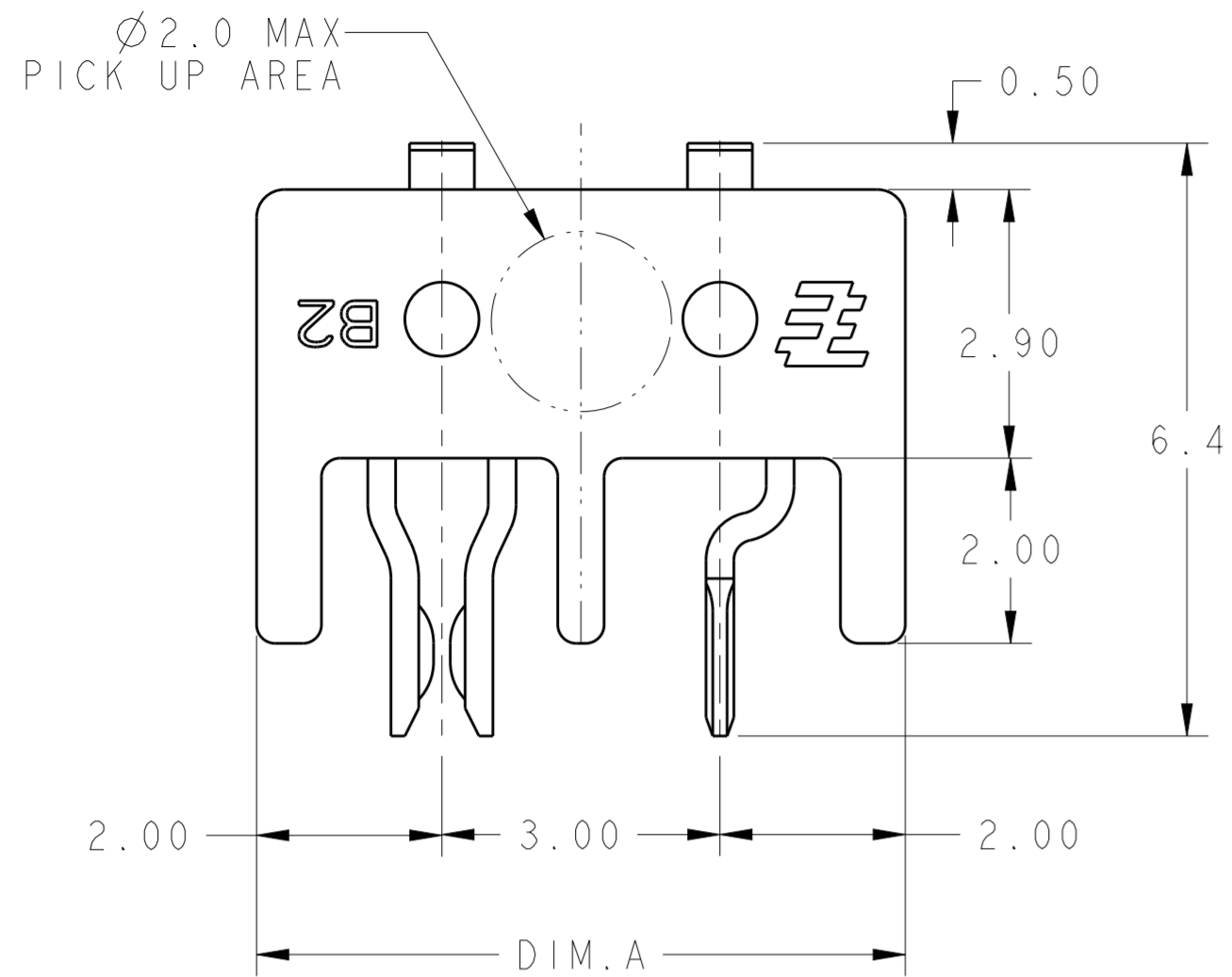
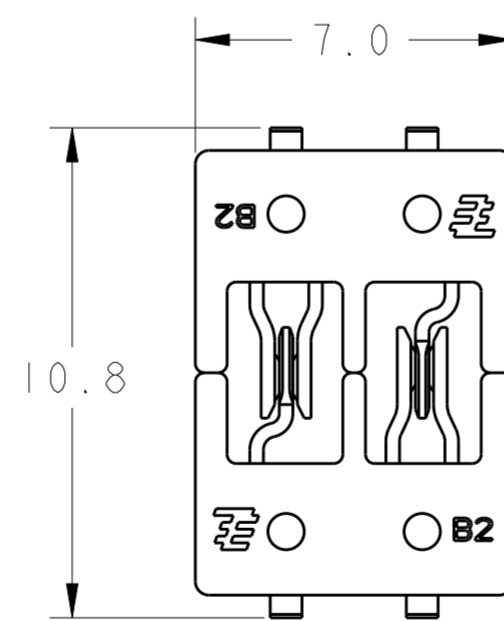
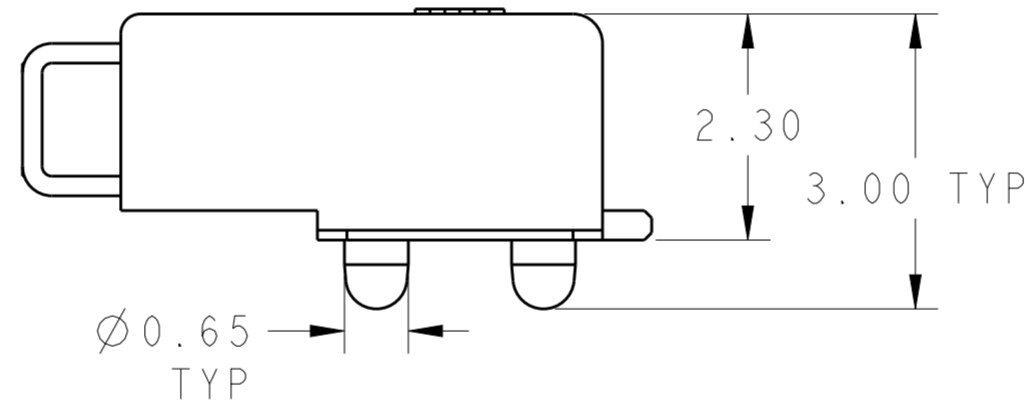
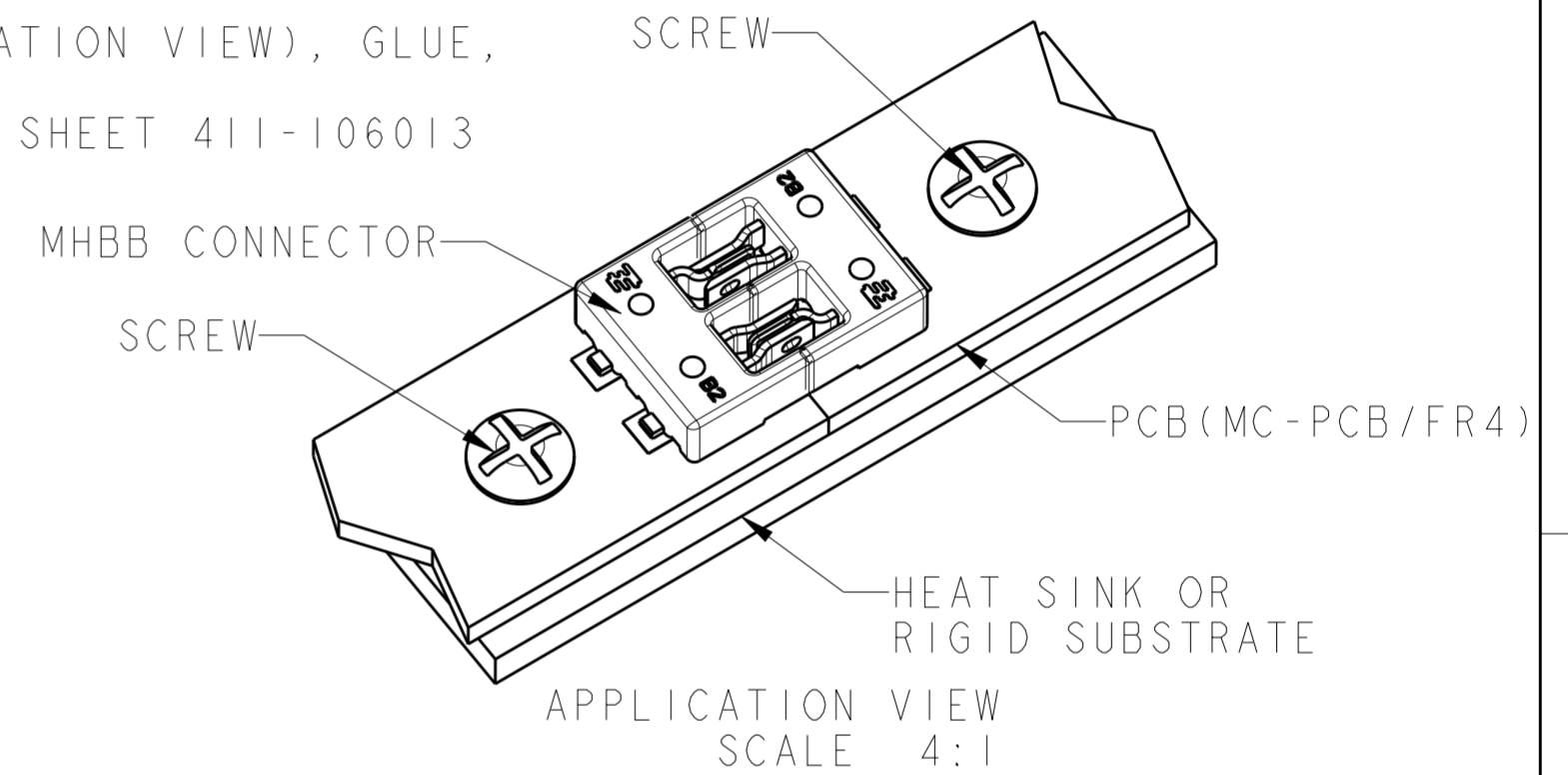
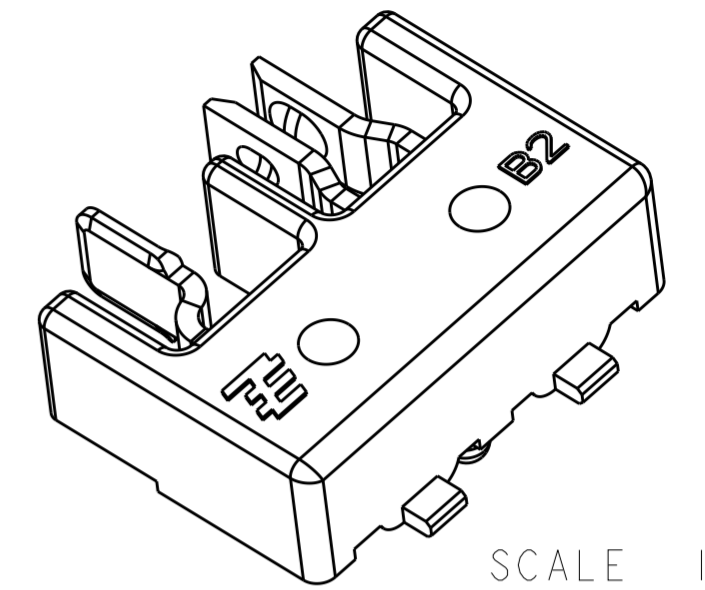


REVISIONS					
P	LTR	DESCRIPTION	DATE	DWN	APVD
1		NEW DRAWING	26DEC2014	RS	DD
2		MOLD PART UPDATED	21MAY2015	RS	DD
A		REVISED PER ECR-17-001357	31JAN2017	RK	PO
AI		REVISED PER ECR-20-009443	09JUL2020	SB	DD

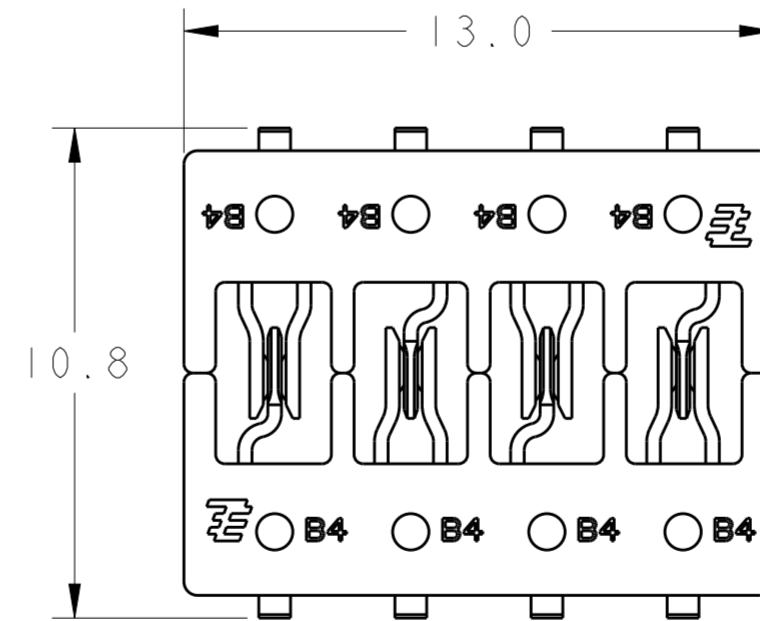


NOTES:

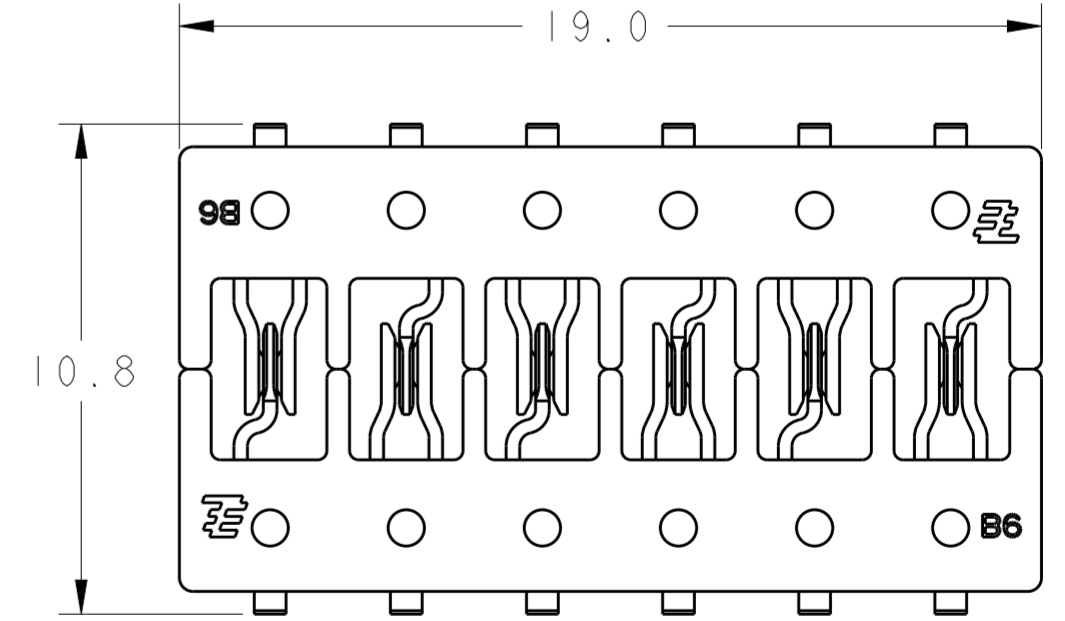
1. PACKAGED IN TAPE AND REEL PER IEA-481 SPECIFICATIONS.
2. MATERIAL AND FINISH:  
 -HOUSING: THERMAL PLASTIC  
 -PIN CONTACT: BRASS  
 -SOCKET CONTACT: COPPER ALLOY  
 -FINISH: TIN OVER NICKEL.
3. SUITABLE FOR SMT PROCESS.
4. TO ENSURE THE FUNCTION OF THE MINIATURE HERMAPHRODITIC B-B CONNECTORS, THE PCB WITH MINIATURE HERMAPHRODITIC B-B CONNECTORS SHOULD BE FIXED ON THE HEAT SINK OR SOME OTHER RIGID SUBSTRATE. CUSTOMER CAN USE SCREW (SHOW AS APPLICATION VIEW), GLUE, OR SOME OTHER METHOD TO FIX THE PCBs. FOR DETAIL PLEASE REFER TO INSTRUCTION SHEET 411-106013



2213610-1 (2 MATING PARTS)  
SCALE 6:1



2213610-2 (2 MATING PARTS)  
SCALE 6:1

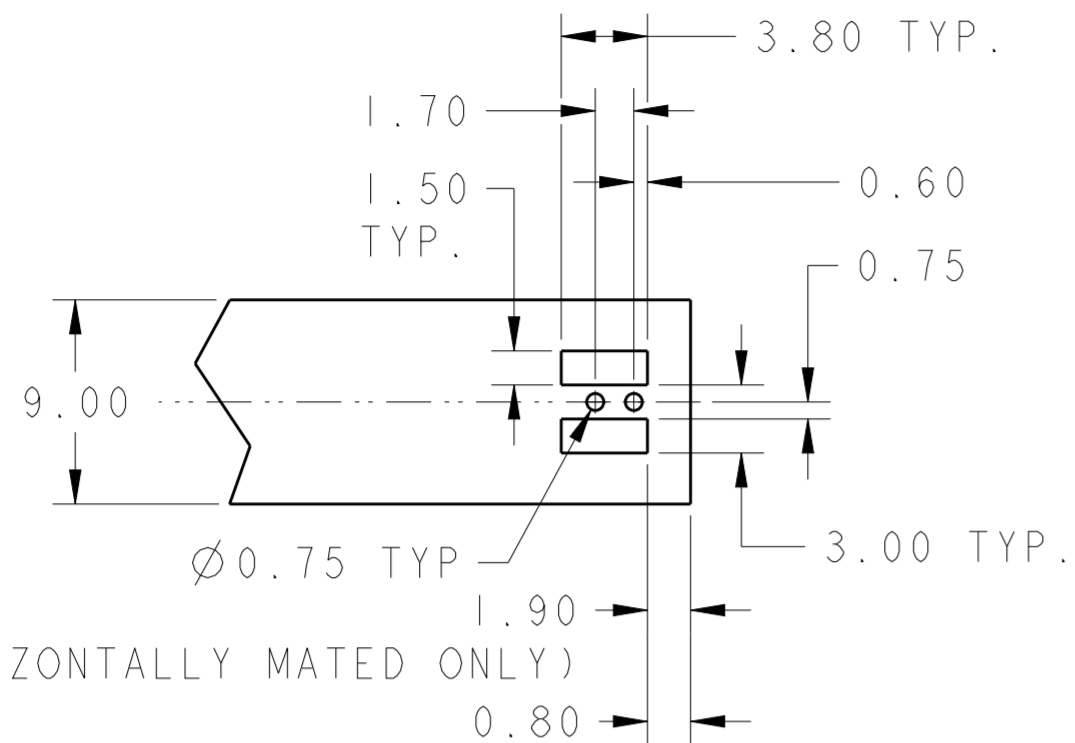


2213610-3 (2 MATING PARTS)  
SCALE 6:1

NATURAL	6P	19.0	2213610-3
NATURAL	4P	13.0	2213610-2
NATURAL	2P	7.0	2213610-1
COLOR	POSITION	DIM A	PART NO

DIMENSIONS:		TOLERANCES UNLESS OTHERWISE SPECIFIED:		DWN		CHK		APVD		NAME	
mm		0 PLC	±	RAVI.S	26DEC2014	TE Connectivity		MINIATURE HERMAPHRODITIC BOARD TO BOARD CONNECTOR			
		1 PLC	±0.5	DONALD DECKER	26DEC2014	108-106050		-			
		2 PLC	±0.13	DONALD DECKER	26DEC2014	114-106050		-			
		3 PLC	±0.013			114-106050		-			
		4 PLC	±0.0001			-		-			
		ANGLES	±			-		-			
		FINISH	-			-		-			
MATERIAL				CUSTOMER DRAWING		SCALE 13:1		SHEET 1 OF 2		REV A1	

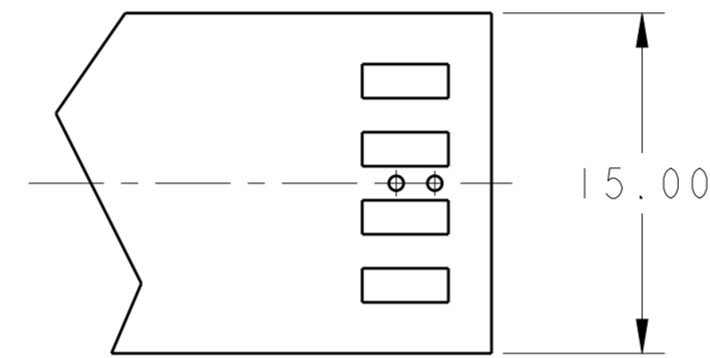
P	LTR	DESCRIPTION	DATE	DWN	APVD
-		SEE SHEET 1	-	-	-



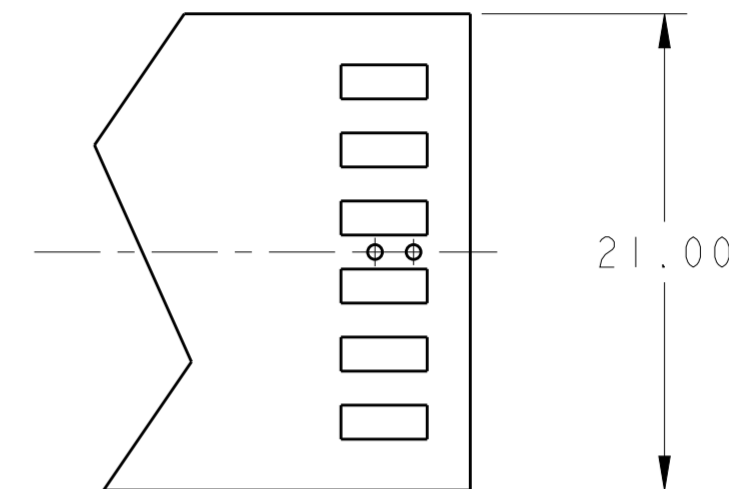
(TYPE 1: HORIZONTALLY MATED ONLY)

(TYPE 2: CAN BE BOTH VERTICALLY AND HORIZONTALLY MATED)

RECOMMENDED PCB LAYOUT FOR 2213610-1 (±0.10mm)  
SCALE 3:1

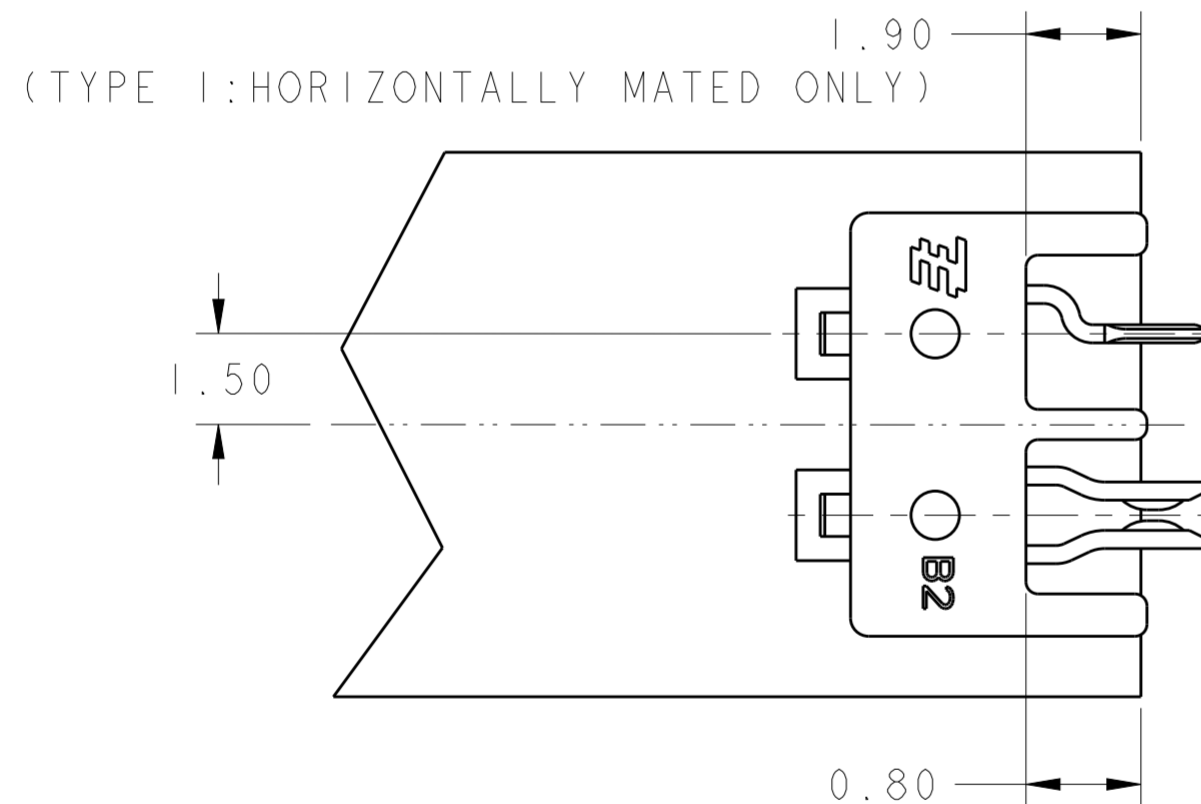


RECOMMENDED PCB LAYOUT FOR 2213610-2 (±0.10mm)  
SCALE 3:1



RECOMMENDED PCB LAYOUT FOR 2213610-3 (±0.10mm)  
SCALE 3:1

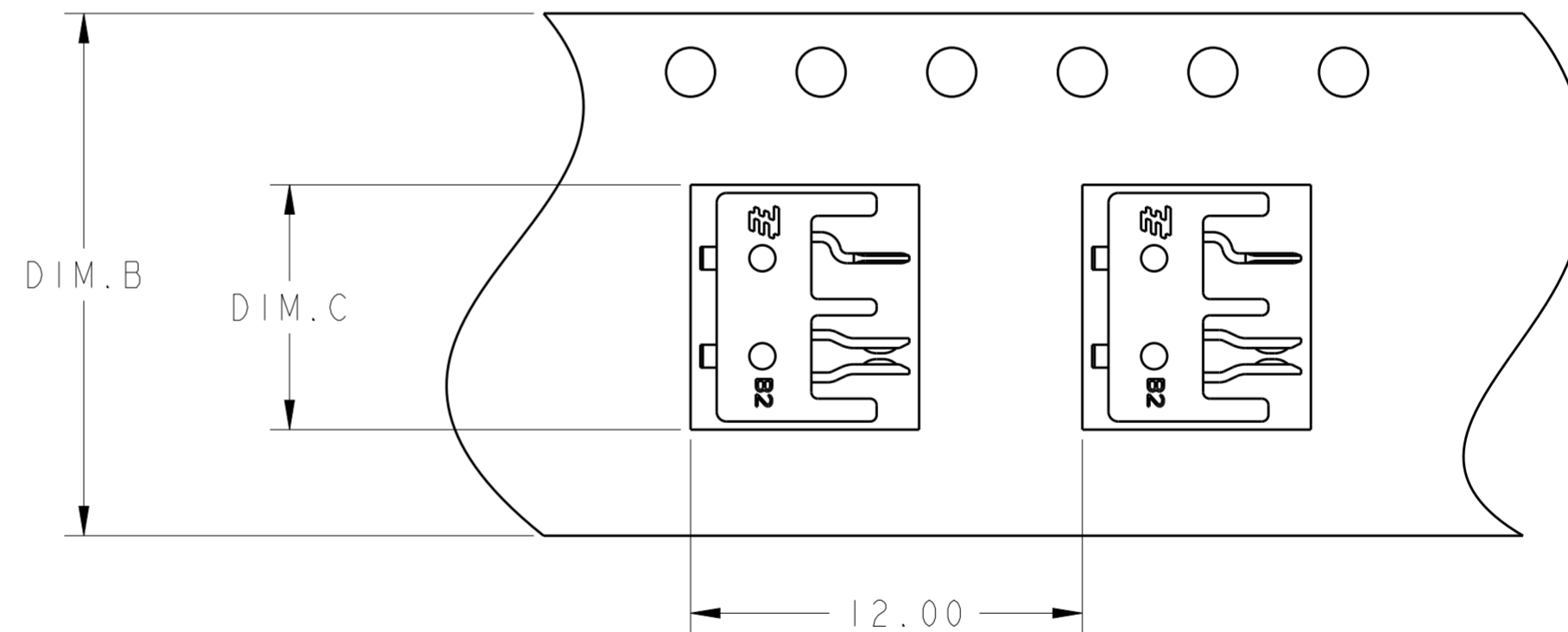
ALL FEATURES AND DIMENSIONS OF PCB LAYOUT FOR 2213610-2, 2213610-3 ARE THE SAME AS PCB LAYOUT FOR 2213610-1 EXCEPT AS SHOWN



(TYPE 1: HORIZONTALLY MATED ONLY)

(TYPE 2: CAN BE BOTH VERTICALLY AND HORIZONTALLY MATED)

SOLDERING LAYOUT (±0.10mm)  
SCALE 8:1



TO BE PACKAGED AS SHOWN (±0.10mm)  
SCALE 5:1

6P	19.30	32.00	2213610-3
4P	13.30	24.00	2213610-2
2P	7.30	16.00	2213610-1
POSITION	DIM.C	DIM.B	FOR P/N

THIS DRAWING IS A CONTROLLED DOCUMENT.		DWN RAVI.S 26DEC2014	TE Connectivity	
DIMENSIONS: mm		CHK DONALD DECKER 26DEC2014		
TOLERANCES UNLESS OTHERWISE SPECIFIED:		APVD DONALD DECKER 26DEC2014	NAME MINIATURE HERMAPHRODITIC BOARD TO BOARD CONNECTOR	
0 PLC ± 1 PLC ±0.5 2 PLC ±0.13 3 PLC ±0.013 4 PLC ±0.0001 ANGLES ± FINISH -		PRODUCT SPEC 108-106050	RESTRICTED TO	
MATERIAL		APPLICATION SPEC 114-106050	SIZE A200779	CAGE CODE C-2213610
		WEIGHT	DRAWING NO SCALE 13:1	
		CUSTOMER DRAWING	SHEET 2 OF 2 REV A1	