

THIS DRAWING IS UNPUBLISHED.

RELEASED FOR PUBLICATION

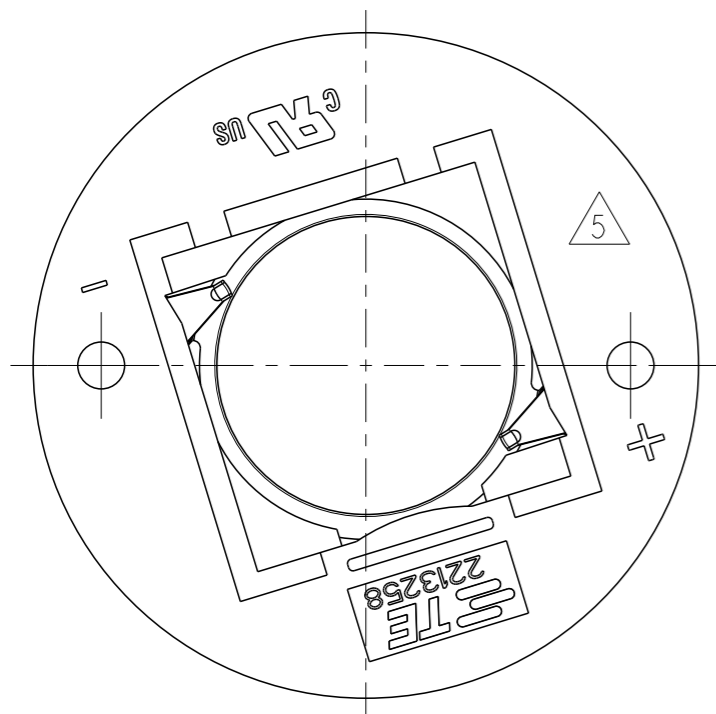
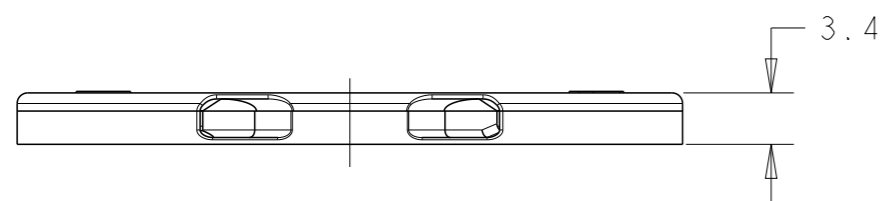
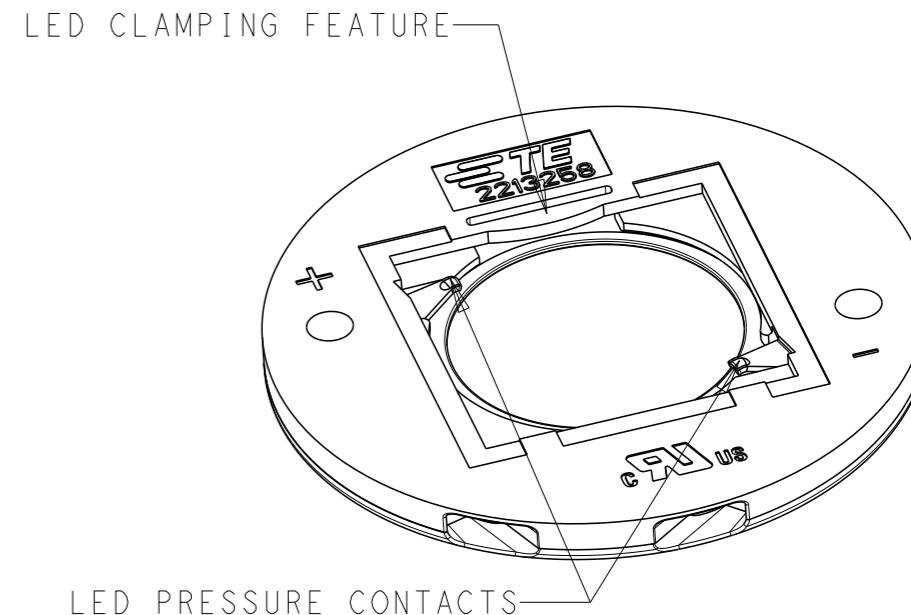
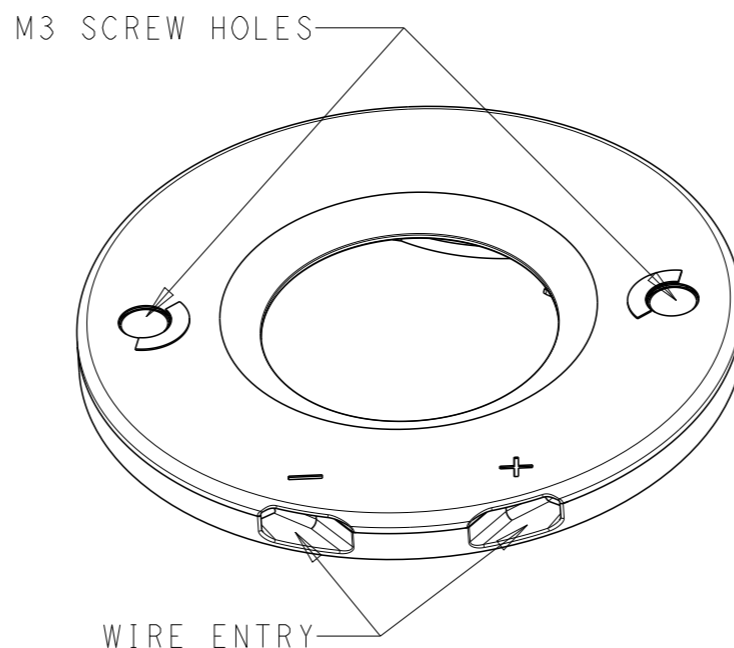
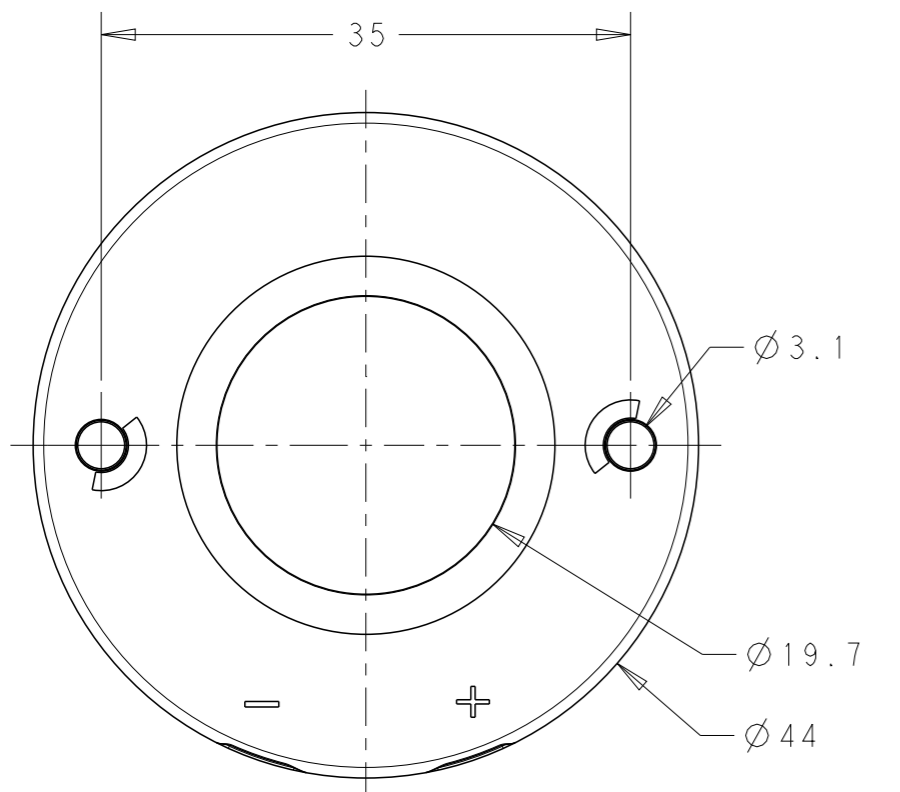
20

© COPYRIGHT 20 BY -

ALL RIGHTS RESERVED.

REVISIONS

P	LTR	DESCRIPTION	DATE	DWN	APVD
A2		ECR-16-005694	19APR2016	KR	MvE
B		ADDED RELEASED LED	06FEB2017	KR	MvE
C		REVISED PER ECR-17-005513	13APR2017	SK	MvE
C1		REVISED PER ECR-19-017764	21NOV2019	SB	DD



NOTES.

- MATERIALS:  
HOUSING: GLASS FILLED PBT, HALOGEN FREE FLAME RETARDANT,  
COLOR: NATURAL/WHITE  
CONTACTS: SILVER PLATED COPPER ALLOY
- FOR SOLID AND STANDARD WIRE AWG 22-18
- COMPLIES WITH DIRECTIVE 2002/95/EC (ROHS)
- M3 SCREW TO BE USED FOR MOUNTING
- DATE CODE YY-WW-D ANY WHERE EXCEPT OVER LOGO OR +/- SIGN.
- FOR COB-TO-HOLDER CROSS REFERENCE, REFER TO APPLICATION SPECIFICATION 114-32208

2213258-1 AS SHOWN

Z50 LED HOLDER LOW PROFILE

PART NO	DESCRIPTION
2213258-2	Z50 LED HOLDER STANDARD PROFILE 2121
2213258-1	Z50 LED HOLDER LOW PROFILE 2121

THIS DRAWING IS A CONTROLLED DOCUMENT.

DIMENSIONS:	TOLERANCES UNLESS OTHERWISE SPECIFIED:
mm	
	0 PLC ±-
	1 PLC ±-
	2 PLC ±-
	3 PLC ±-
	4 PLC ±-
	ANGLES ±-
MATERIAL	FINISH
-	-
-	-

DWN	M.V.ESSEN	07AUG2013
CHK	M.V.ESSEN	07AUG2013
APVD	O.IFIJNSE	07AUG2013
PRODUCT SPEC	108-133008	
APPLICATION SPEC	114-32048	
WEIGHT	-	
CUSTOMER DRAWING		

TE Connectivity			
NAME LUMAWISE Z50 LED HOLDER ASSY 2121			
SIZE	CAGE CODE	DRAWING NO	RESTRICTED TO
A3	00779	C-2213258	-
SCALE		SHEET	REV
2:1		1 OF 3	C1

THIS DRAWING IS UNPUBLISHED.

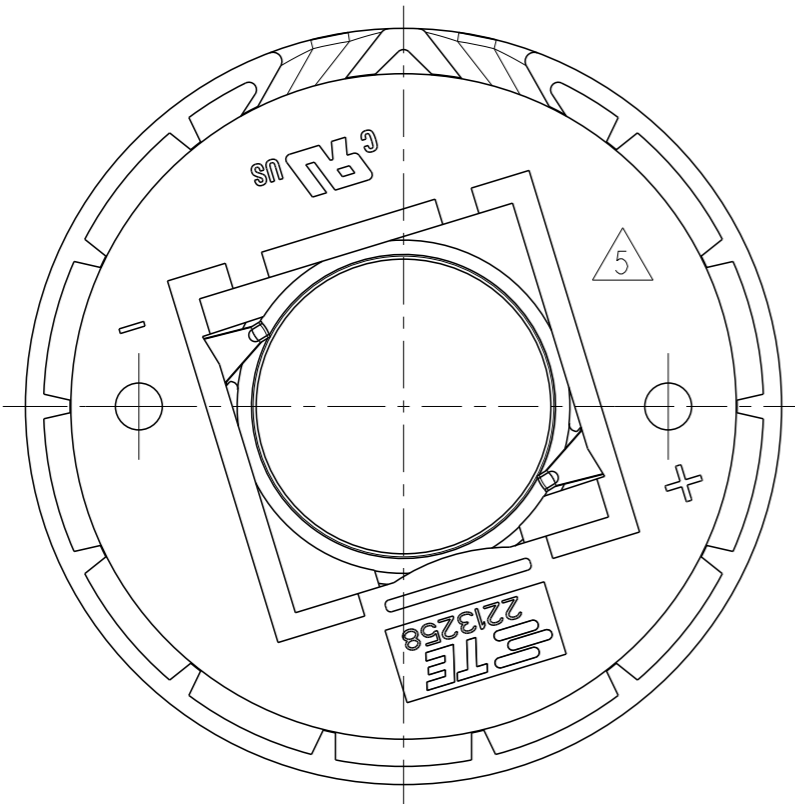
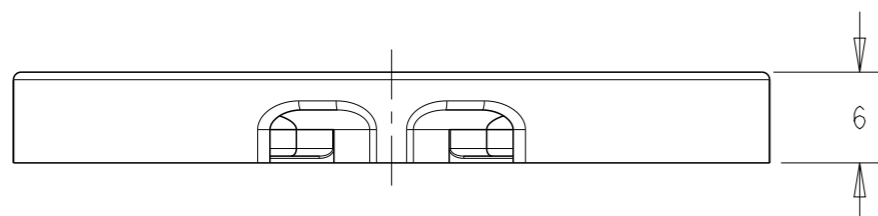
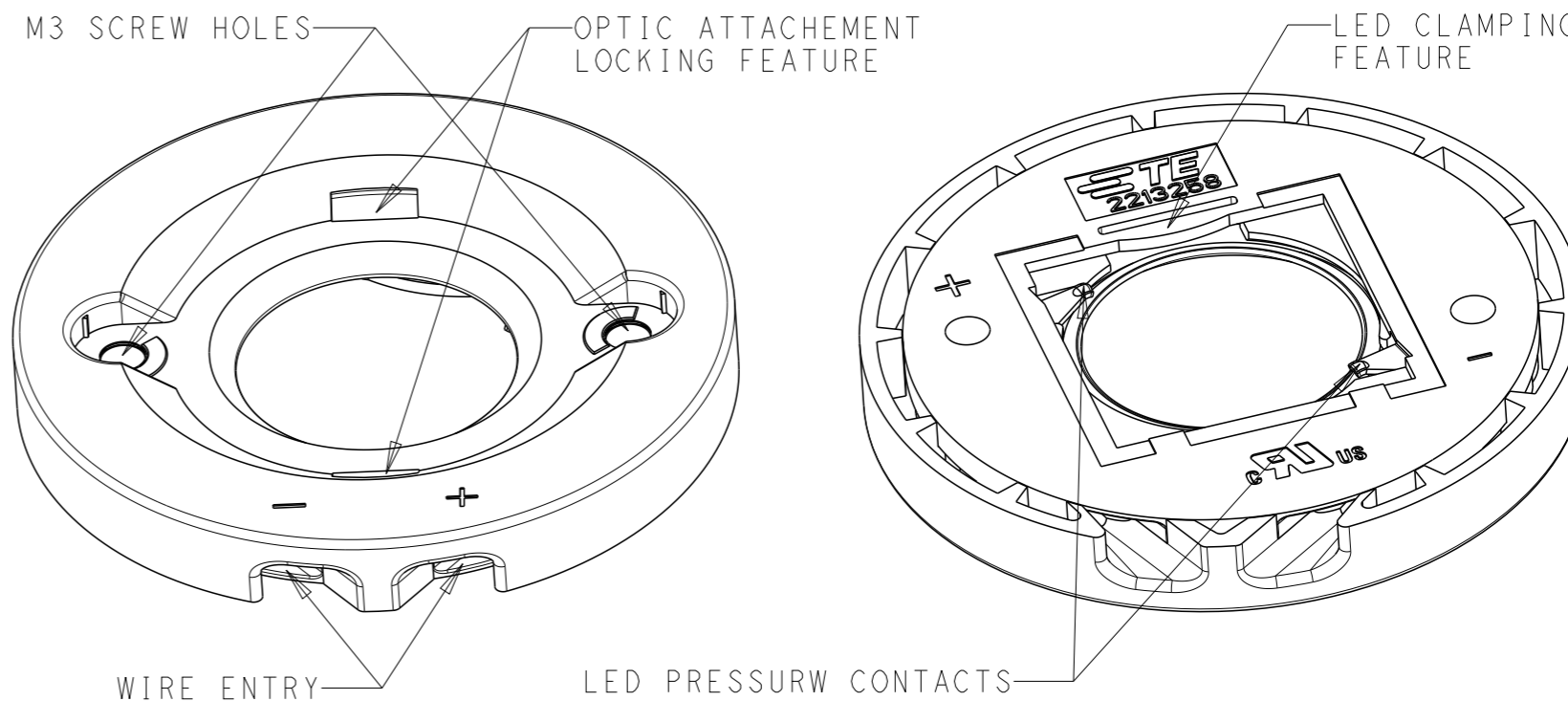
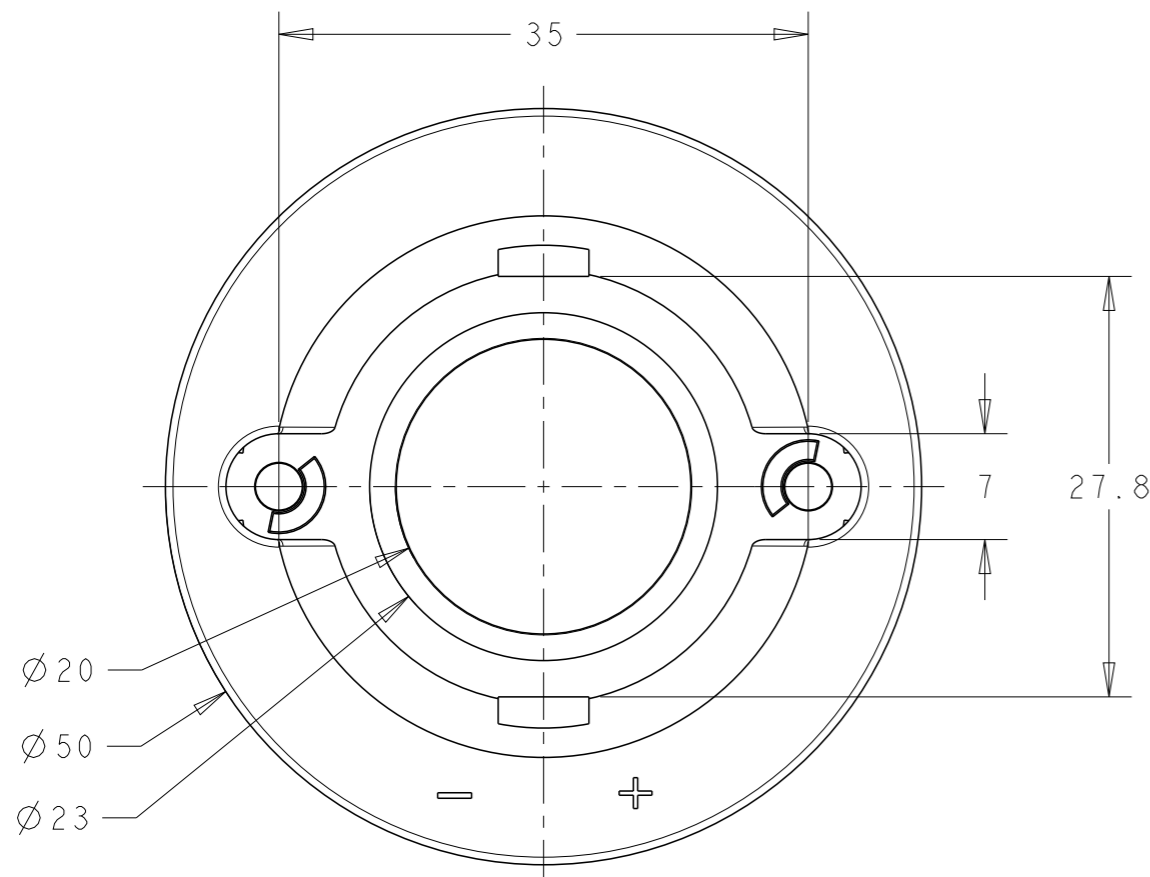
RELEASED FOR PUBLICATION

20

© COPYRIGHT 20 BY - ALL RIGHTS RESERVED.


REVISIONS

P	LTR	DESCRIPTION	DATE	DWN	APVD
-	-	SEE SHEET 1	-	-	-



2213258-2 AS SHOWN

Z50 LED HOLDER STANDARD PROFILE

THIS DRAWING IS A CONTROLLED DOCUMENT.		DWN M.V.ESSSEN 07AUG2013	 TE Connectivity NAME LUMAWISE Z50 LED HOLDER ASSY 2121					
DIMENSIONS: mm		CHK M.V.ESSSEN 07AUG2013				PRODUCT SPEC 108-133008	SIZE A3	CAGE CODE 00779
TOLERANCES UNLESS OTHERWISE SPECIFIED:		APVD O.IEIJNSE 07AUG2013				APPLICATION SPEC 114-32048	DRAWING NO C-2213258	RESTRICTED TO -
0 PLC ±- 1 PLC ±- 2 PLC ±- 3 PLC ±- 4 PLC ±- ANGLES ±-		MATERIAL -				WEIGHT -	SCALE 2:1	SHEET 2 OF 3
MATERIAL -		FINISH -	CUSTOMER DRAWING	REV C1				

THIS DRAWING IS UNPUBLISHED.

RELEASED FOR PUBLICATION

20

© COPYRIGHT 20 BY -

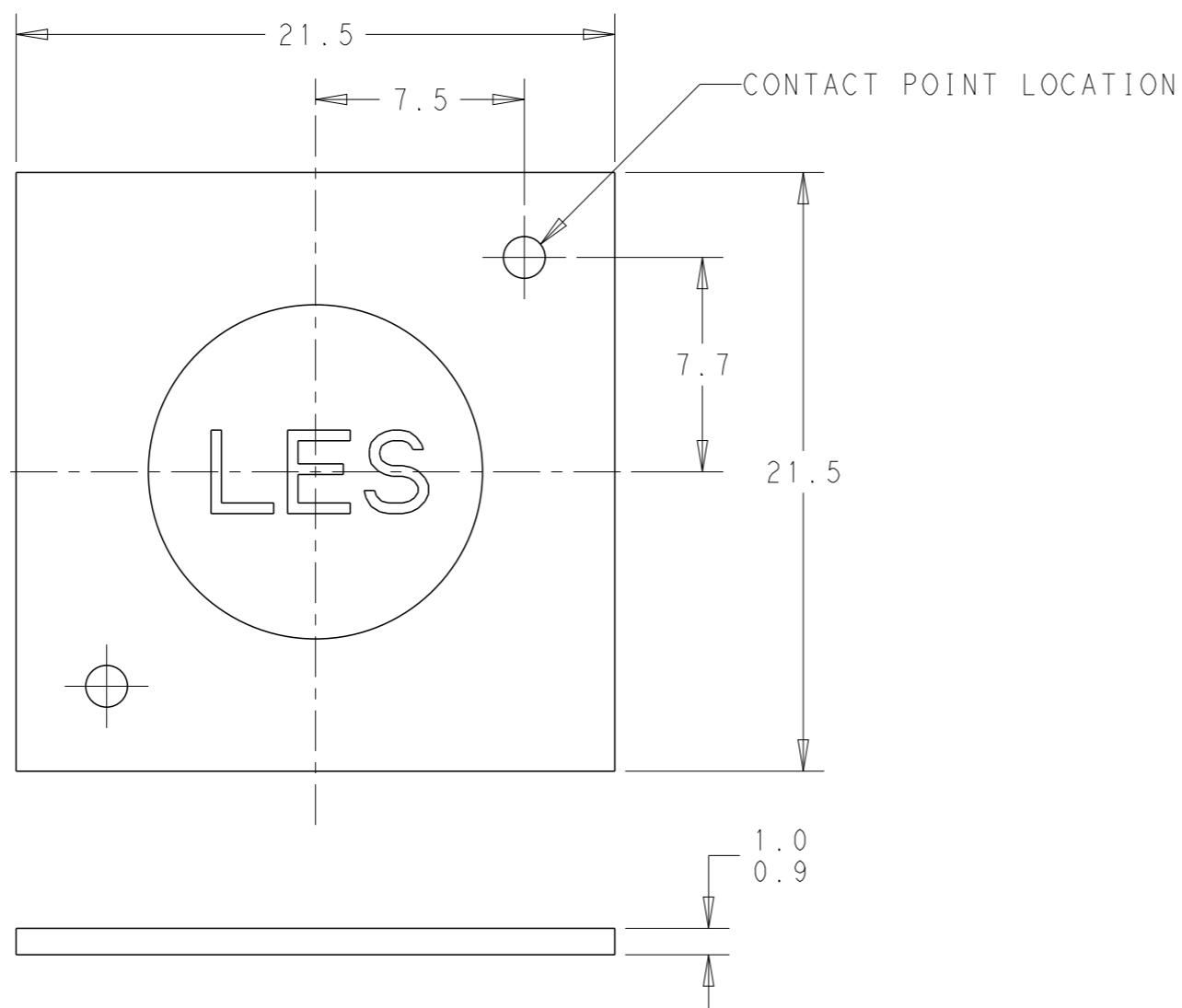
ALL RIGHTS RESERVED.

REVISIONS

P	LTR	DESCRIPTION	DATE	DWN	APVD
	-	SEE SHEET 1	-	-	-

THE SKETCH BELOW IS SHOWING THE NOMINAL LED COB DIMENSION TO MATCH WITH THE Z50 LED HOLDER 2121

FOR TECHNICAL DETAILS ABOUT A PROPER MATCH WITH A SPECIFIC LED COB ARRAY PLEASE CONTACT A REPRESENTATIVE AT TE-CONNECTIVITY



THIS DRAWING IS A CONTROLLED DOCUMENT.

DIMENSIONS:	TOLERANCES UNLESS OTHERWISE SPECIFIED:
mm	
	0 PLC ±-
	1 PLC ±-
	2 PLC ±-
	3 PLC ±-
	4 PLC ±-
	ANGLES ±-
MATERIAL	FINISH
-	-
-	-

DWN	M.V.ESSEN	07AUG2013
CHK	M.V.ESSEN	07AUG2013
APVD	O.I.FIJNSE	07AUG2013
PRODUCT SPEC	108-133008	
APPLICATION SPEC	114-32048	
WEIGHT	-	
CUSTOMER DRAWING		

		TE Connectivity	
		NAME	
LUMAWISE		Z50 LED HOLDER ASSY 2121	
SIZE	CAGE CODE	DRAWING NO	RESTRICTED TO
A3	00779	C-2213258	-
SCALE		SHEET	REV
4:1		3 OF 3	C1