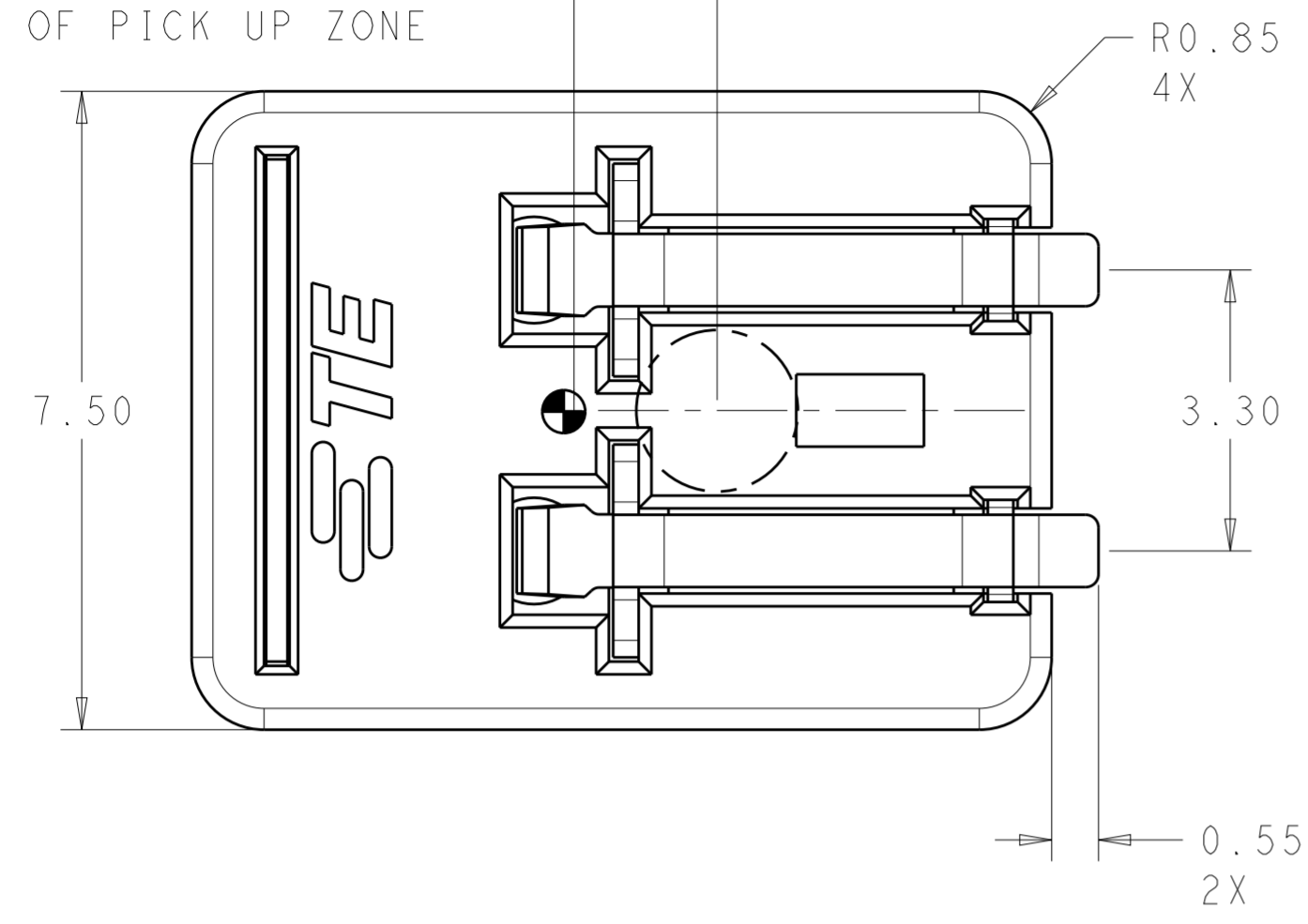


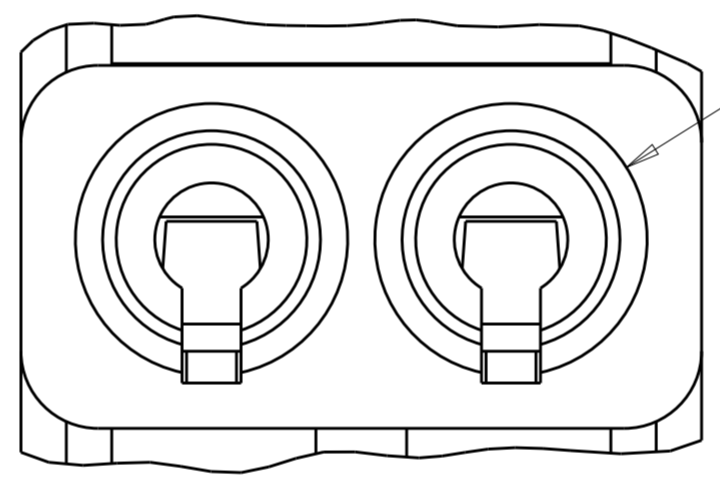
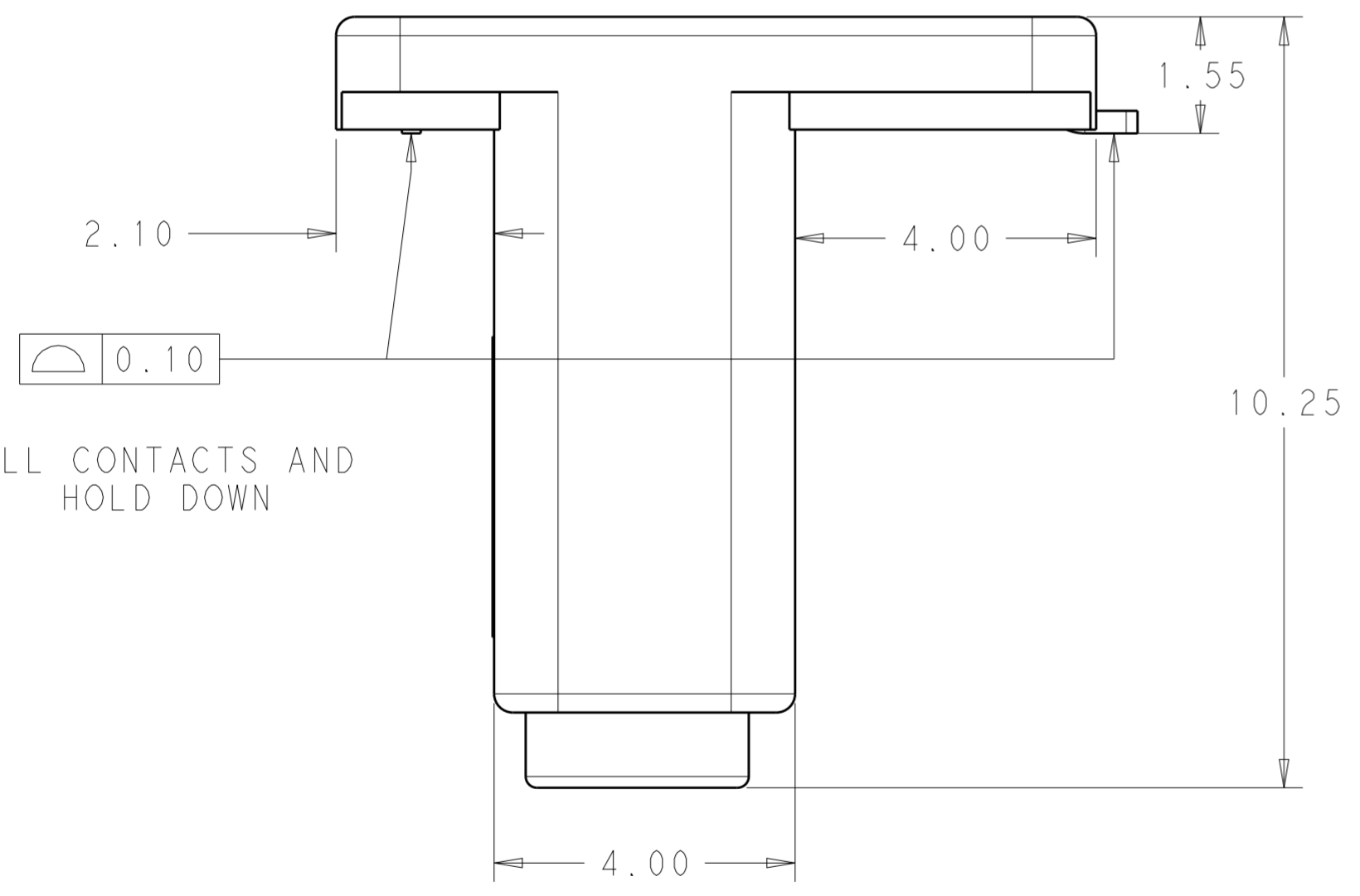
THIS DRAWING IS UNPUBLISHED. RELEASED FOR PUBLICATION 20  
 © COPYRIGHT 20 BY - ALL RIGHTS RESERVED.

REVISIONS							
LOC	DIST	P	LTR	DESCRIPTION	DATE	DWN	APVD
-	-	A		REVISED PER ECR-16-004597	12APR2016	RS	DD

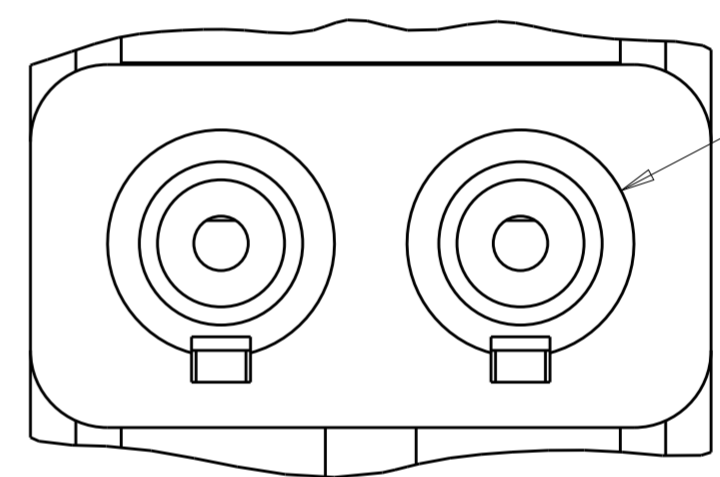
1.68 DISTANCE FROM COG TO CENTER OF PICK UP ZONE



- 1 MATERIALS AND FINISH:  
 -HOUSING AND COVER: THERMOPLASTIC, COLOR: NATURAL  
 -CONTACTS: COPPER ALLOY, FINISH: Sn OVER Ni  
 -HOLD DOWN: COPPER ALLOY, FINISH: Sn OVER Ni
- 2. MUST COMPLY WITH DIRECTIVE 2002/95/EC (ROHS)
- 3. NOTE DELETED.
- 4 TO BE USED WITH UL1007 WIRE 22-18AWG SOLID, 20-18 AWG BONDED, 18 AWG STRANDED.
- 5. PACKAGED IN TAPE AND REEL
- 6 TO BE USED WITH UL1007 WIRE 26-24 AWG SOLID.
- 7 DIMENSION SHOWN IS RECOMMENDED SOLDER MASK OPENING



2213189-1, -3



2213189-2, -4

2213189-1, -2

MARKING	DIM X	DESCRIPTION	WIRE RANGE	PART NO.
26-24	Ø 2.50	WITH COVER	6	2213189-4
22-18	Ø 3.00	WITH COVER	4	2213189-3
26-24	Ø 2.50	W/O COVER	6	2213189-2
22-18	Ø 3.00	W/O COVER	4	2213189-1

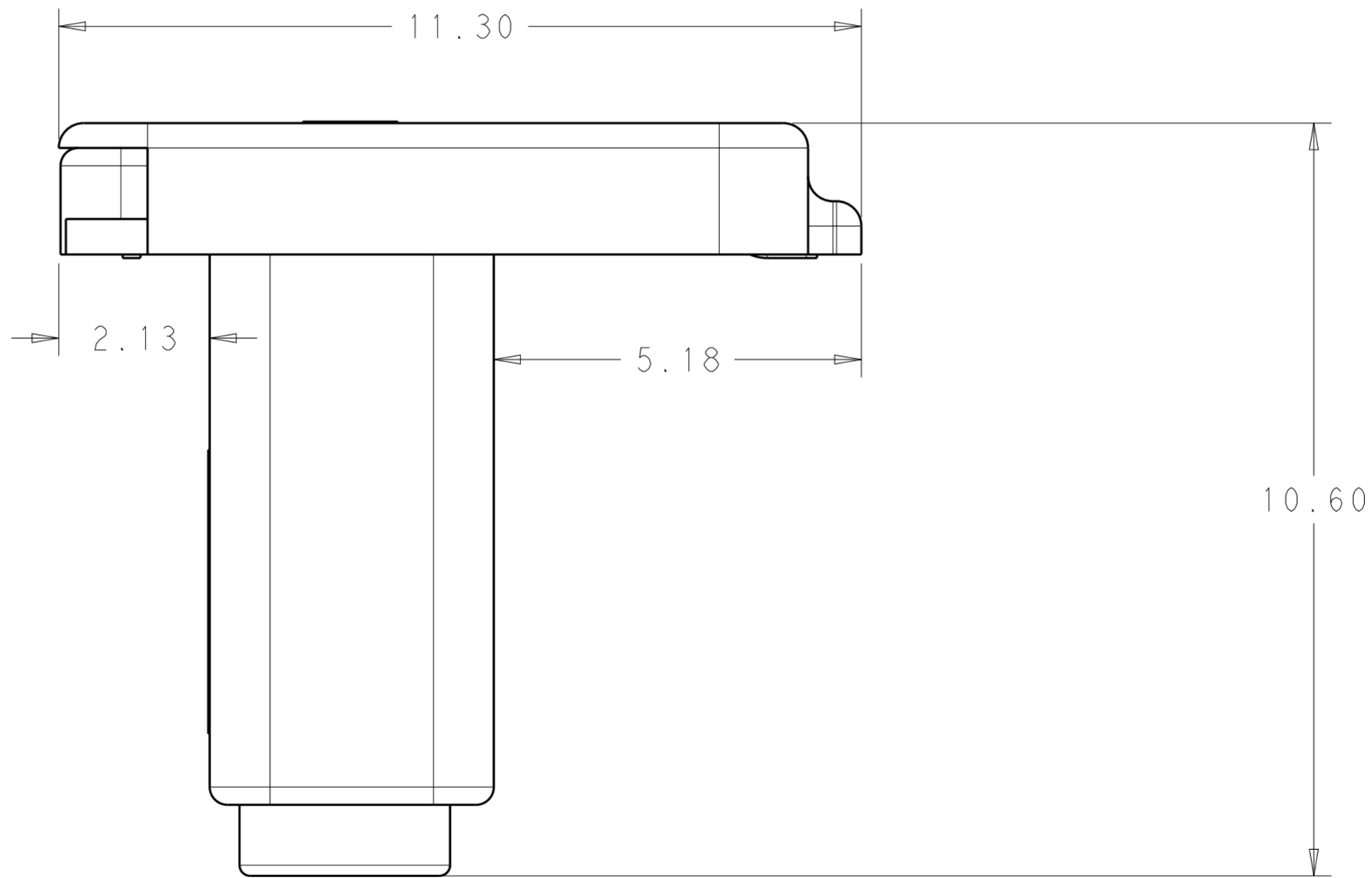
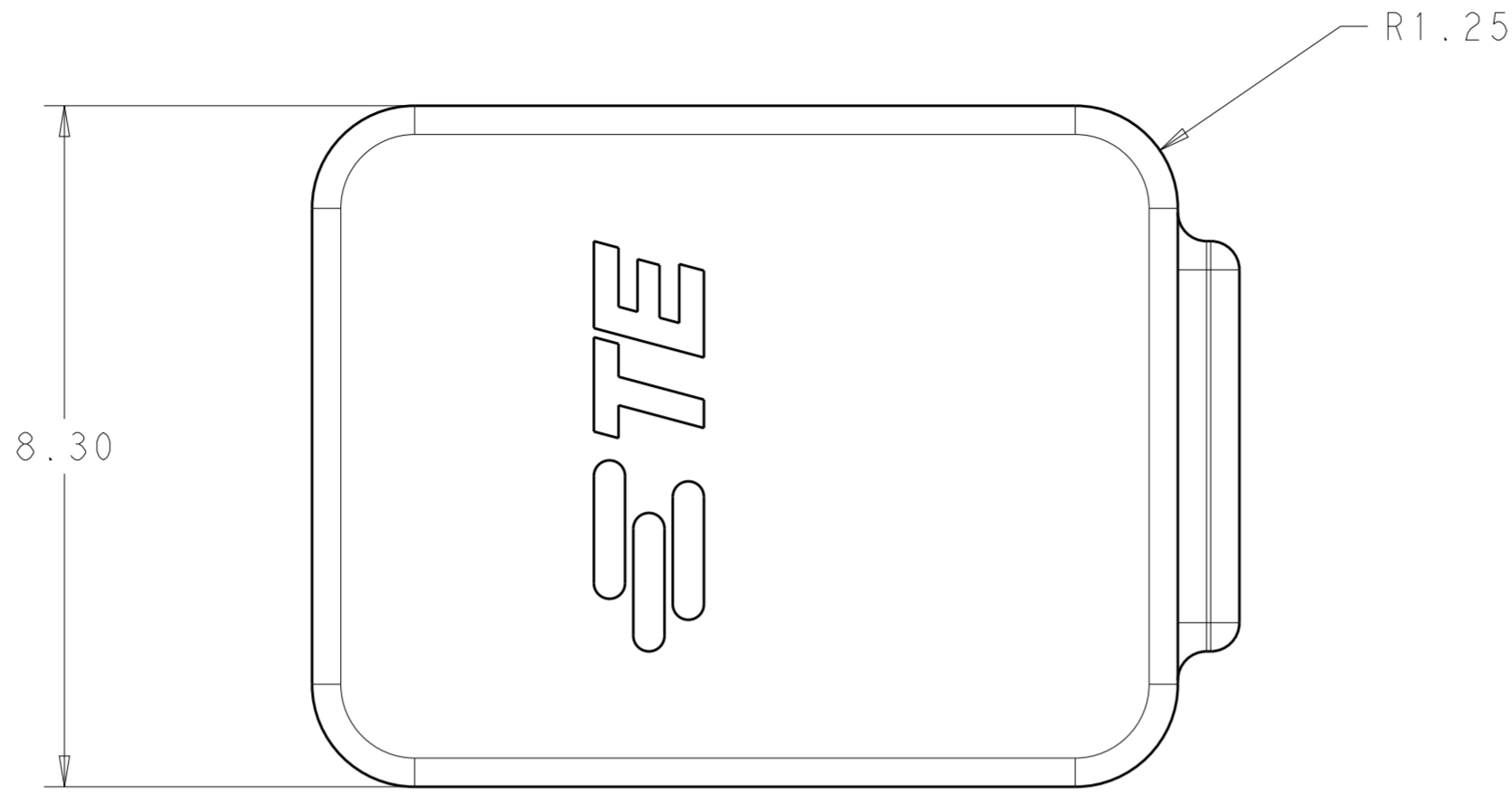
SEE VIEW E

THIS DRAWING IS A CONTROLLED DOCUMENT.

DWN C. DAILY 25OCT2012	TE Connectivity
CHK C. GINGRICH 25OCT2012	
APVD -	NAME ASSEMBLY, POKE-IN INVERTED THROUGH BOARD
PRODUCT SPEC 108-32040	SIZE A200779
APPLICATION SPEC 114-32054	DRAWING NO C-2213189
MATERIAL -	RESTRICTED TO -
WEIGHT -	SCALE 6:1
CUSTOMER DRAWING	SHEET 1 OF 4 REV A

THIS DRAWING IS UNPUBLISHED. RELEASED FOR PUBLICATION 20  
 © COPYRIGHT 20 BY - ALL RIGHTS RESERVED.

LOC	DIST	REVISIONS			
P	LTR	DESCRIPTION	DATE	DWN	APVD
-	-	SEE SHEET 1	-	-	-

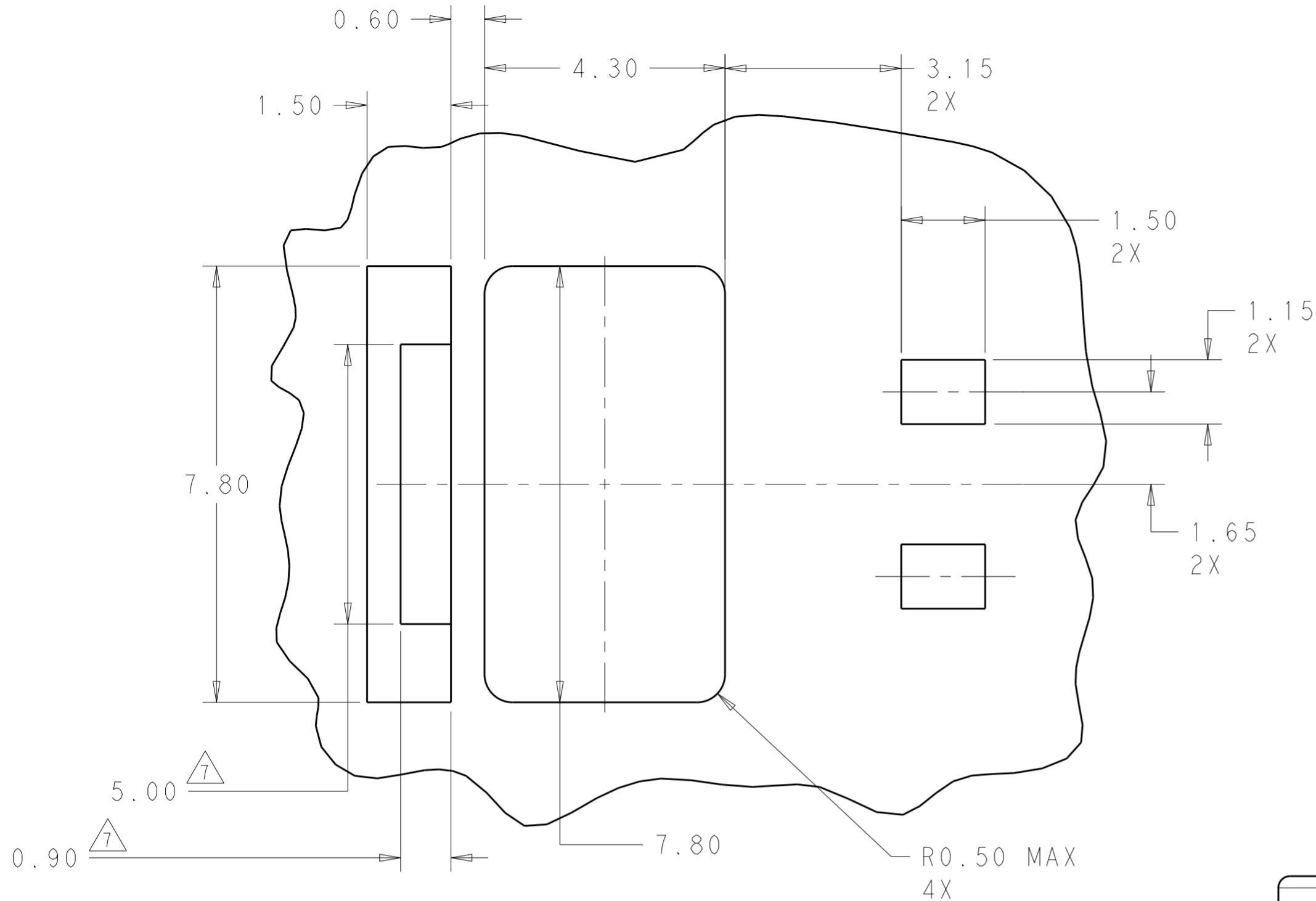


2213189-3, -4

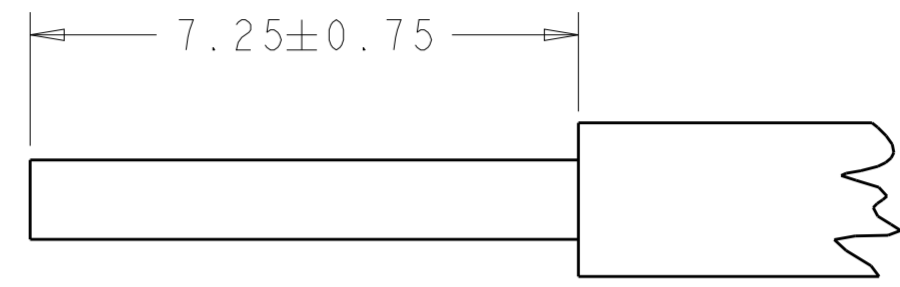
THIS DRAWING IS A CONTROLLED DOCUMENT.		DWN C. DAILY 25OCT2012	<b>STC</b> TE Connectivity																						
		CHK C. GINGRICH 25OCT2012																							
DIMENSIONS: mm		TOLERANCES UNLESS OTHERWISE SPECIFIED:		NAME ASSEMBLY, POKE-IN INVERTED THROUGH BOARD																					
<table border="0"> <tr><td>0 PLC</td><td>±</td><td>-</td></tr> <tr><td>1 PLC</td><td>±0.2</td><td></td></tr> <tr><td>2 PLC</td><td>±0.15</td><td></td></tr> <tr><td>3 PLC</td><td>±</td><td></td></tr> <tr><td>4 PLC</td><td>±</td><td></td></tr> <tr><td>ANGLES</td><td>±</td><td>±2A°</td></tr> <tr><td>FINISH</td><td>-</td><td></td></tr> </table>		0 PLC	±	-	1 PLC	±0.2		2 PLC	±0.15		3 PLC	±		4 PLC	±		ANGLES	±	±2A°	FINISH	-		APVD -	PRODUCT SPEC 108-32040	SIZE A200779
0 PLC	±	-																							
1 PLC	±0.2																								
2 PLC	±0.15																								
3 PLC	±																								
4 PLC	±																								
ANGLES	±	±2A°																							
FINISH	-																								
MATERIAL -		APPLICATION SPEC 114-32054	WEIGHT -	DRAWING NO C-2213189																					
		Customer Drawing		RESTRICTED TO -																					
		SCALE 6:1	SHEET 2 OF 4	REV A																					

THIS DRAWING IS UNPUBLISHED. RELEASED FOR PUBLICATION 20  
 © COPYRIGHT 20 BY - ALL RIGHTS RESERVED.

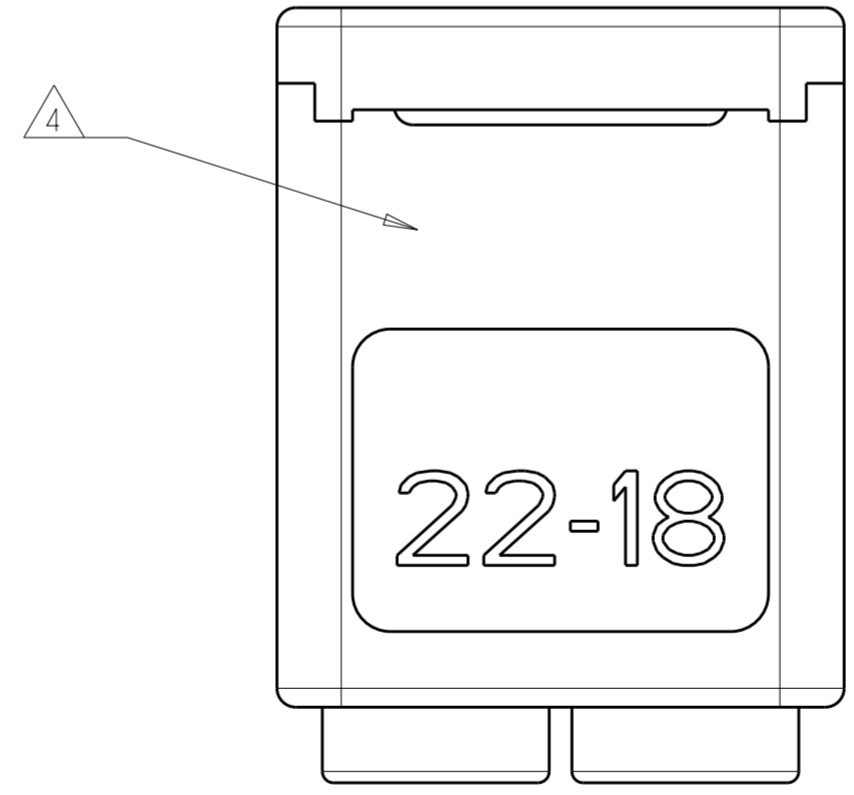
LOC	DIST	REVISIONS			
P	LTR	DESCRIPTION	DATE	DWN	APVD
-	-	SEE SHEET 1	-	-	-



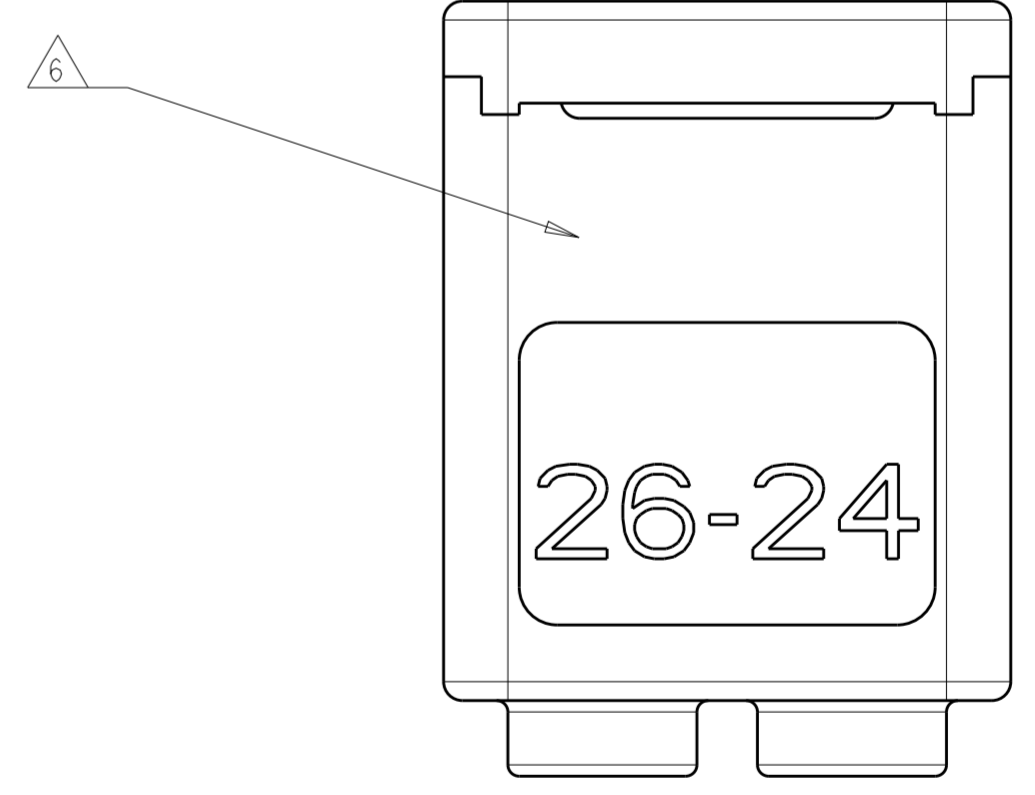
MOUNTING PCB LAYOUT  
SCALE 12:1



WIRE PREPARATION DETAIL  
SCALE 10:1



2213189-1, -3  
SCALE 10:1

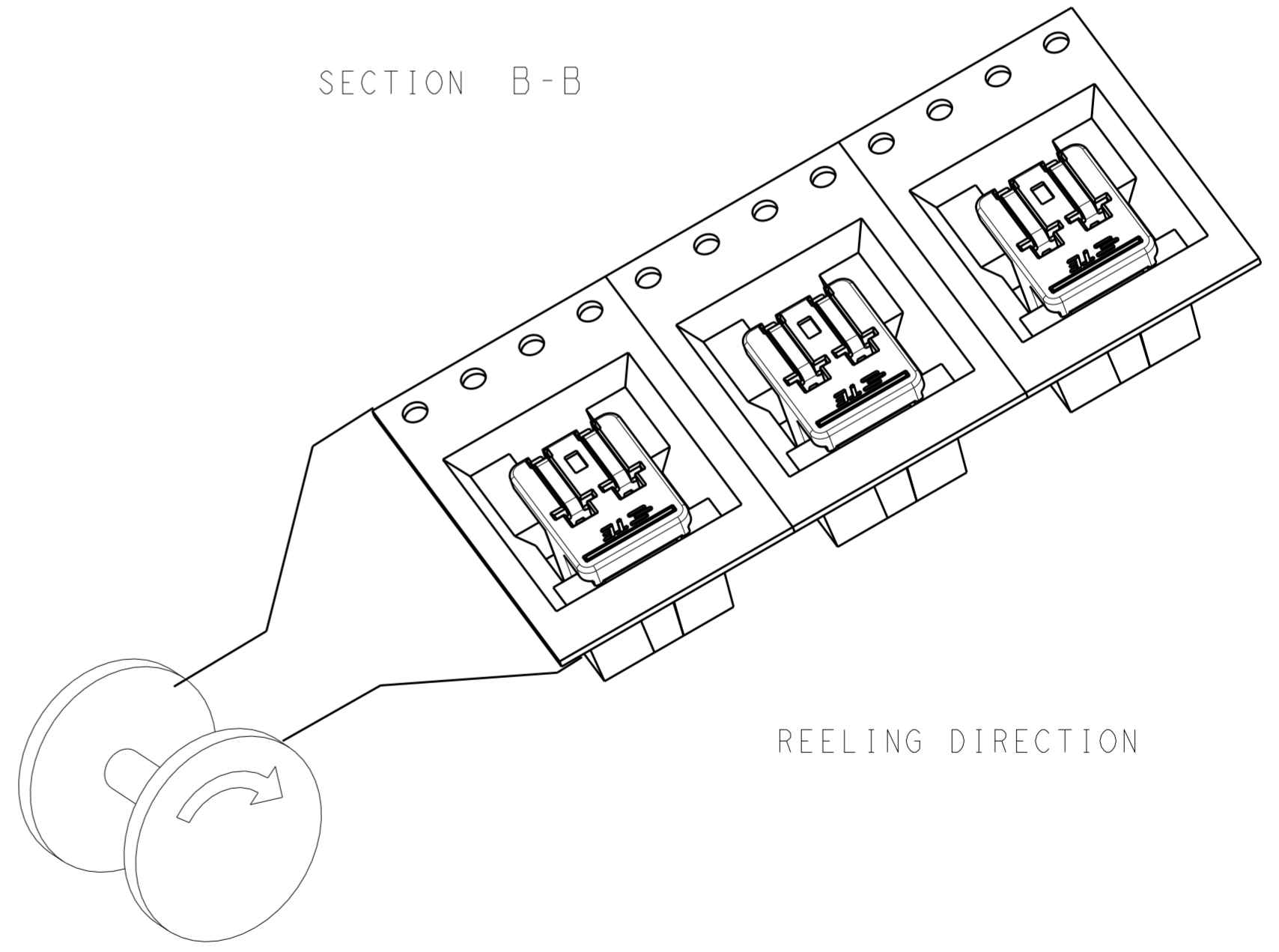
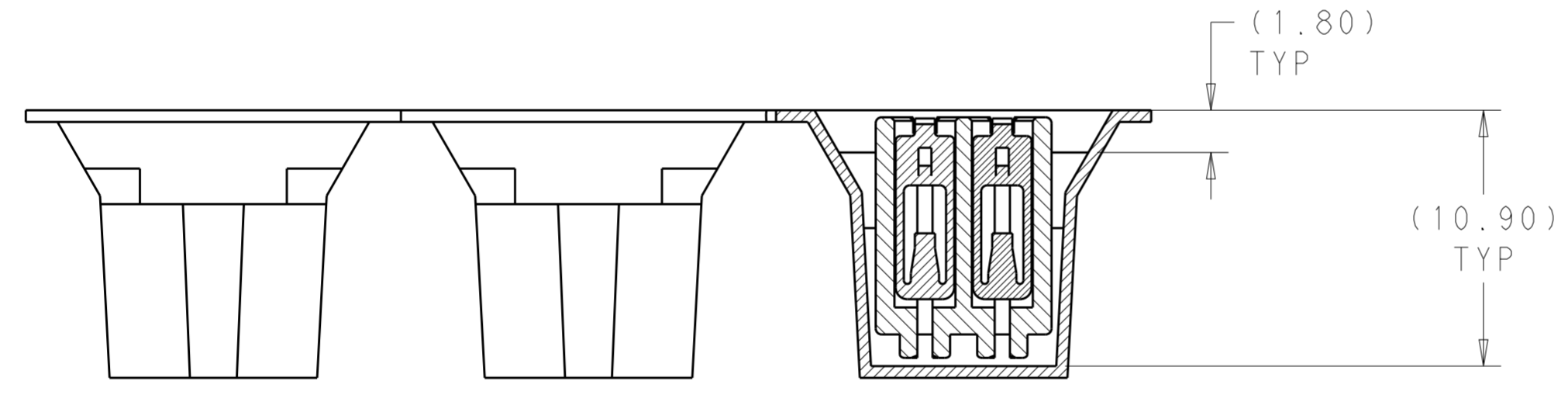
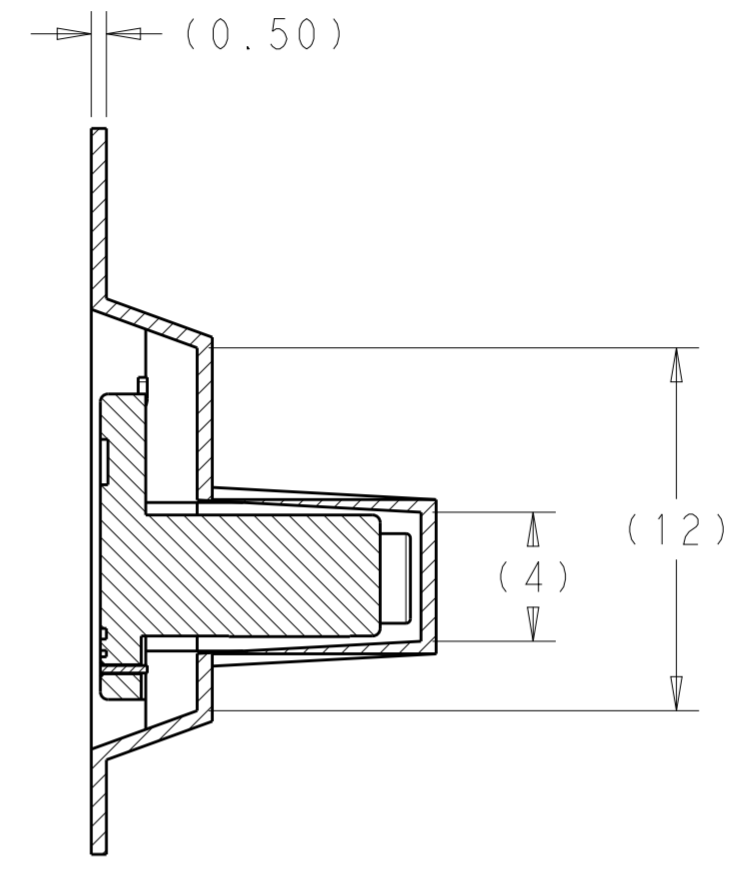
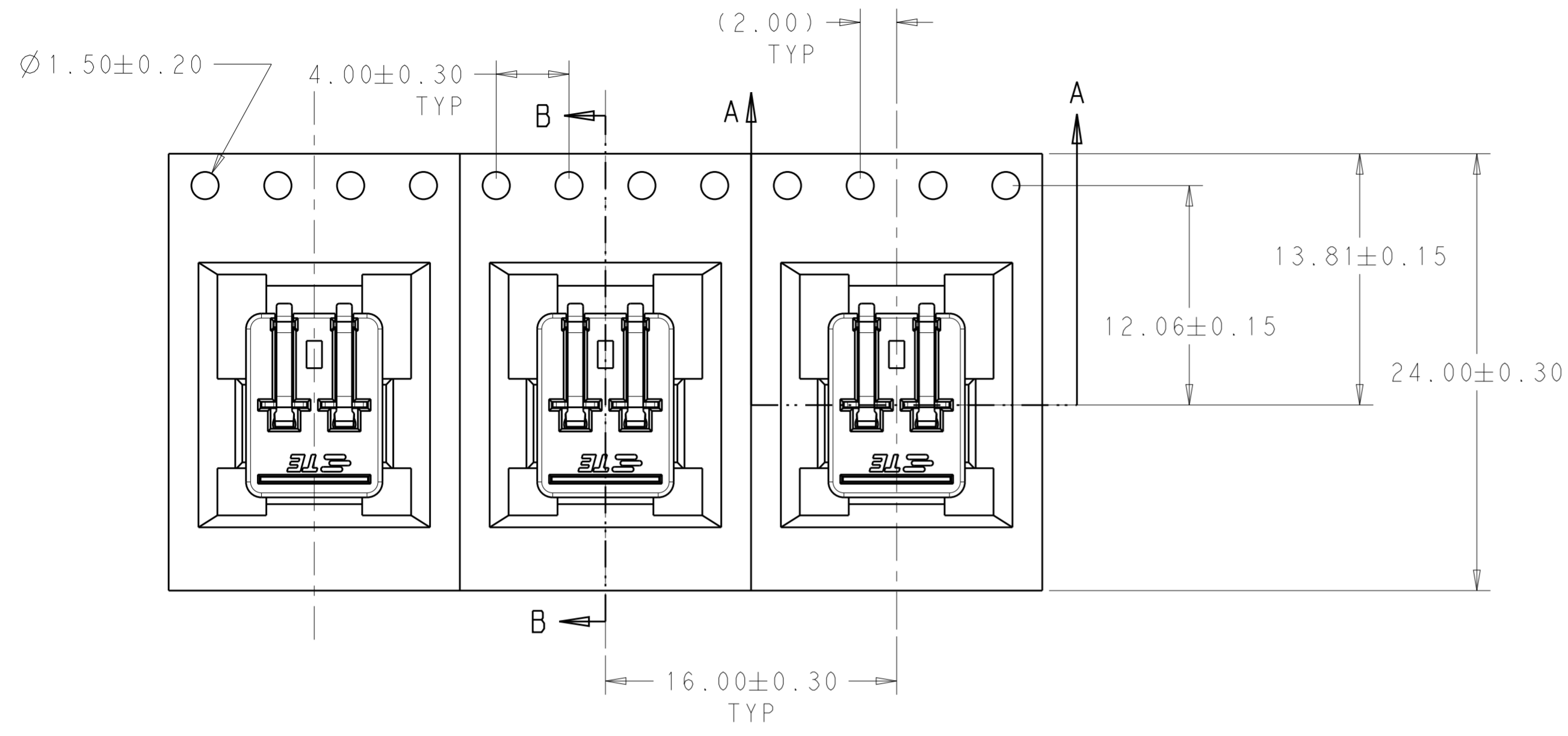


2213189-2, -4  
SCALE 10:1

THIS DRAWING IS A CONTROLLED DOCUMENT.		DWN C. DAILY 25OCT2012	<b>STE</b> TE Connectivity	
		CHK C. GINGRICH 25OCT2012		
DIMENSIONS: mm	TOLERANCES UNLESS OTHERWISE SPECIFIED:	APVD -	NAME ASSEMBLY, POKE-IN INVERTED THROUGH BOARD	
	0 PLC ± 1 PLC ±0.2 2 PLC ±0.15 3 PLC ± 4 PLC ± ANGLES ±2A° FINISH -	PRODUCT SPEC 108-32040	SIZE A200779	
MATERIAL -	-	APPLICATION SPEC 114-32054	DRAWING NO C-2213189	RESTRICTED TO -
		WEIGHT -	SCALE 2:1	SHEET 3 OF 4
		Customer Drawing	REV A	

THIS DRAWING IS UNPUBLISHED. RELEASED FOR PUBLICATION 20  
 © COPYRIGHT 20 BY - ALL RIGHTS RESERVED.

LOC		DIST		REVISIONS			
P	LTR	DESCRIPTION	DATE	DWN	APVD		
-	-	SEE SHEET 1	-	-	-		



PACKAGING FOR 2213189-1 SHOWN

THIS DRAWING IS A CONTROLLED DOCUMENT.		DWN C. DAILY 25OCT2012	<b>STE</b> TE Connectivity																						
		CHK C. GINGRICH 25OCT2012																							
DIMENSIONS: mm		TOLERANCES UNLESS OTHERWISE SPECIFIED:		NAME ASSEMBLY, POKE-IN INVERTED THROUGH BOARD																					
<table border="0"> <tr><td>0 PLC</td><td>±</td><td></td></tr> <tr><td>1 PLC</td><td>±0.2</td><td></td></tr> <tr><td>2 PLC</td><td>±0.15</td><td></td></tr> <tr><td>3 PLC</td><td>±</td><td></td></tr> <tr><td>4 PLC</td><td>±</td><td></td></tr> <tr><td>ANGLES</td><td>±2A°</td><td></td></tr> <tr><td>FINISH</td><td></td><td></td></tr> </table>		0 PLC	±		1 PLC	±0.2		2 PLC	±0.15		3 PLC	±		4 PLC	±		ANGLES	±2A°		FINISH			APVD -	PRODUCT SPEC 108-32040	SIZE A200779
0 PLC	±																								
1 PLC	±0.2																								
2 PLC	±0.15																								
3 PLC	±																								
4 PLC	±																								
ANGLES	±2A°																								
FINISH																									
MATERIAL -		APPLICATION SPEC 114-32054	WEIGHT -	DRAWING NO C-2213189																					
		Customer Drawing		RESTRICTED TO -																					
		SCALE 2:1	SHEET 4 OF 4	REV A																					