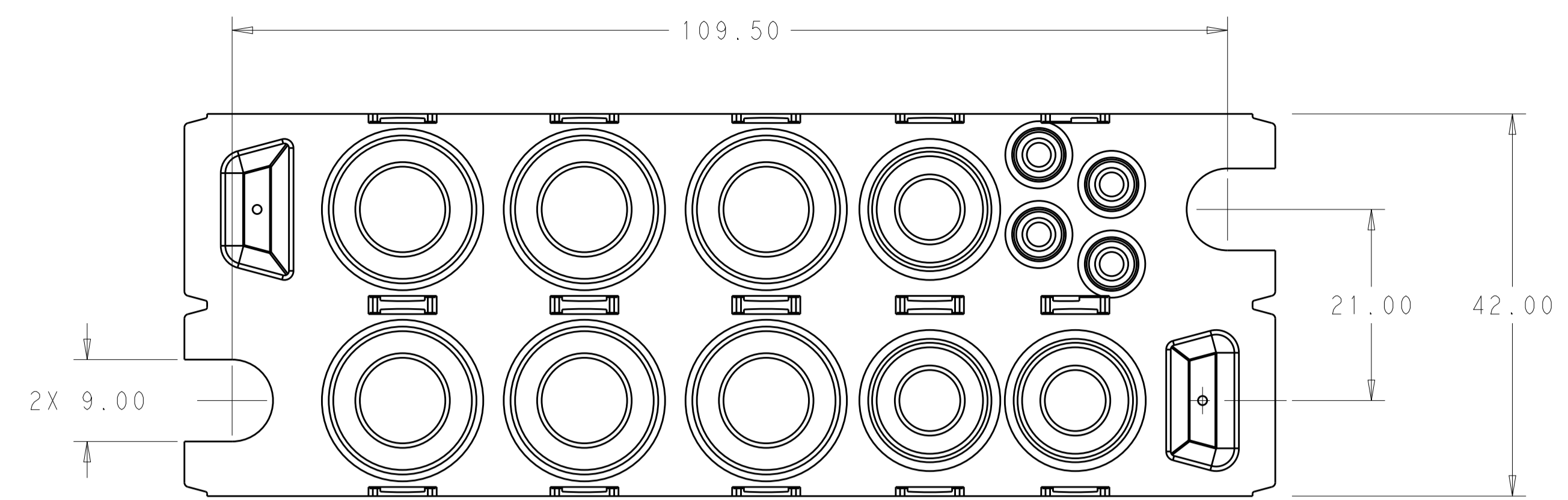
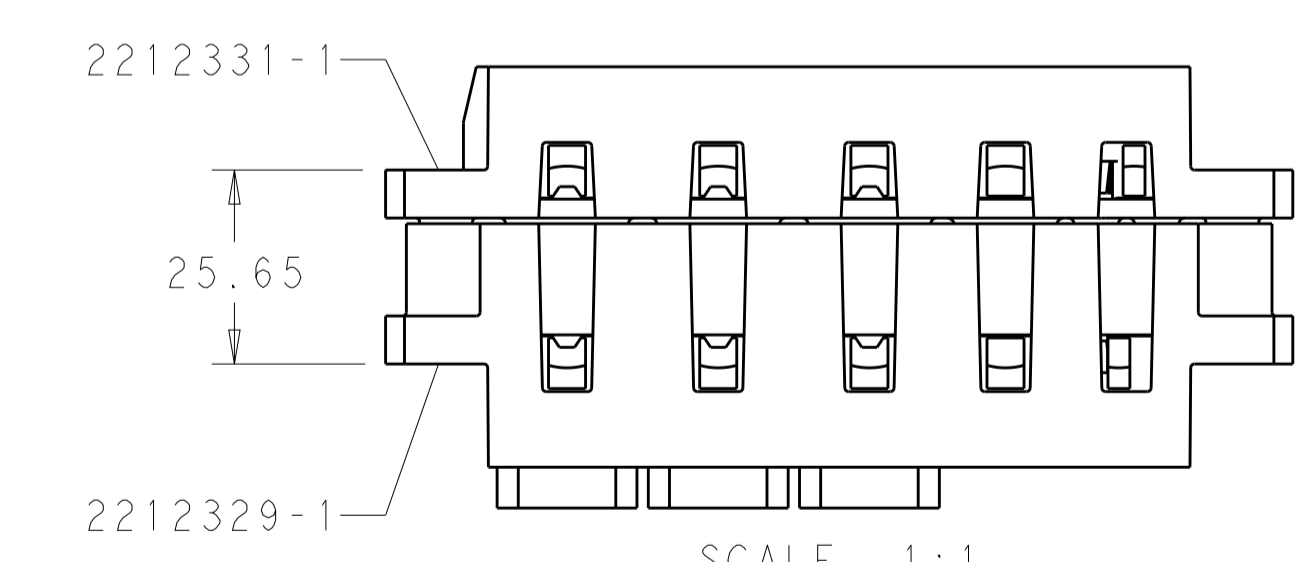
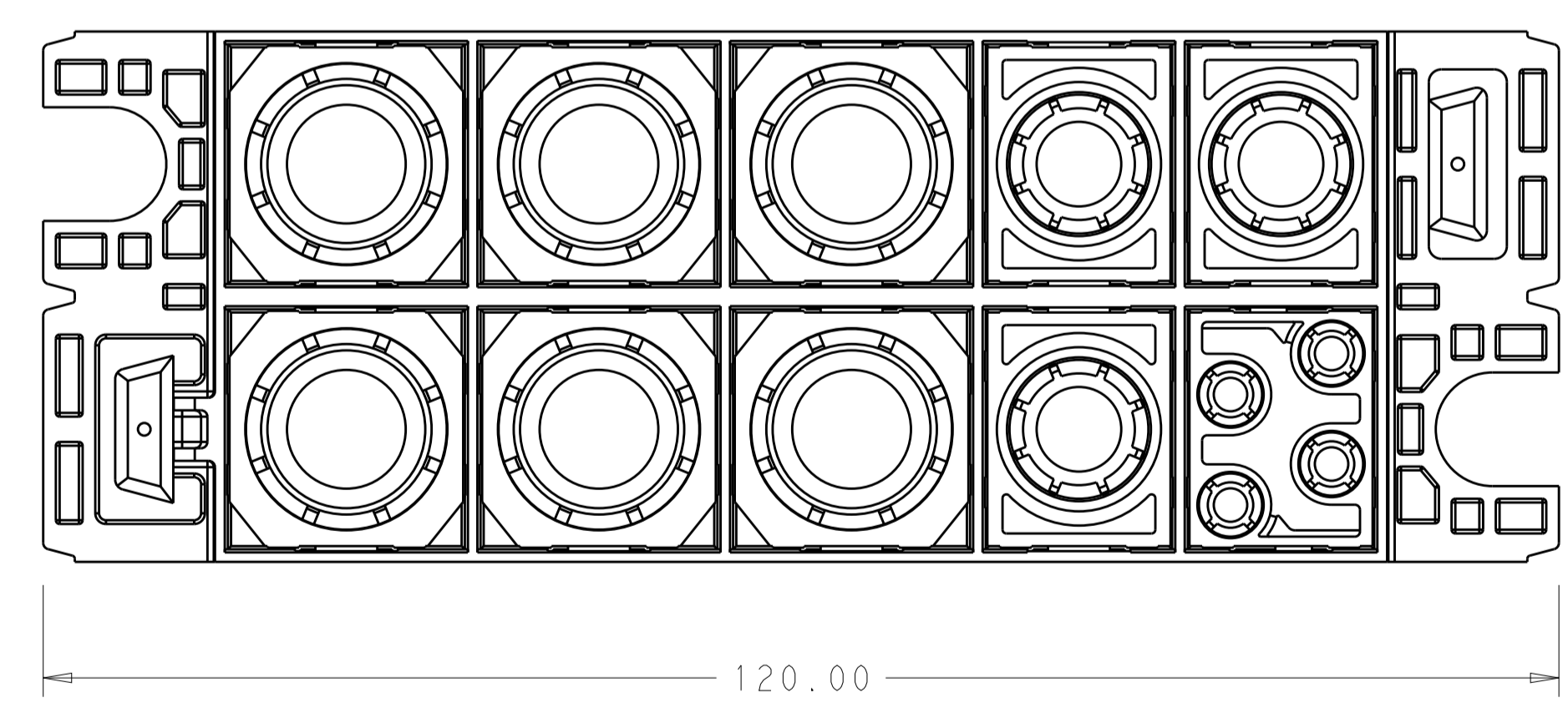
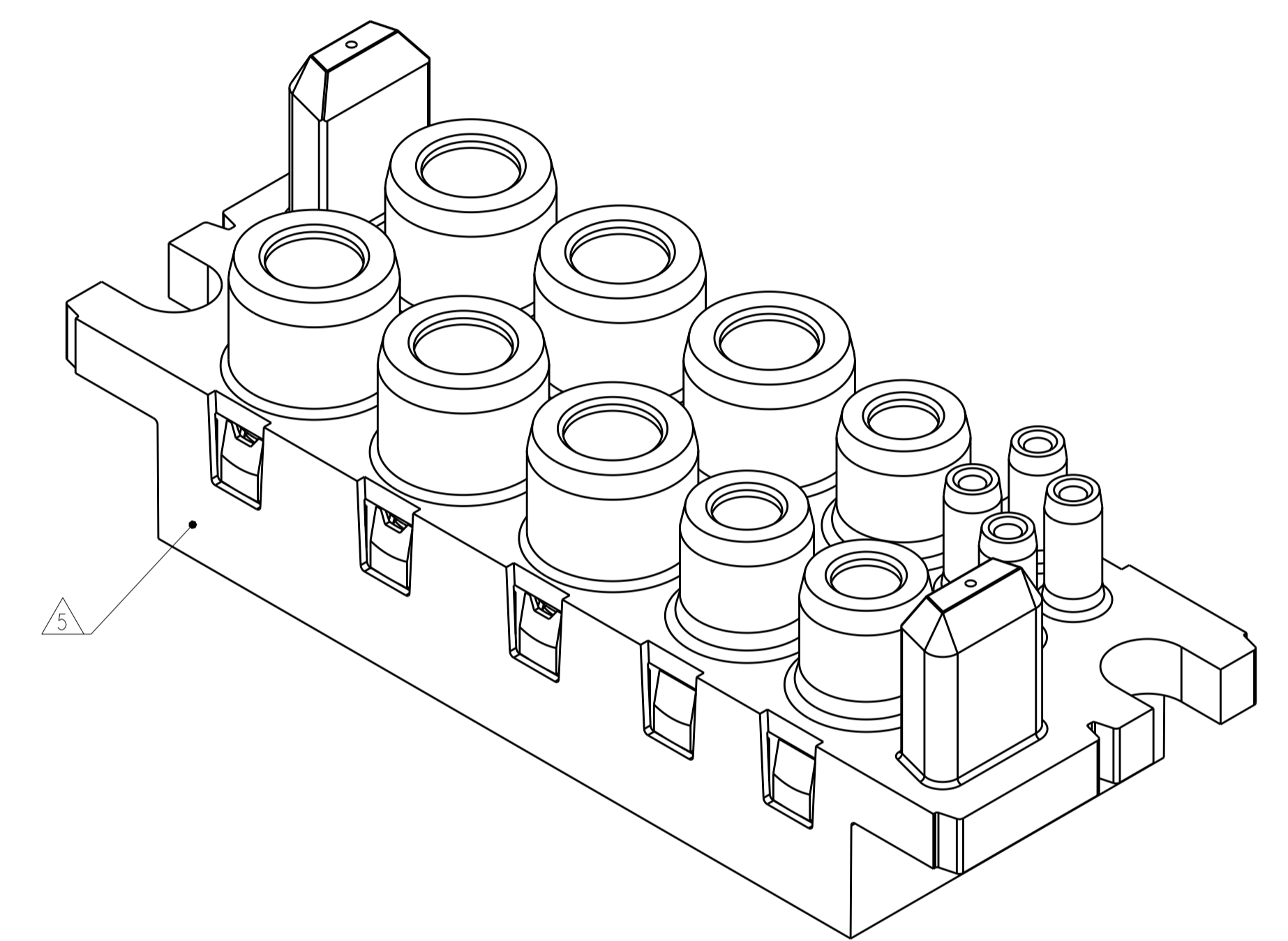
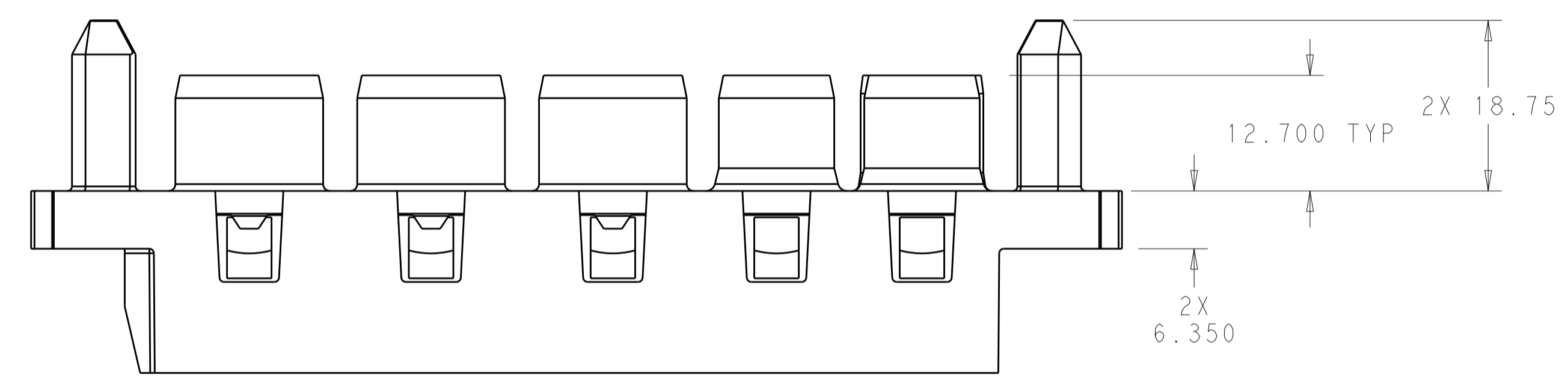
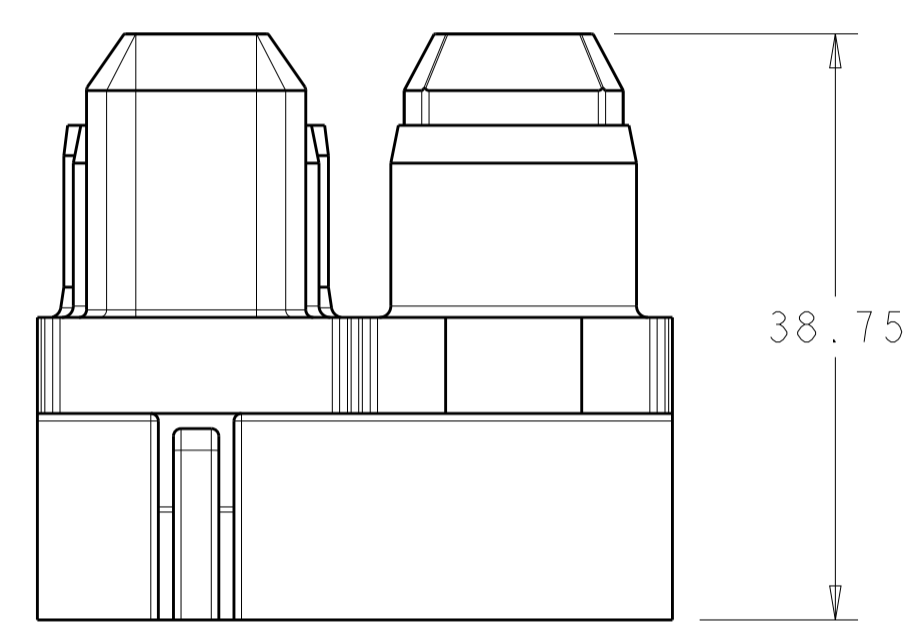


LOC		DIST		REVISIONS			
				REV	DATE	BY	APPV



- △ HOUSING: THERMOPLASTIC, COLOR BLACK, FLAMMABILITY RATING UL 94 V-0.
- △ THIS ASSEMBLY TO MATE WITH TEC PART NUMBER 2212329-1.
- 3. RECOMMENDED SHOULDER SCREW:
 2212056, FLOAT MOUNT
 2212055, FIXED MOUNT
- △ RECOMMENDED PANEL CUTOUT FOR FRONT PANEL MOUNT APPLICATION.
 RECOMMENDED PANEL THICKNESS 1.5 TO 1.78.
- △ DATE CODE AND PART NUMBER IN APPROXIMATE AREA SHOWN.



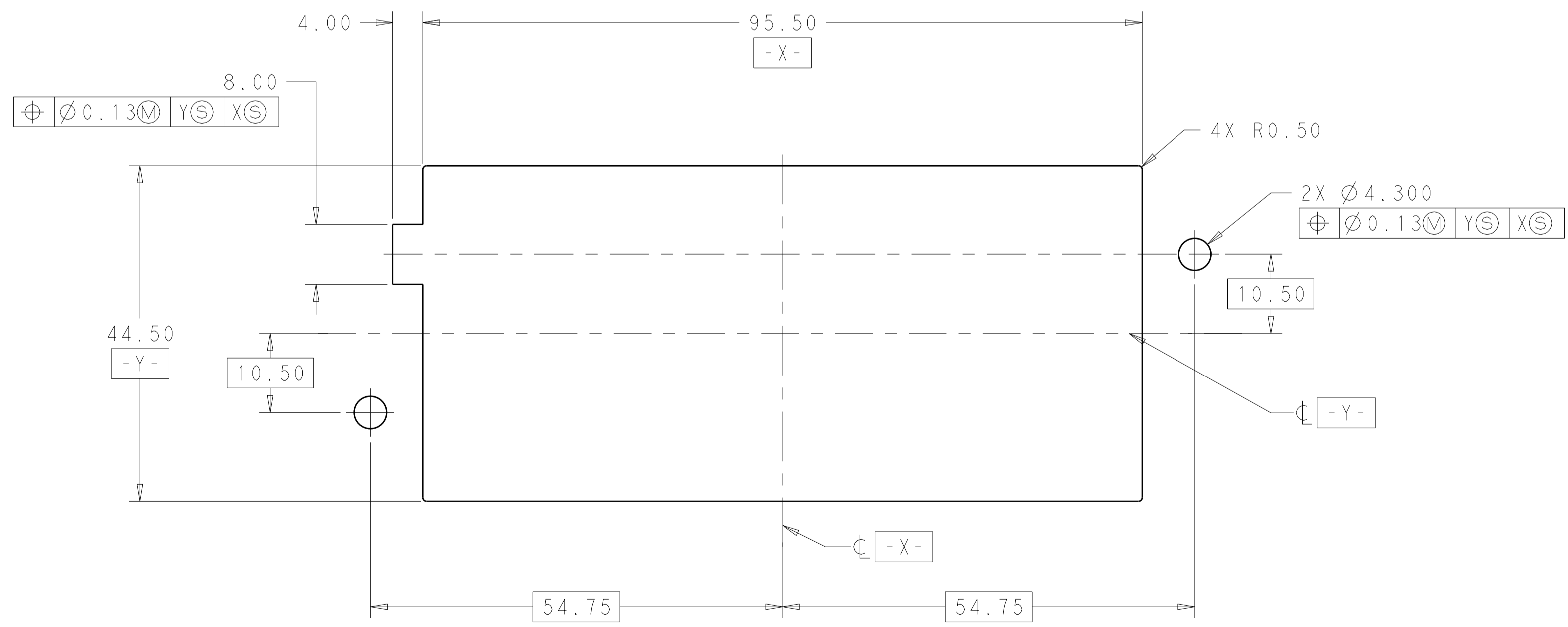
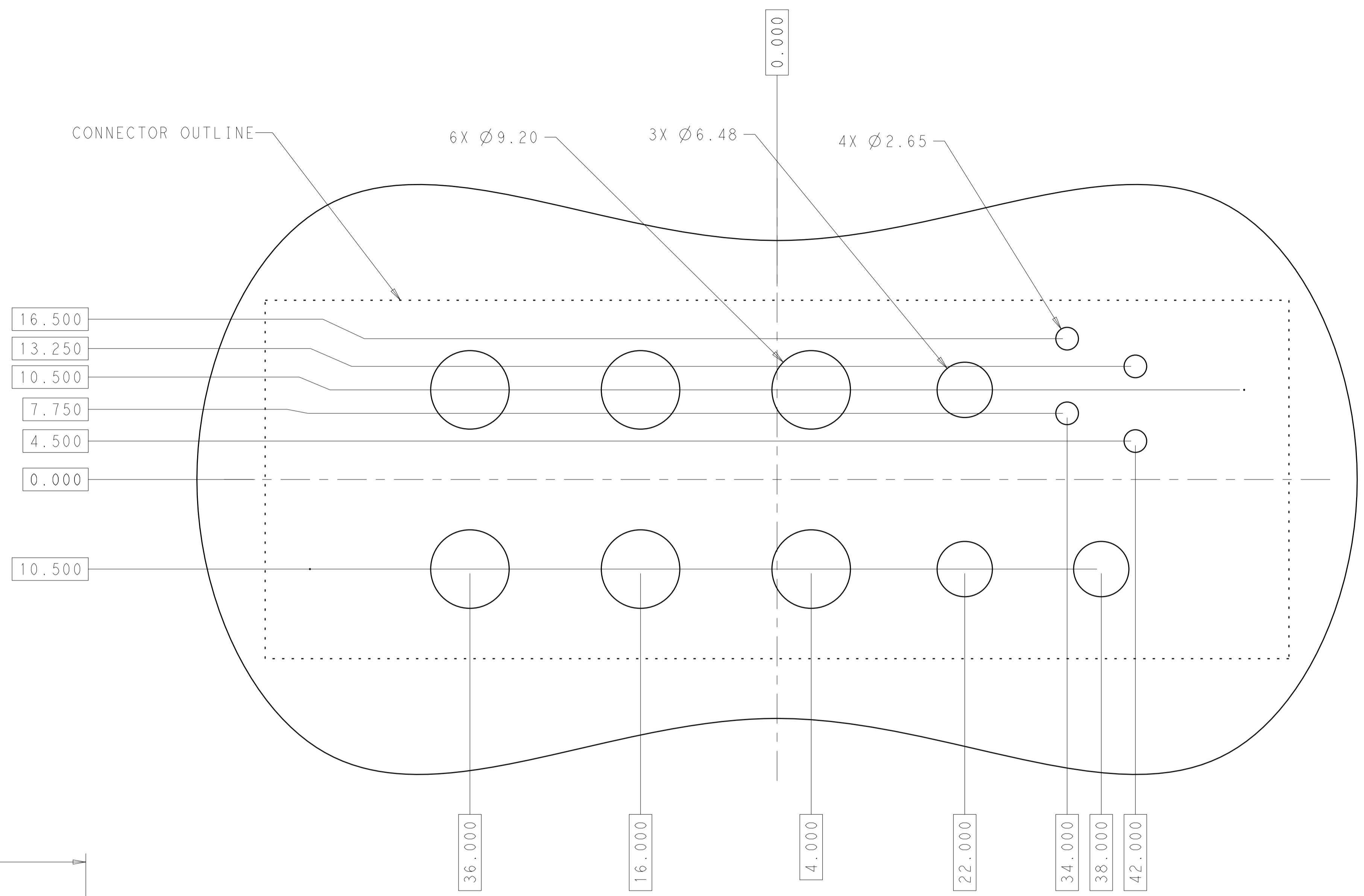
SCALE 1:1
 FULLY MATED ASSEMBLIES △

CONNECTOR, SOCKET, FORGE 6x#0,3x#4,0x#8,1x#12,0x#22,	2212331-1
DESCRIPTION	PART NO.

THIS PRINT IS
PRELIMINARY
 UNQUALIFIED PRODUCT
 CONTACT PRODUCT ENGINEERING
 BEFORE USING THIS PRINT

THIS DRAWING IS A CONTROLLED DOCUMENT.		OWN: R. IREDA 27JAN2015	TE Connectivity
DIMENSIONS: mm		CHK: E. WICKES 27JAN2015	
TOLERANCES UNLESS OTHERWISE SPECIFIED:		APPV: D. ORRIS 27JAN2015	
0 PLC ±N/A 1 PLC ±N/A 2 PLC ±0.25 3 PLC ±0.13 4 PLC ±N/A ANGLES ±N/A°		NAME: CONNECTOR, SOCKET, FORGE 6x#0,3x#4,0x#8,1x#12,0x#22 CONFIGURATION PRODUCT SPEC: 108-2323 APPLICATION SPEC: 114-13299 WEIGHT: - Customer Drawing	
MATERIAL: △	FINISH: -	SIZE: A100779	CAGE CODE: 2212331 DRAWING NO: 2212331 RESTRICTED TO: - SCALE: 2:1 SHEET 1 OF 2 REV 2

LOC		DIST		REVISIONS			
				REV	DATE	BY	APPV
-	-	-	-	-	-	-	-
-	-	-	-	1	SEE SHEET 1	-	-



THIS DRAWING IS A CONTROLLED DOCUMENT.		OWN: R. IREA 27JAN2015	TE Connectivity
DIMENSIONS: mm		CHK: E. WICKES 27JAN2015	
TOLERANCES UNLESS OTHERWISE SPECIFIED:		APVD: D. ORRIS 27JAN2015	NAME: CONNECTOR, SOCKET, FORGE
0 PLC ±N/A		PRODUCT SPEC: 108-2323	6x#0, 3x#4, 0x#8, 1x#12, 0x#22
1 PLC ±N/A		APPLICATION SPEC: 114-13299	CONFIGURATION
2 PLC ±0.25		SIZE: A1	CAGE CODE: 00779
3 PLC ±0.13		WEIGHT: -	DRAWING NO: 2212331
4 PLC ±N/A		RESTRICTED TO: -	SCALE: 2:1
ANGLES: ±N/A		Customer Drawing	SHEET 2 OF 2
FINISH: -			REV 2