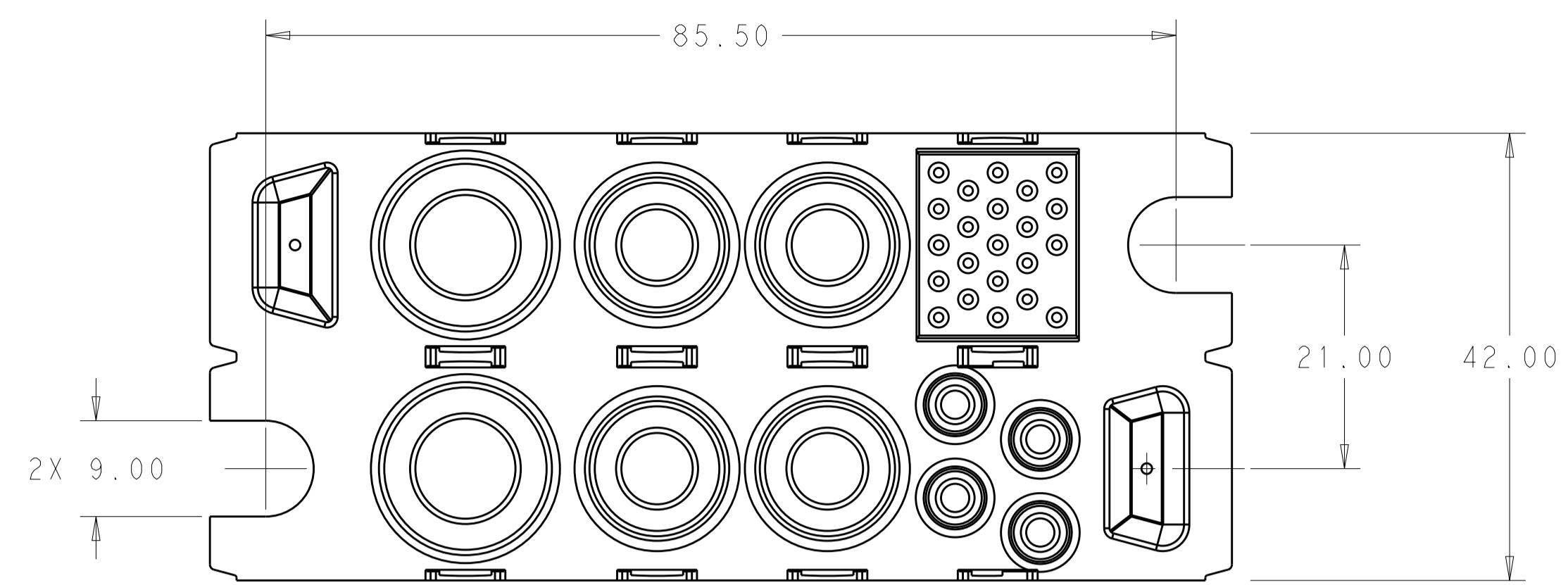
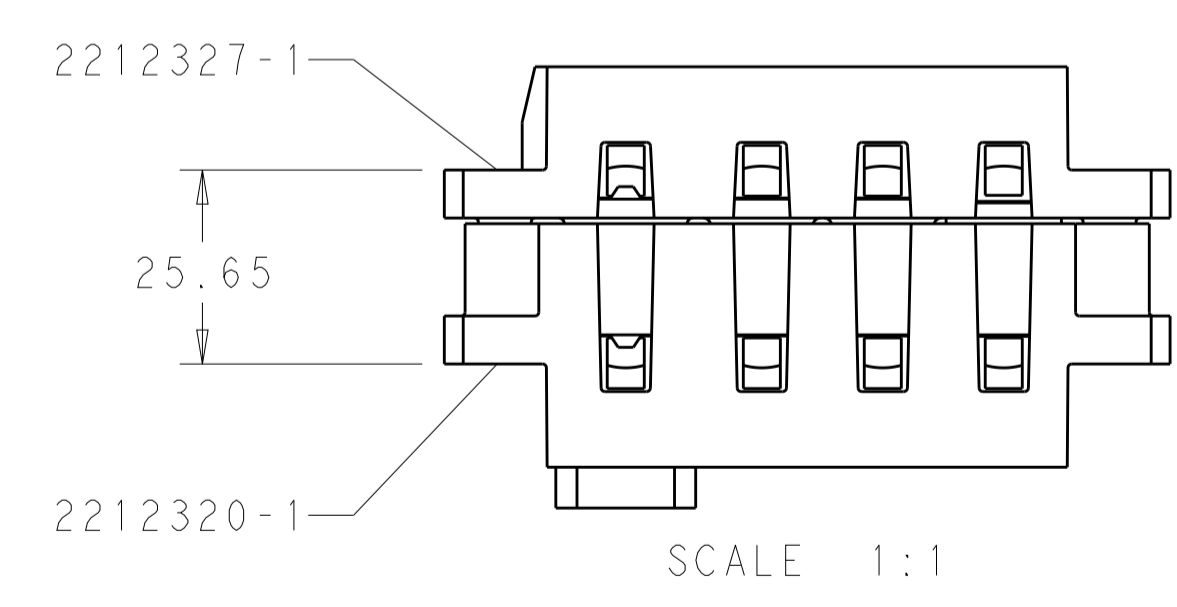
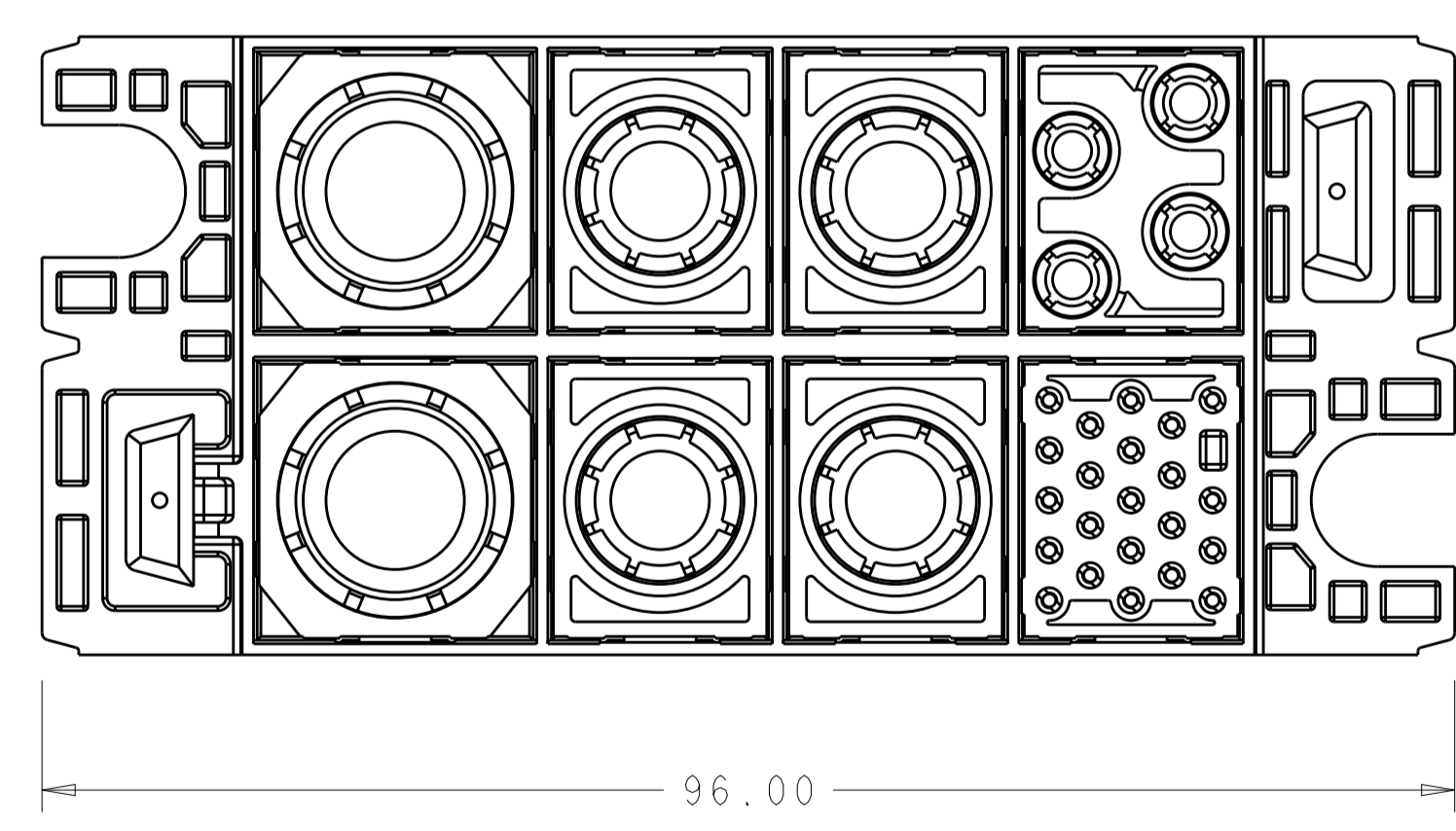
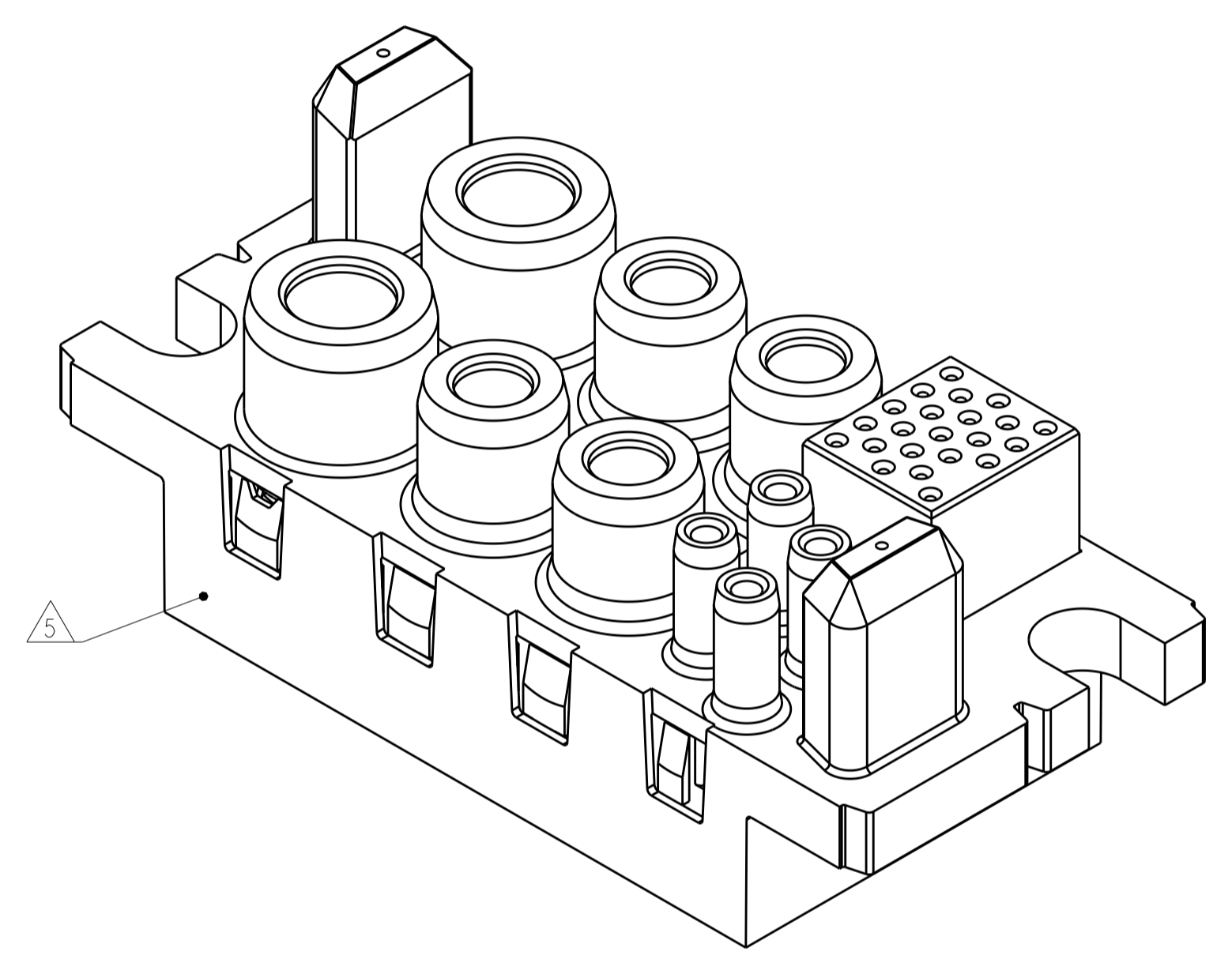
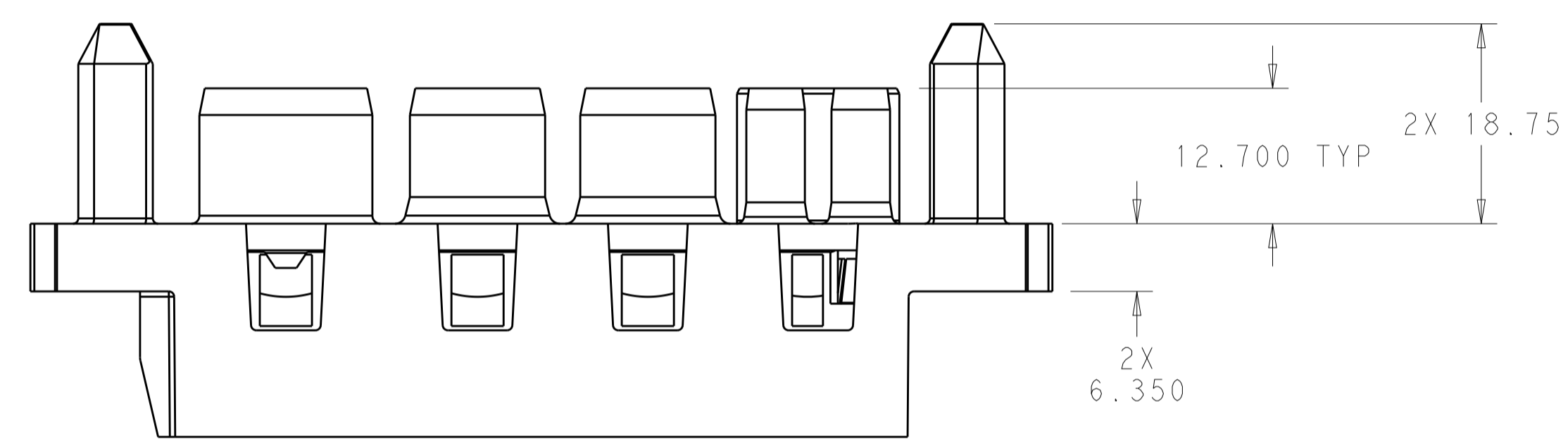
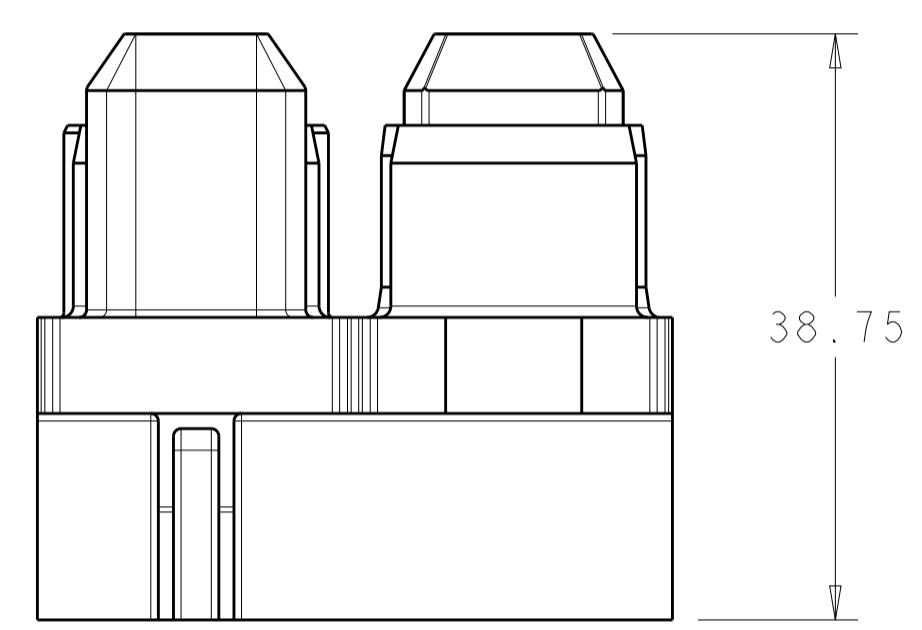


LOC		DIST		REVISIONS			
				REV	DATE	BY	APPV
-	-	2		STANDARDIZE DWG	02FEB2015	RT	EW



- △ HOUSING: THERMOPLASTIC, COLOR BLACK, FLAMMABILITY RATING UL 94 V-0.
- △ THIS ASSEMBLY TO MATE WITH TEC PART NUMBER 2212320-1.
- 3. RECOMMENDED SHOULDER SCREW:
 2212056, FLOAT MOUNT
 2212055, FIXED MOUNT
- △ RECOMMENDED PANEL CUTOUT FOR FRONT PANEL MOUNT APPLICATION.
 RECOMMENDED PANEL THICKNESS 1.5 TO 1.78.
- △ DATE CODE AND PART NUMBER IN APPROXIMATE AREA SHOWN.



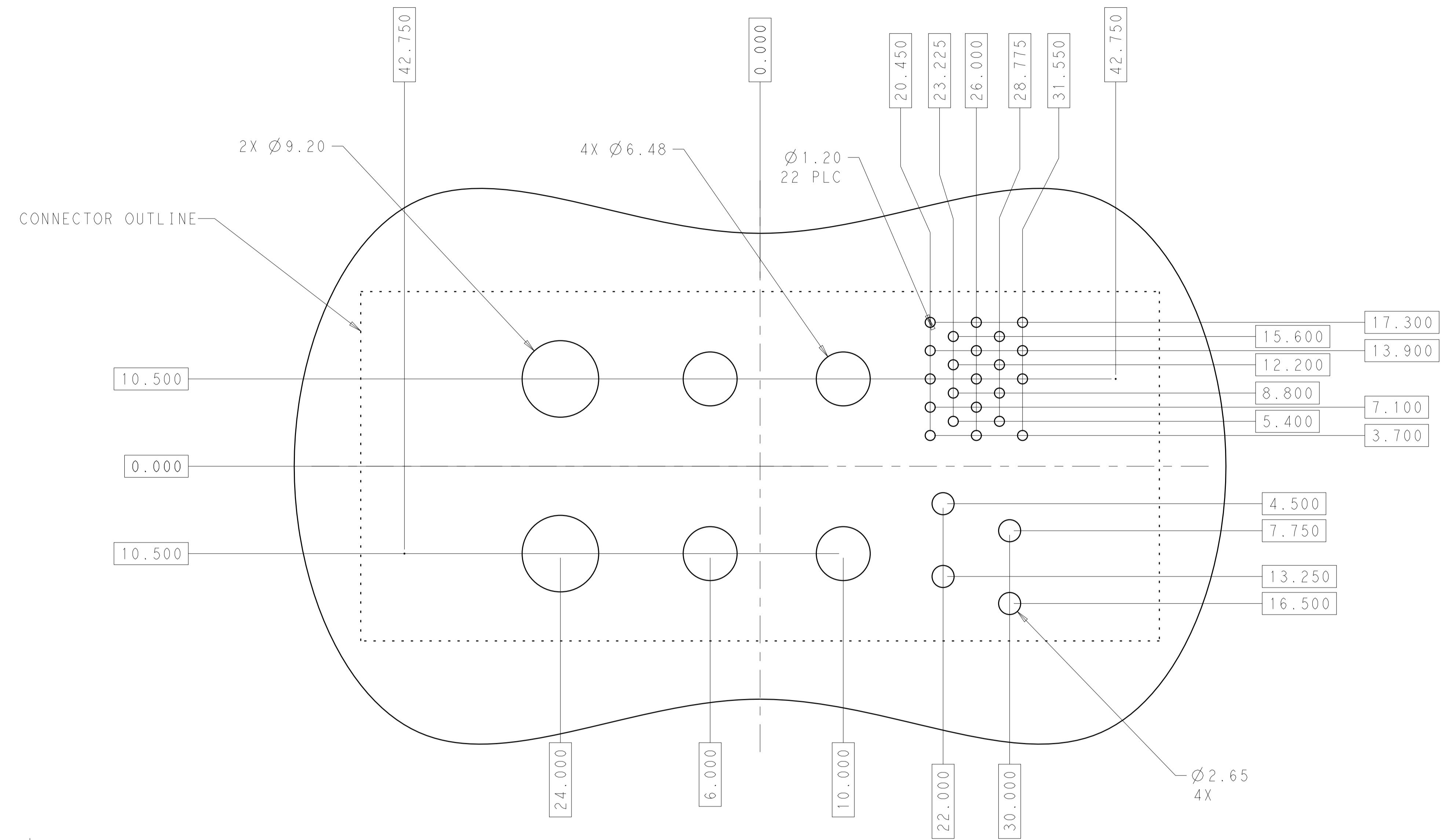
SCALE 1:1
 FULLY MATED ASSEMBLIES △

CONNECTOR, SOCKET, FORGE 2x#0, 4x#4, 0x#8, 1x#12, 1x#22,	2212327-1
DESCRIPTION	PART NO.

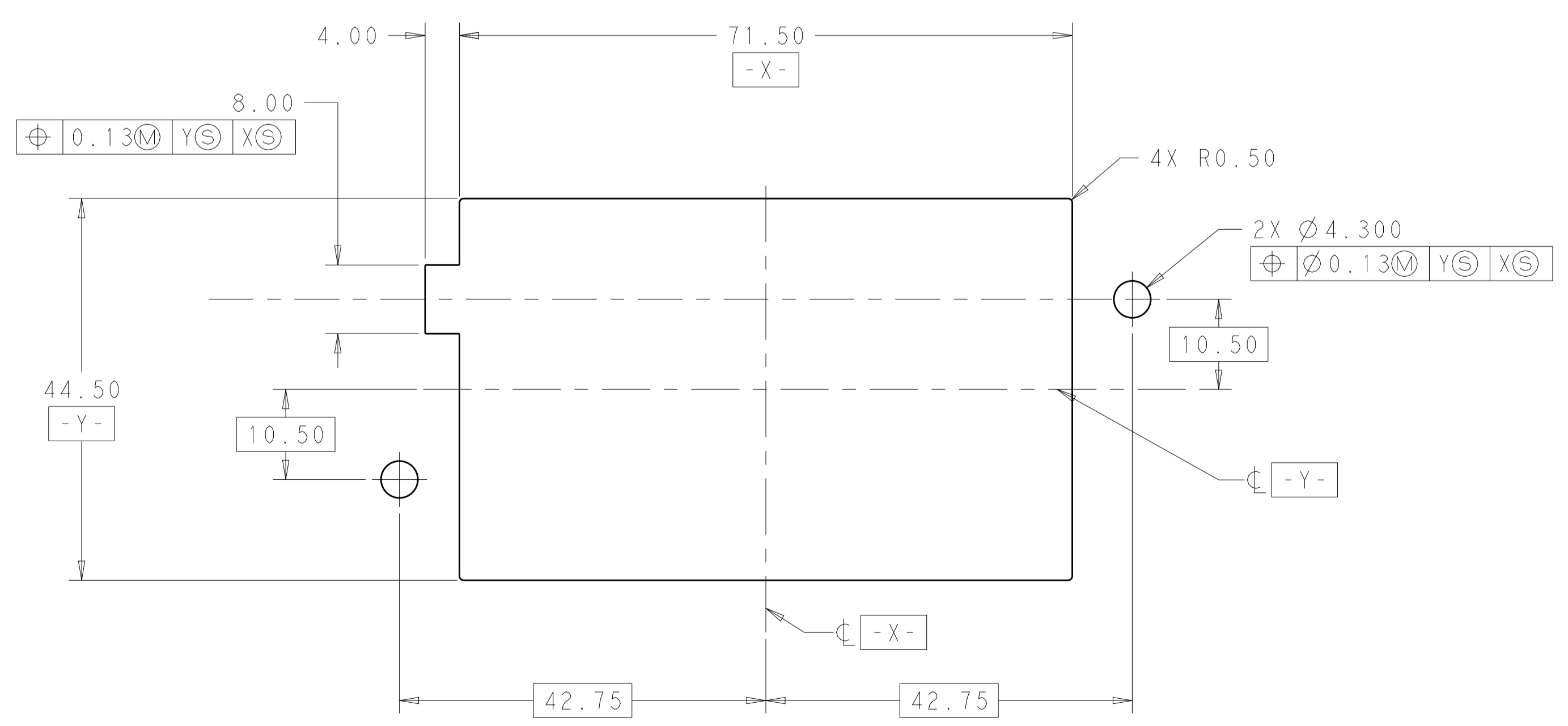
THIS PRINT IS
PRELIMINARY
 UNQUALIFIED PRODUCT
 CONTACT PRODUCT ENGINEERING
 BEFORE USING THIS PRINT

THIS DRAWING IS A CONTROLLED DOCUMENT.		OWN: R. IRENA 16JAN2015	TE Connectivity
DIMENSIONS: mm		CHK: E. WICKES 16JAN2015	
TOLERANCES UNLESS OTHERWISE SPECIFIED:		APV: S. STRICKLER 16JAN2015	NAME: CONNECTOR, SOCKET, FORGE 2x#0, 4x#4, 0x#8, 1x#12, 1x#22 CONFIGURATION
0 PLC ±N/A		PRODUCT SPEC: 108-2323	
1 PLC ±N/A		APPLICATION SPEC: 114-13299	SIZE: A1
2 PLC ±0.25		WEIGHT: -	CAGE CODE: 00779
3 PLC ±0.13		FINISH: -	DRAWING NO: 2212327
4 PLC ±N/A		Customer Drawing	SCALE: 2:1
ANGLES ±N/A			SHEET: 1 OF 2
FINISH: -			REV: 2

LOC	DIST	REV	DATE	BY	APPV
-	-	1	-	-	-
REVISIONS			DESCRIPTION	DATE	DWN
-	-	1	SEE SHEET 1	-	-



PCB LAYOUT
SCALE 3:1



RECOMMENDED PANEL CUTOUT
SCALE 2:1

THIS DRAWING IS A CONTROLLED DOCUMENT.		DWN R. IRENA 16JAN2015	 TE Connectivity
DIMENSIONS:		CHK E. WICKES 16JAN2015	
mm	TOLERANCES UNLESS OTHERWISE SPECIFIED:	APVD S. STRICKLER 16JAN2015	NAME CONNECTOR, SOCKET, FORGE
0 PLC ±N/A	1 PLC ±N/A	PRODUCT SPEC 108-2323	2x#0, 4x#4, 0x#8, 1x#12, 1x#22 CONFIGURATION
2 PLC ±0.25	3 PLC ±0.13	APPLICATION SPEC 114-13299	SIZE A100779
4 PLC ±N/A	ANGLES ±N/A	WEIGHT -	CAGE CODE C=2212327
MATERIAL -	FINISH -	Customer Drawing	RESTRICTED TO -
SCALE 2:1			SHEET 2 OF 2
REV 2			