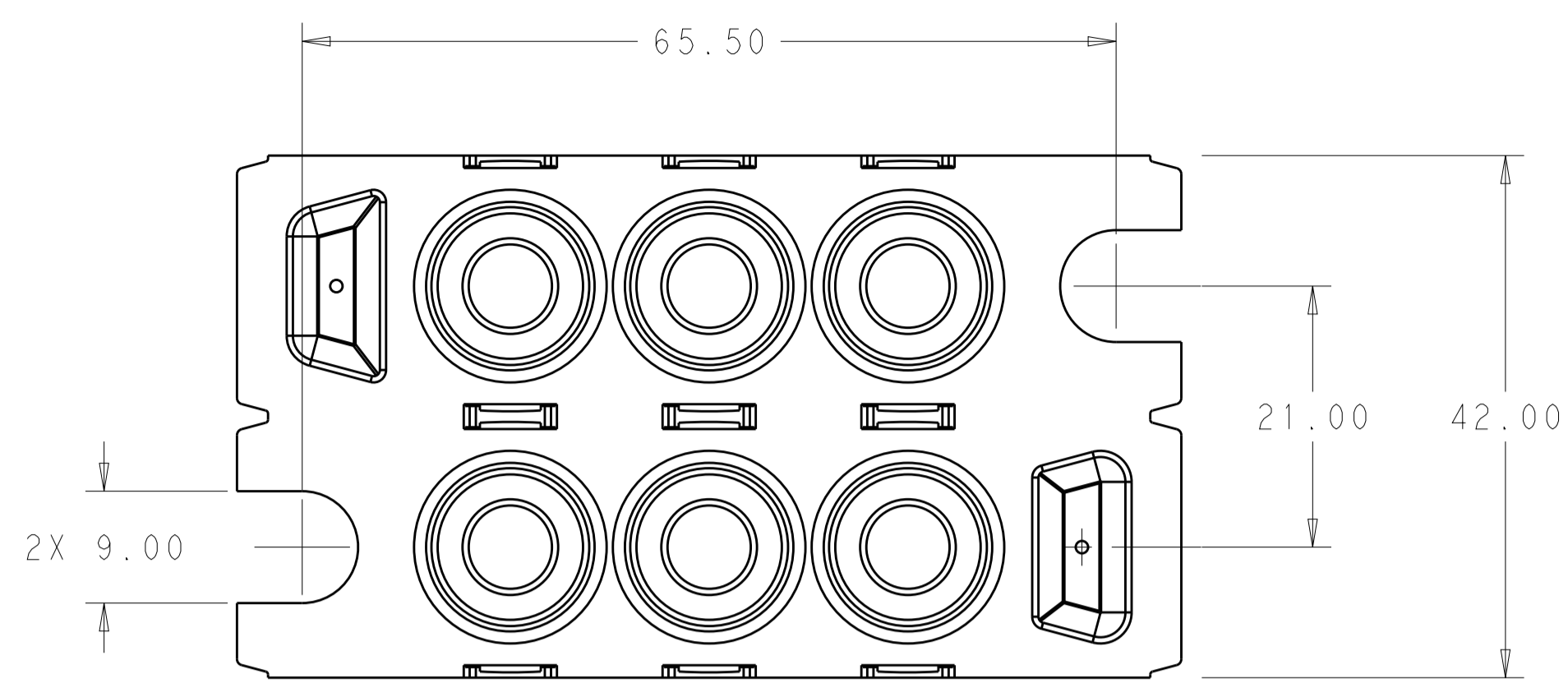
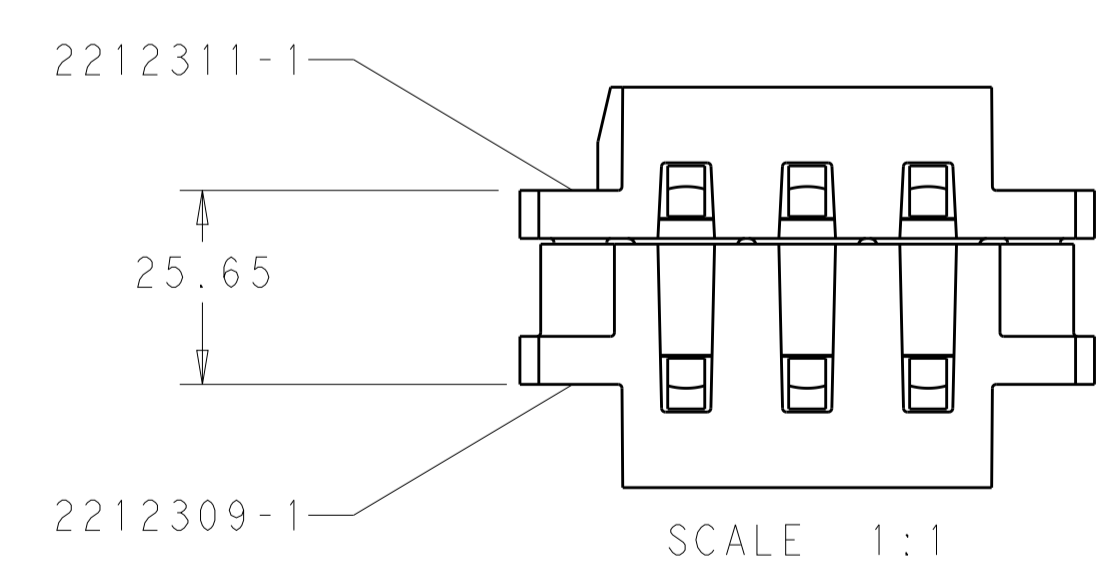
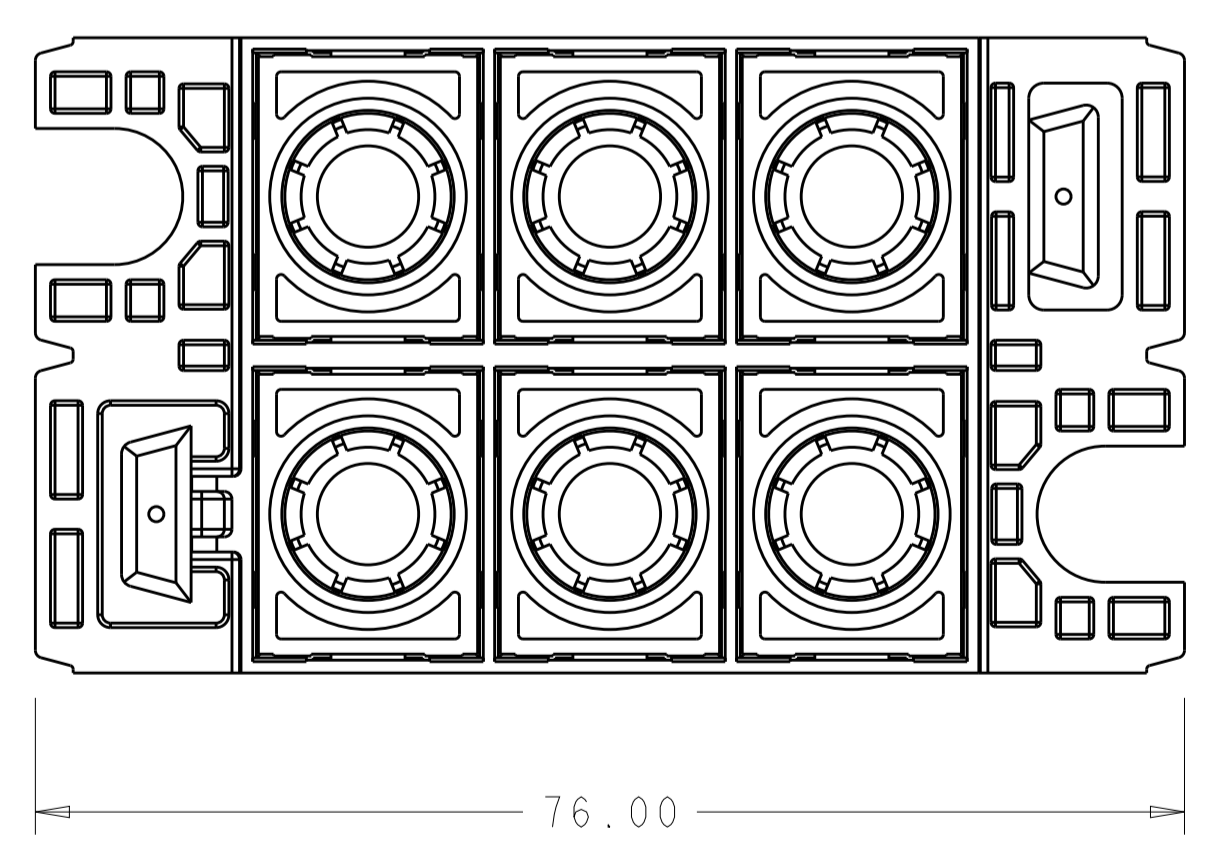
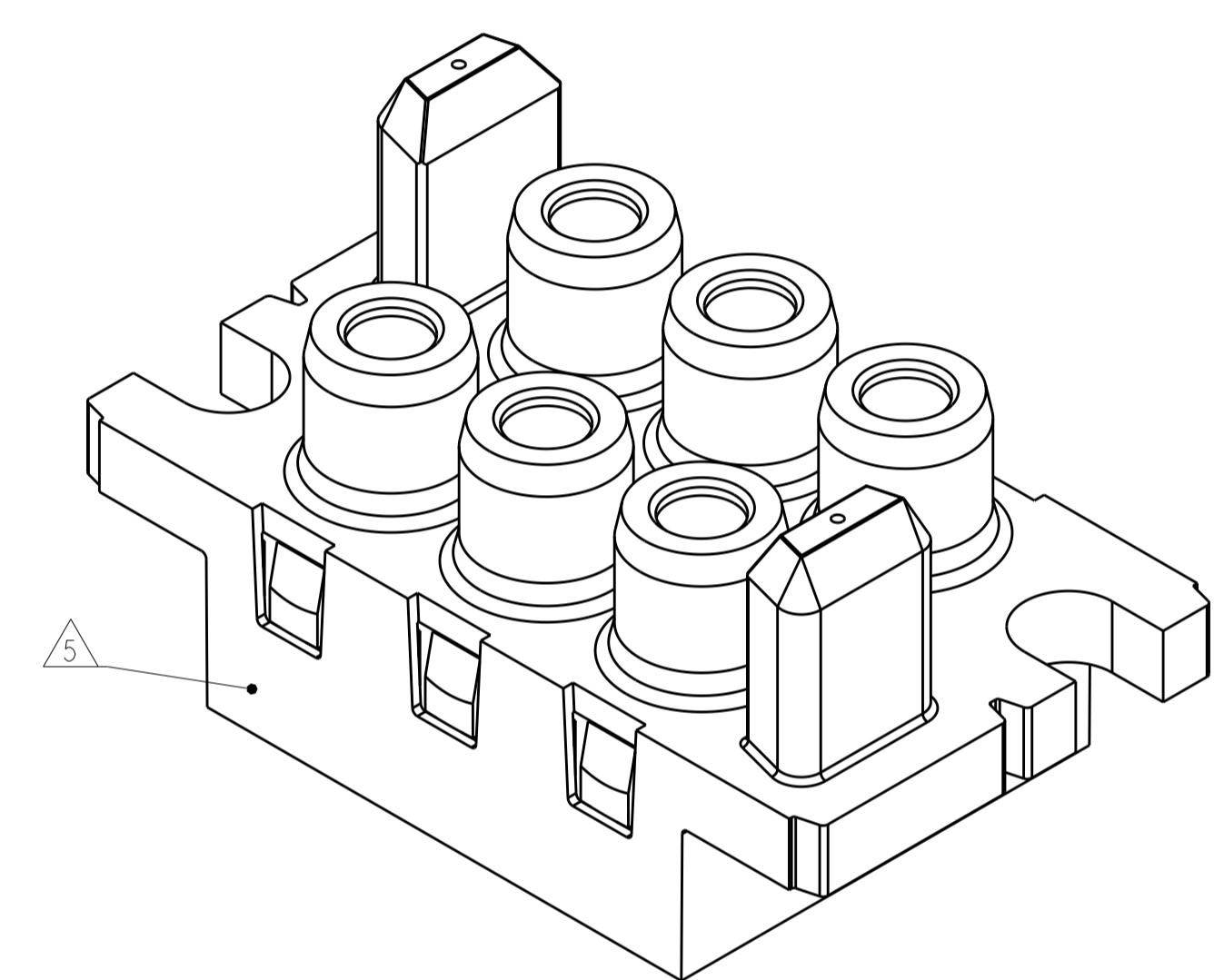
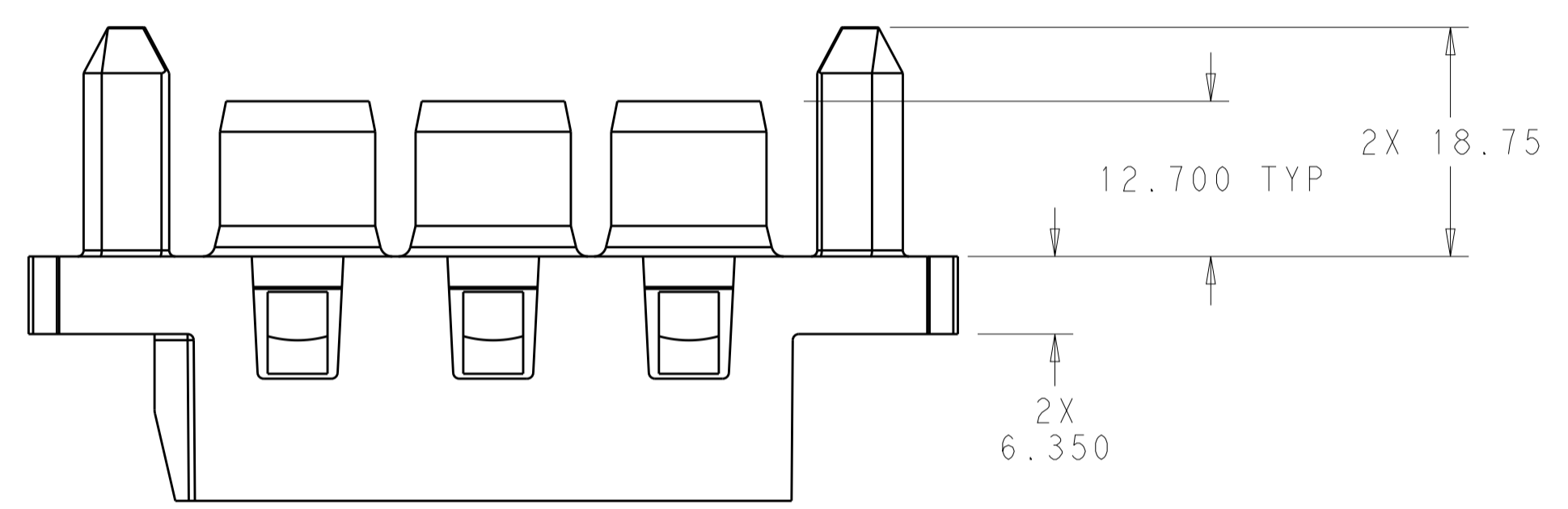
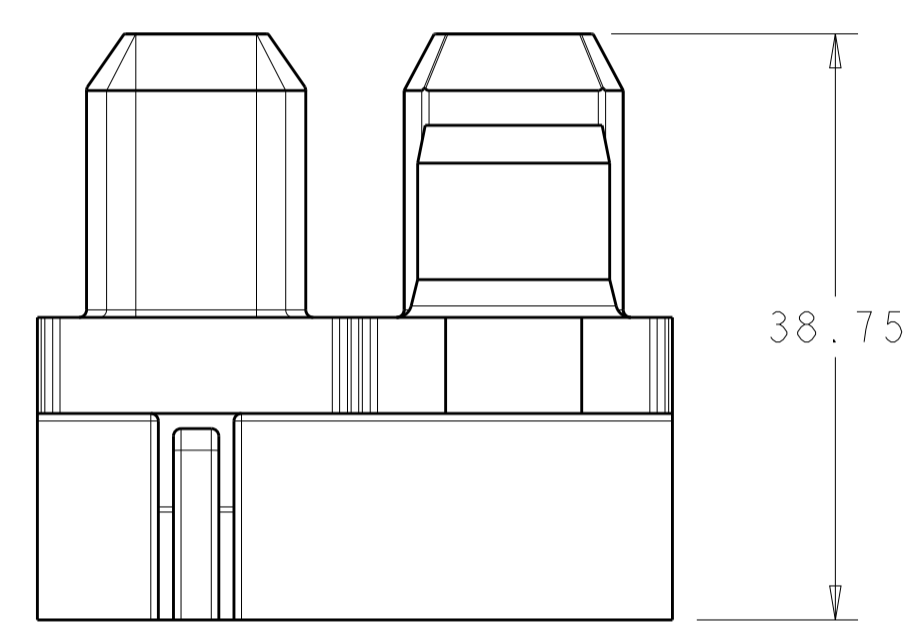


LOC		DIST		REVISIONS			
				REV	DATE	BY	APPV
		1		PROPOSED	18FEB2015	RT	EW



- △ HOUSING: THERMOPLASTIC, COLOR BLACK, FLAMMABILITY RATING UL 94 V-0.
- △ THIS ASSEMBLY TO MATE WITH TEC PART NUMBER 2212309-1.
- 3. RECOMMENDED SHOULDER SCREW:  
2212056, FLOAT MOUNT  
2212055, FIXED MOUNT
- △ RECOMMENDED PANEL CUTOUT FOR FRONT PANEL MOUNT APPLICATION.  
RECOMMENDED PANEL THICKNESS 1.5 TO 1.78.
- △ DATE CODE AND PART NUMBER IN APPROXIMATE AREA SHOWN.



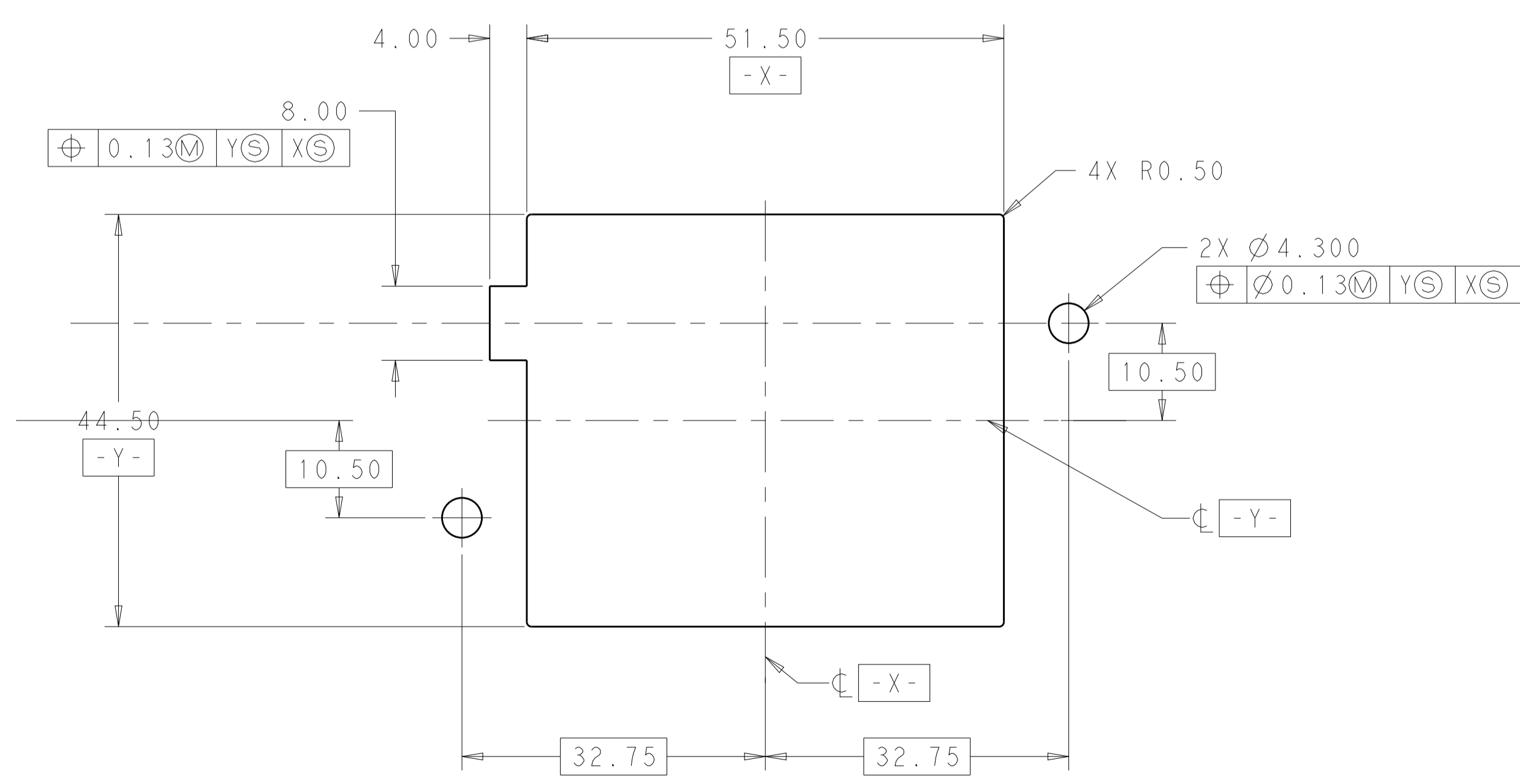
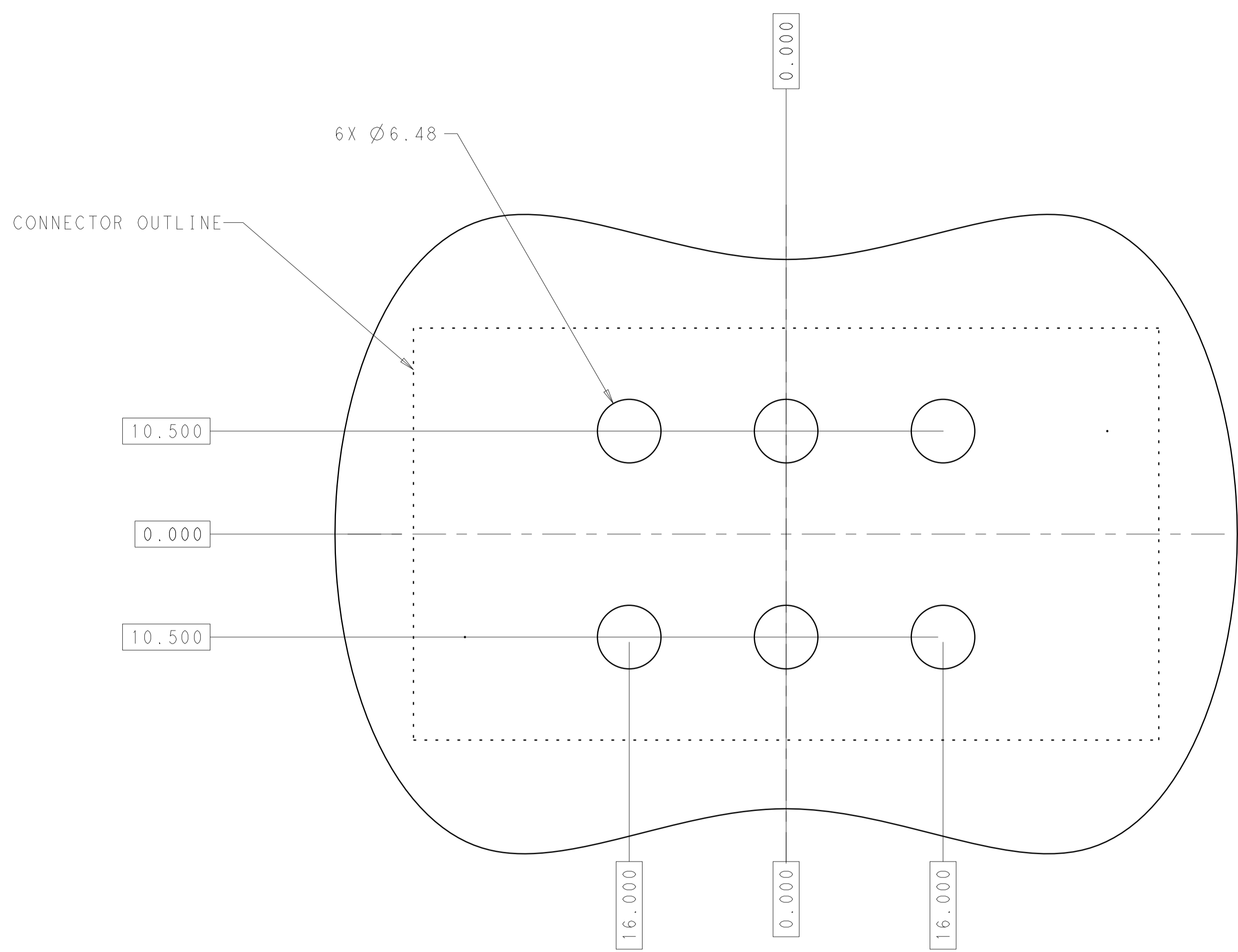
FULLY MATED ASSEMBLIES △

CONNECTOR, SOCKET, FORGE 0x#0,6x#4,0x#8,0x#12,0x#22,	2212311-1
DESCRIPTION	PART NO.

THIS PRINT IS  
**PRELIMINARY**  
 UNQUALIFIED PRODUCT  
 CONTACT PRODUCT ENGINEERING  
 BEFORE USING THIS PRINT

THIS DRAWING IS A CONTROLLED DOCUMENT.		OWN: R. TREA 18FEB2015	
DIMENSIONS: mm		CHK: E. WICKES 18FEB2015	
TOLERANCES UNLESS OTHERWISE SPECIFIED:		APPV: D. ORRIS 18FEB2015	
0 PLC ±N/A 1 PLC ±N/A 2 PLC ±0.25 3 PLC ±0.13 4 PLC ±N/A ANGLES ±N/A		NAME: CONNECTOR, SOCKET, FORGE 0x#0,6x#4,0x#8,0x#12,0x#22 CONFIGURATION PRODUCT SPEC: 108-2323 APPLICATION SPEC: 114-13299 WEIGHT: - FINISH: -	
MATERIAL: △	FINISH: -	SIZE: A1	CAGE CODE: 00779 DRAWING NO: 2212311 RESTRICTED TO: - Customer Drawing SCALE: 2:1 SHEET 1 OF 2 REV 1

LOC		DIST		REVISIONS			
P	LTN	DESCRIPTION	DATE	DMN	APVD		
-	-	SEE SHEET 1	-	-	-		



THIS DRAWING IS A CONTROLLED DOCUMENT.		DMN R. IREDA 18FEB2015	TE Connectivity
DIMENSIONS: mm		CHK E. WICKES 18FEB2015	
TOLERANCES UNLESS OTHERWISE SPECIFIED:		APVD D. ORRIS 18FEB2015	NAME CONNECTOR, SOCKET, FORGE 0x#0, 6x#4, 0x#8, 0x#12, 0x#22 CONFIGURATION
0 PLC ±N/A 1 PLC ±N/A 2 PLC ±0.25 3 PLC ±0.13 4 PLC ±N/A ANGLES ±N/A		PRODUCT SPEC 108-2323	SIZE A100779
MATERIAL		APPLICATION SPEC 114-13299	DRAWING NO C=2212311
FINISH		WEIGHT	RESTRICTED TO
		Customer Drawing	SCALE 2:1 SHEET 2 OF 2 REV 1