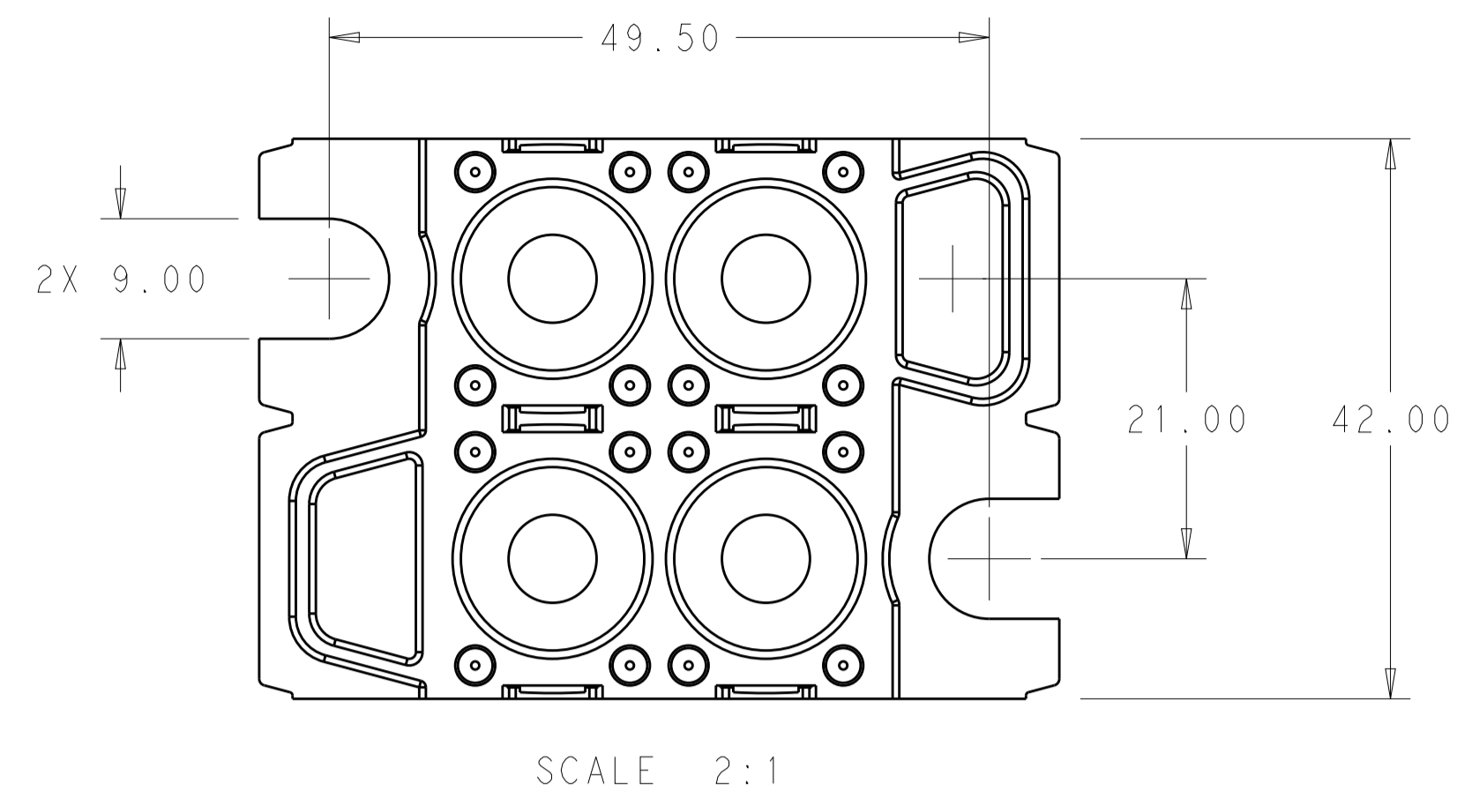
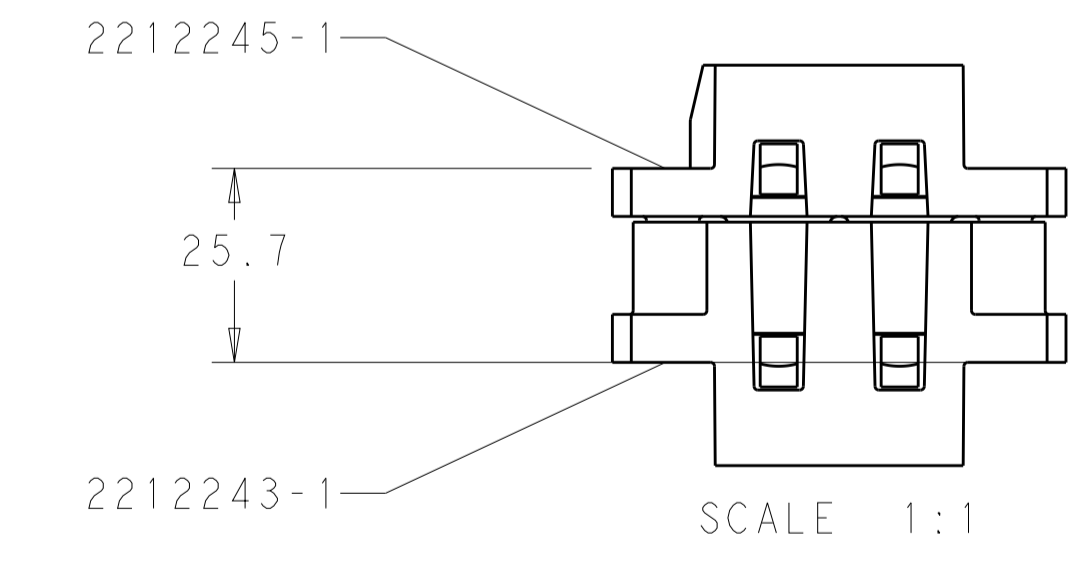
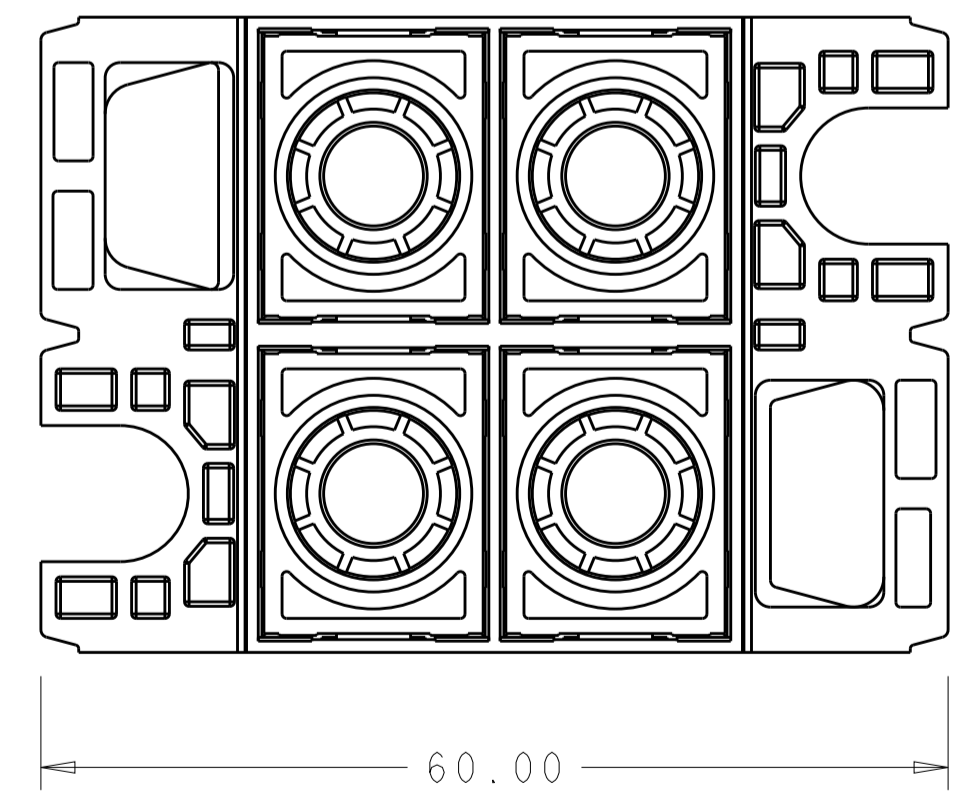
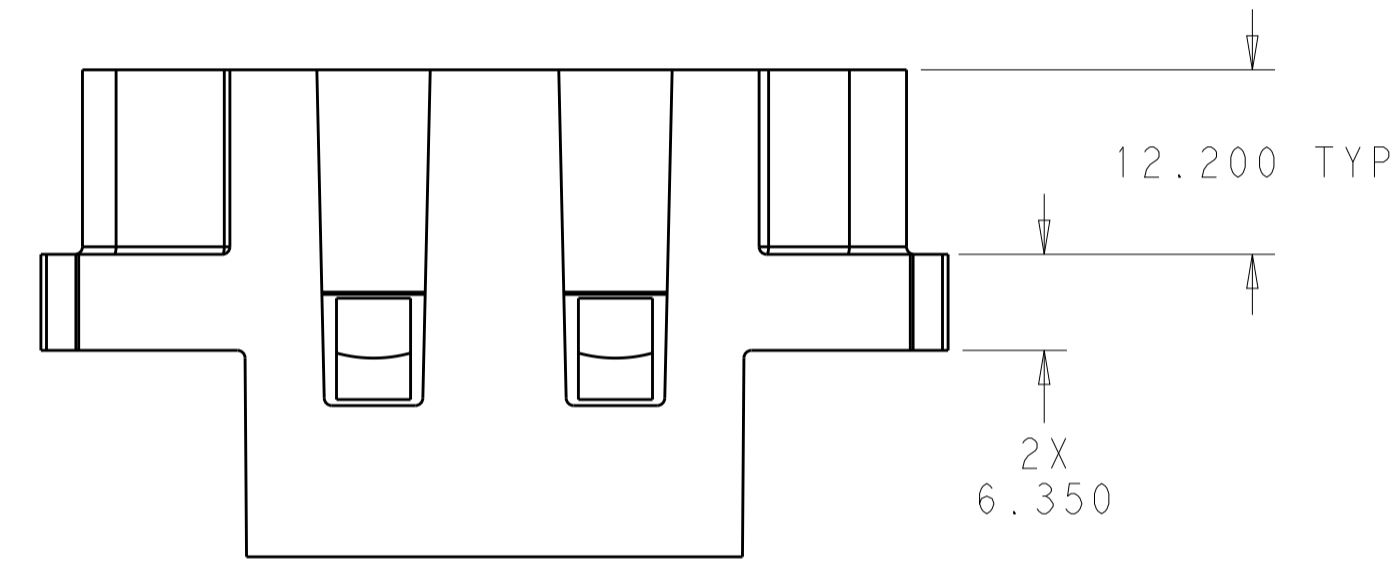
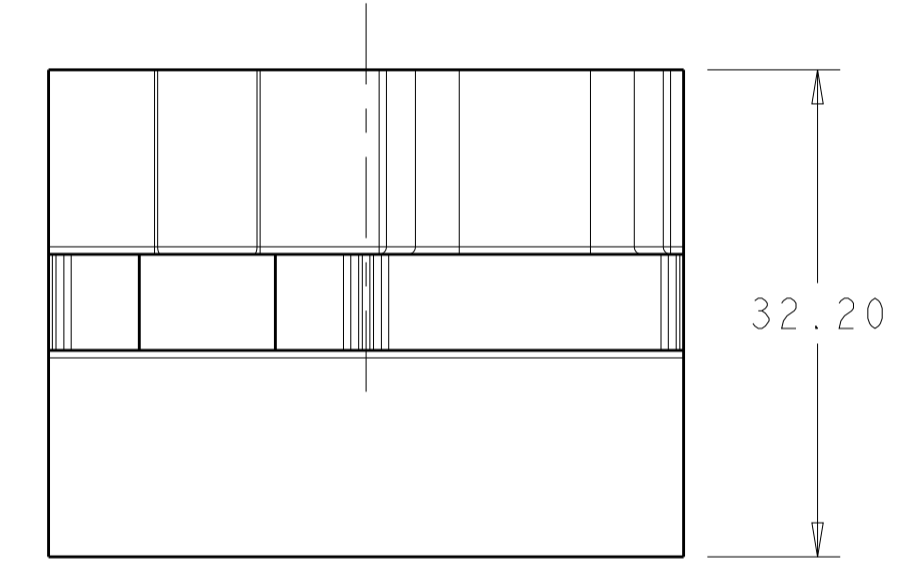
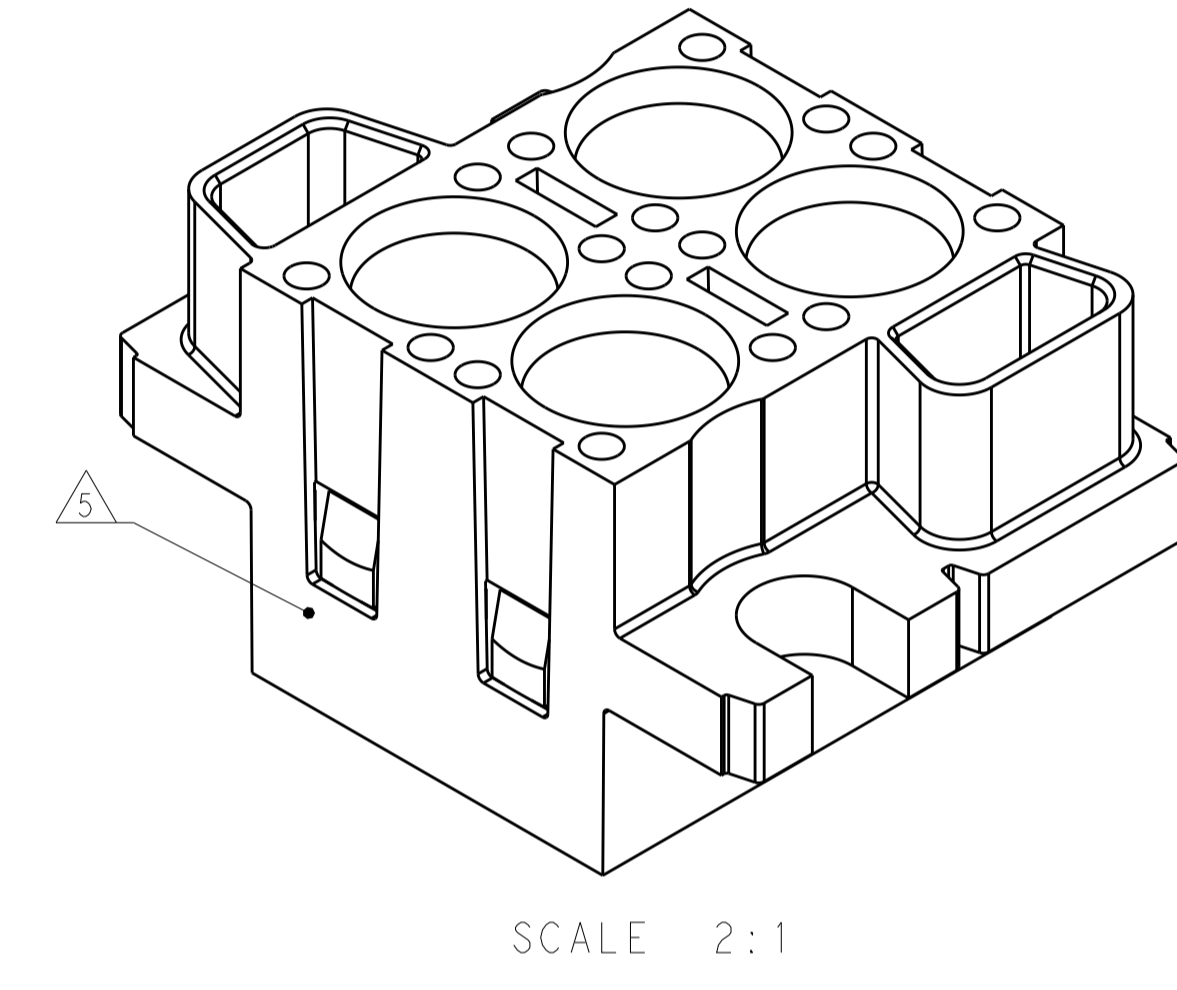


LOC		DIST		REVISIONS			
				REV	DATE	BY	APPV



- 1 HOUSING: THERMOPLASTIC, COLOR BLACK, FLAMMABILITY RATING UL 94 V-0.
- 2 THIS ASSEMBLY TO MATE WITH TEC PART NUMBER 2212245-1.
- 3. RECOMMENDED SHOULDER SCREW:
 2212056, FLOAT MOUNT
 2212055, FIXED MOUNT
- 4 RECOMMENDED PANEL CUTOUT FOR FRONT PANEL MOUNT APPLICATION.
 RECOMMENDED PANEL THICKNESS 1.5 TO 1.78.
- 5 DATE CODE AND PART NUMBER IN APPROXIMATE AREA SHOWN.



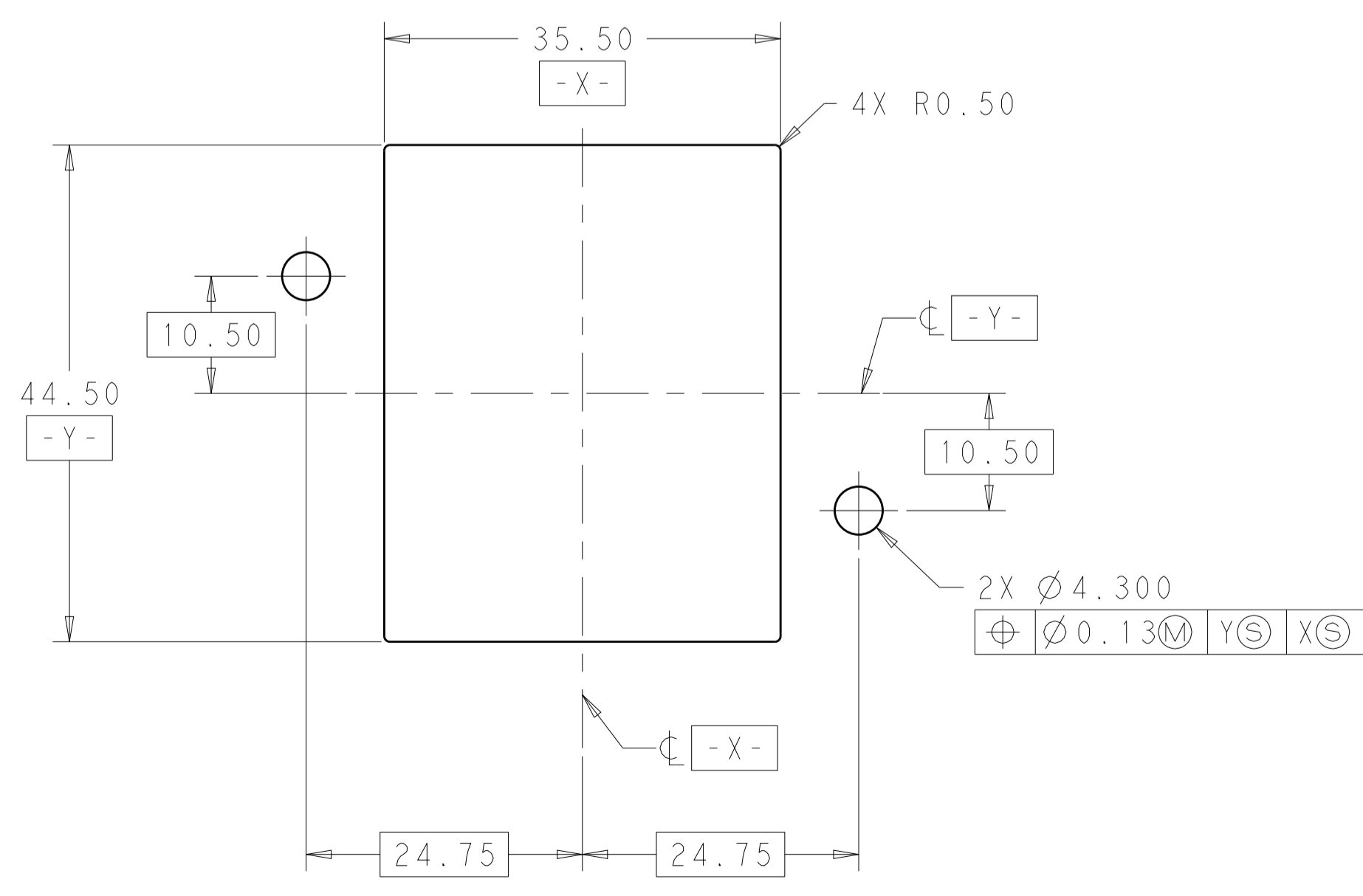
FULLY MATED ASSEMBLIES 2

CONNECTOR, PIN, FORGE 0x#0,4x#4,0x#8,0x#12,0x#22		2212243-1	
DESCRIPTION		PART NO.	
THIS DRAWING IS A CONTROLLED DOCUMENT.		DWN: R. IRENA 22JAN2015 CHK: E. WICKES 22JAN2015 APVD: S. STRICKLER 22JAN2015	
DIMENSIONS: mm TOLERANCES UNLESS OTHERWISE SPECIFIED: 0 PLC ±N/A 1 PLC ±N/A 2 PLC ±0.25 3 PLC ±0.13 4 PLC ±N/A ANGLES ±N/A FINISH:		NAME: S. STRICKLER PRODUCT SPEC: 108-2323 APPLICATION SPEC: 114-13299 WEIGHT: - RESTRICTED TO: -	
MATERIAL:		SIZE: A1 CAGE CODE: 00779 DRAWING NO: 2212243 SCALE: 1:1 SHEET 1 OF 2 REV 1	
Customer Drawing			

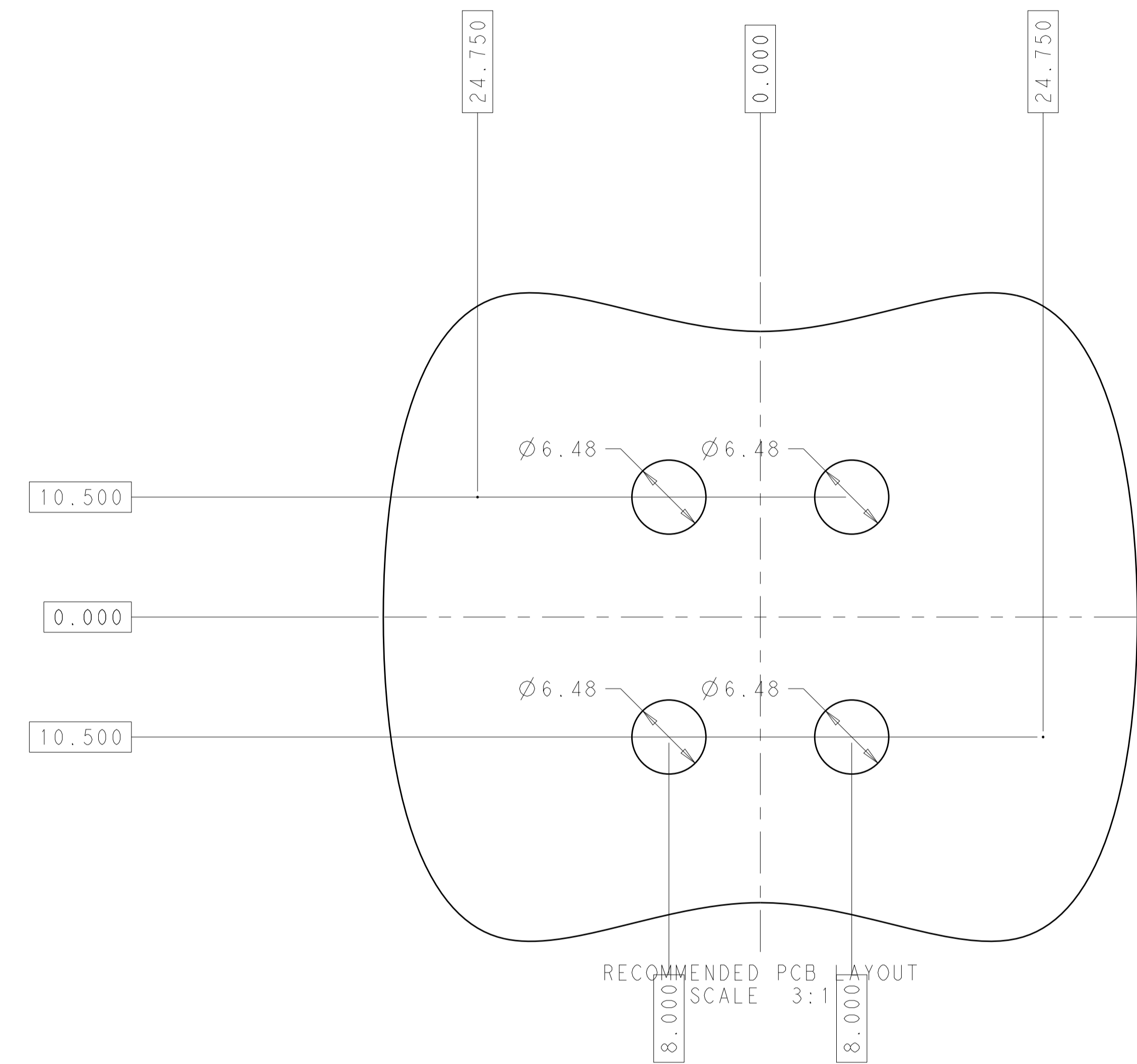
THIS PRINT IS
PRELIMINARY
 UNQUALIFIED PRODUCT
 CONTACT PRODUCT ENGINEERING
 BEFORE USING THIS PRINT

CONFIDENTIAL

LOC		DIST		REVISIONS			
P	LTN	DESCRIPTION	DATE	DWN	APVD		
-	-	SEE SHEET 1	-	-	-		



RECOMMENDED PANEL CUTOUT
 SCALE 2:1



THIS DRAWING IS A CONTROLLED DOCUMENT.		DWN	-	TE Connectivity	
DIMENSIONS:		CHK	-		
mm		APVD	-	NAME	
0 PLC \pm N/A 1 PLC \pm N/A 2 PLC \pm 0.25 3 PLC \pm 0.13 4 PLC \pm N/A ANGLES \pm 1°		PRODUCT SPEC 108-2323 APPLICATION SPEC 114-13299		CONNECTOR, PIN, FORGE 0x#0, 4x#4, 0x#8, 0x#12, 0x#22 CONFIGURATION	
MATERIAL		WEIGHT		SIZE	RESTRICTED TO
FINISH		Customer Drawing		A100779C=2212243	-
		SCALE 1:1		SHEET 2 OF 2	REV 1