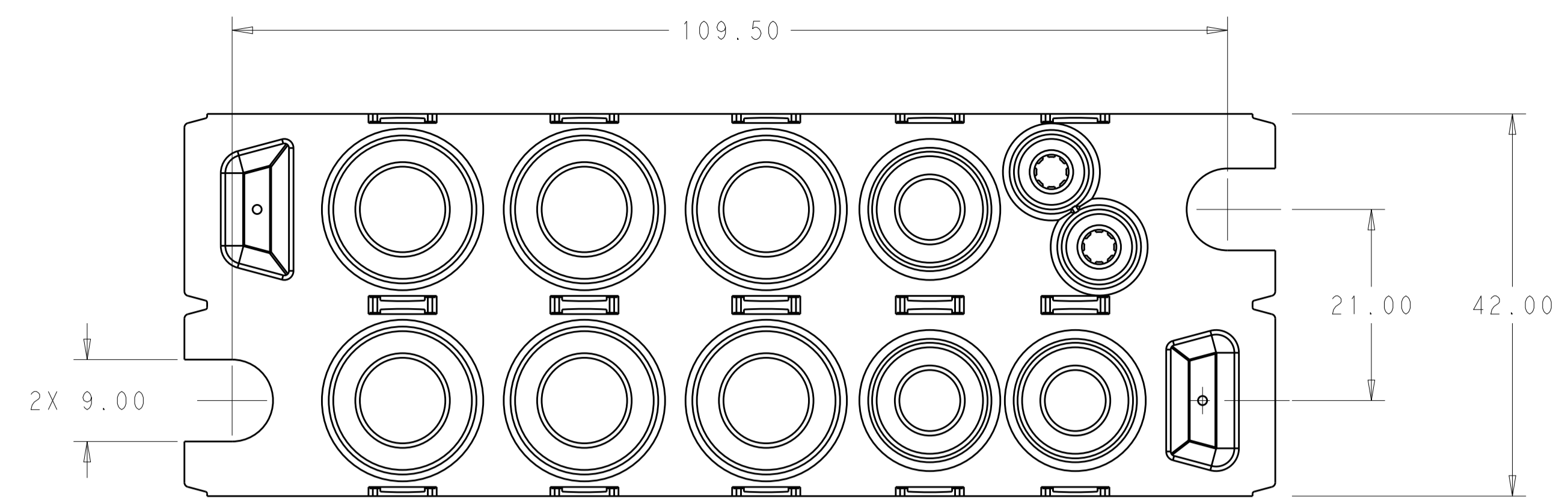
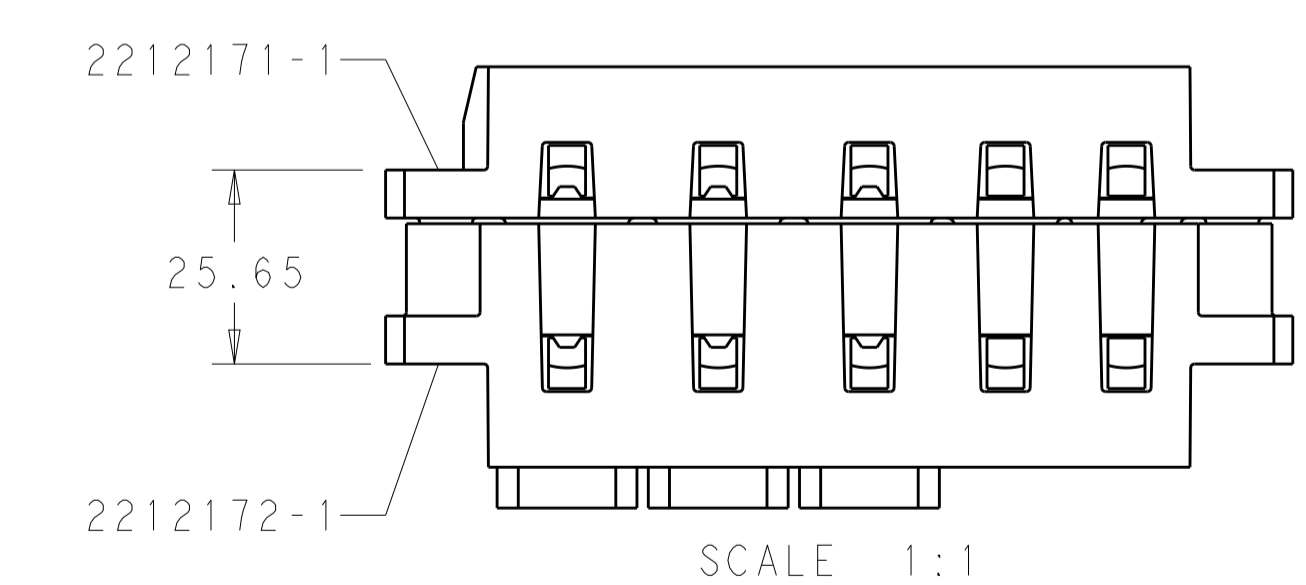
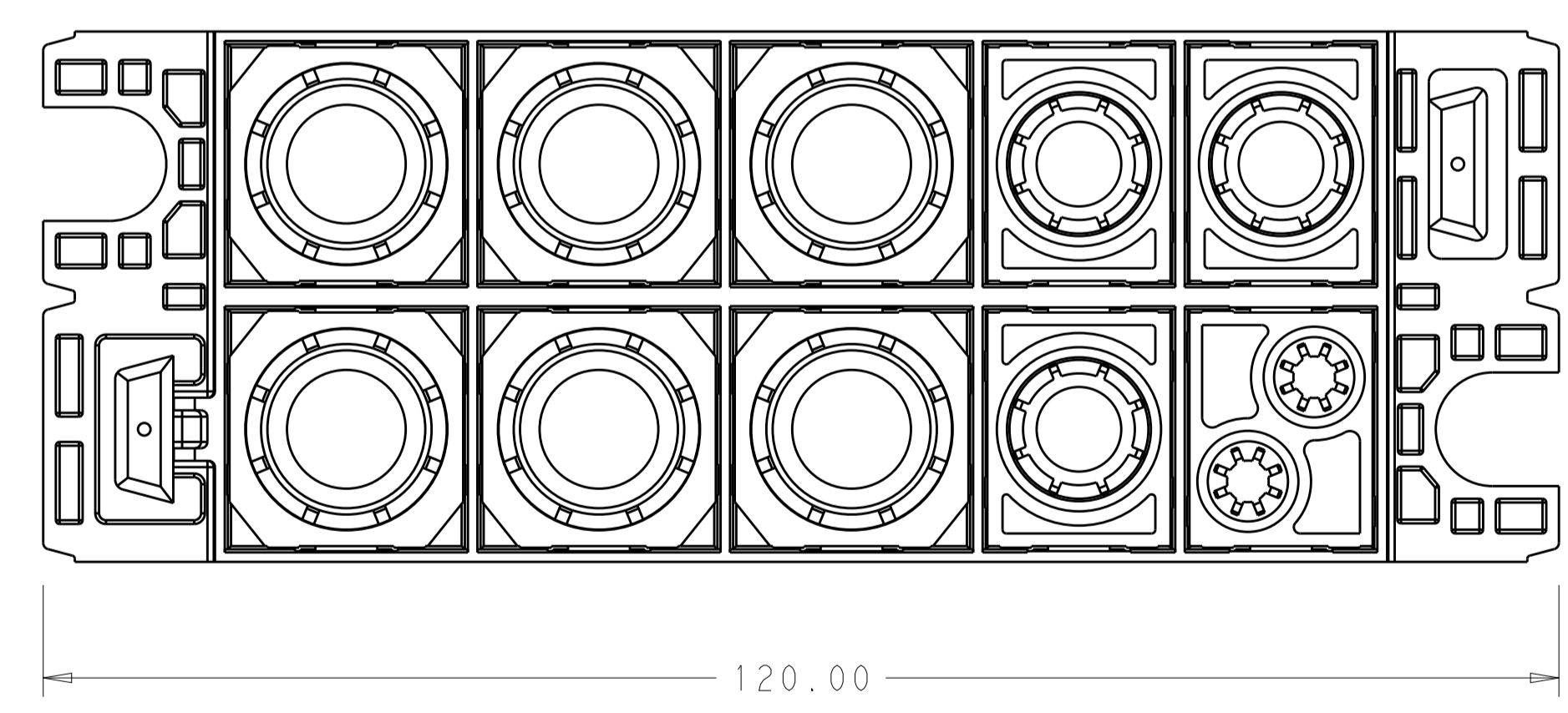
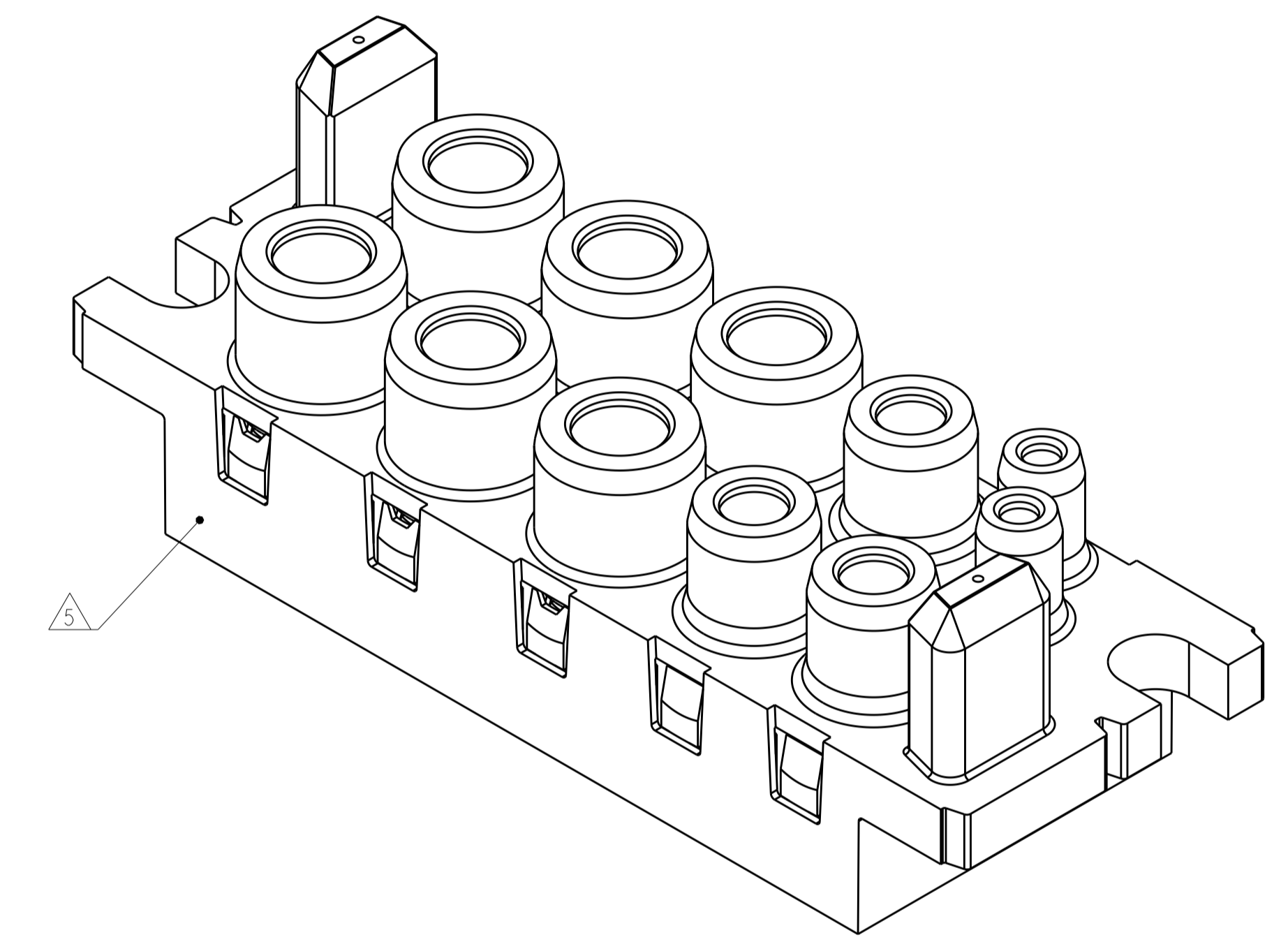
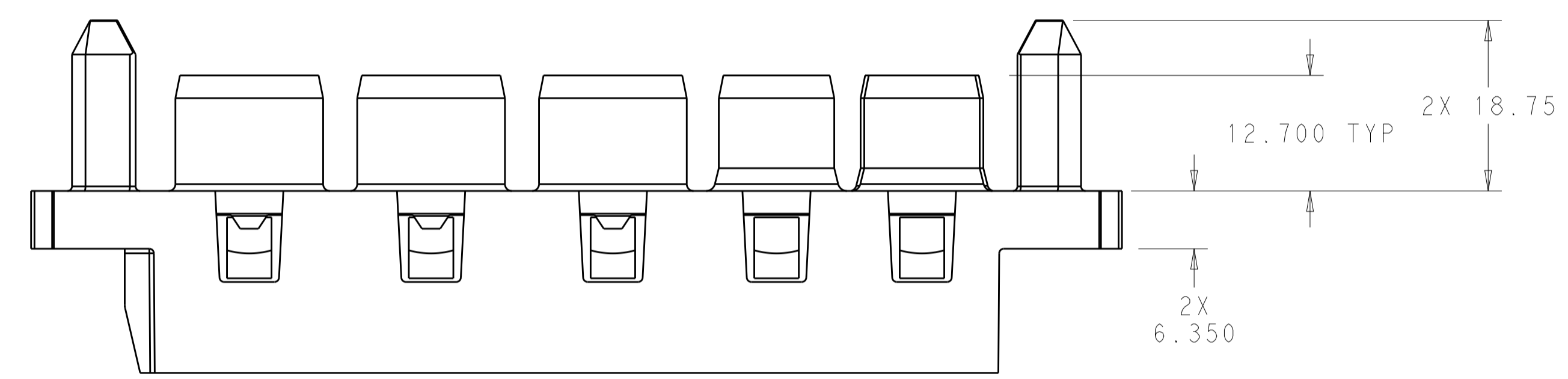
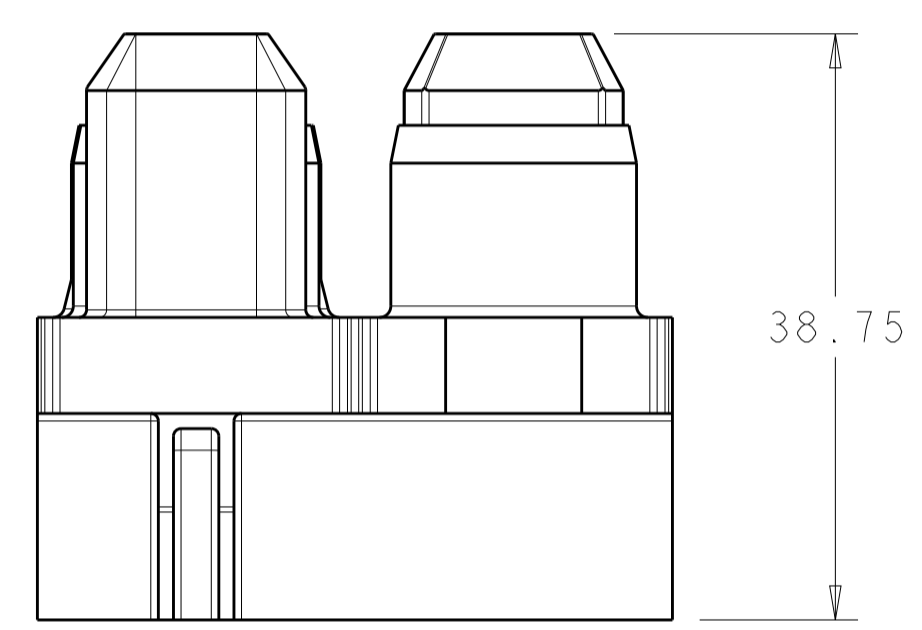


LOC	DIST	REV	DATE	BY	CHK	APPV
-	-	2	11FEB2015	RT	EW	



- △ HOUSING: THERMOPLASTIC, COLOR BLACK, FLAMMABILITY RATING UL 94 V-0.
- △ THIS ASSEMBLY TO MATE WITH TEC PART NUMBER 2212172-1.
- 3. RECOMMENDED SHOULDER SCREW:
2212056, FLOAT MOUNT
2212055, FIXED MOUNT
- △ RECOMMENDED PANEL CUTOUT FOR FRONT PANEL MOUNT APPLICATION.
RECOMMENDED PANEL THICKNESS 1.5 TO 1.78.
- △ DATE CODE AND PART NUMBER IN APPROXIMATE AREA SHOWN.



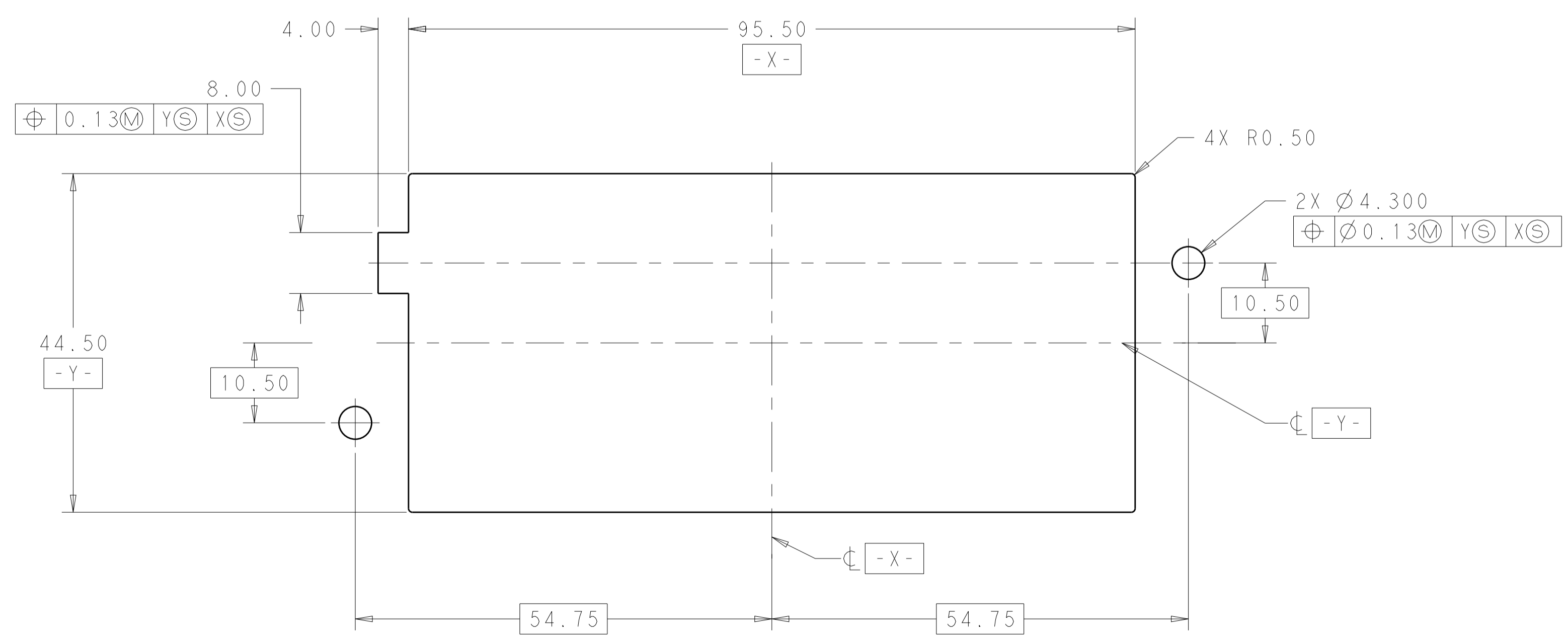
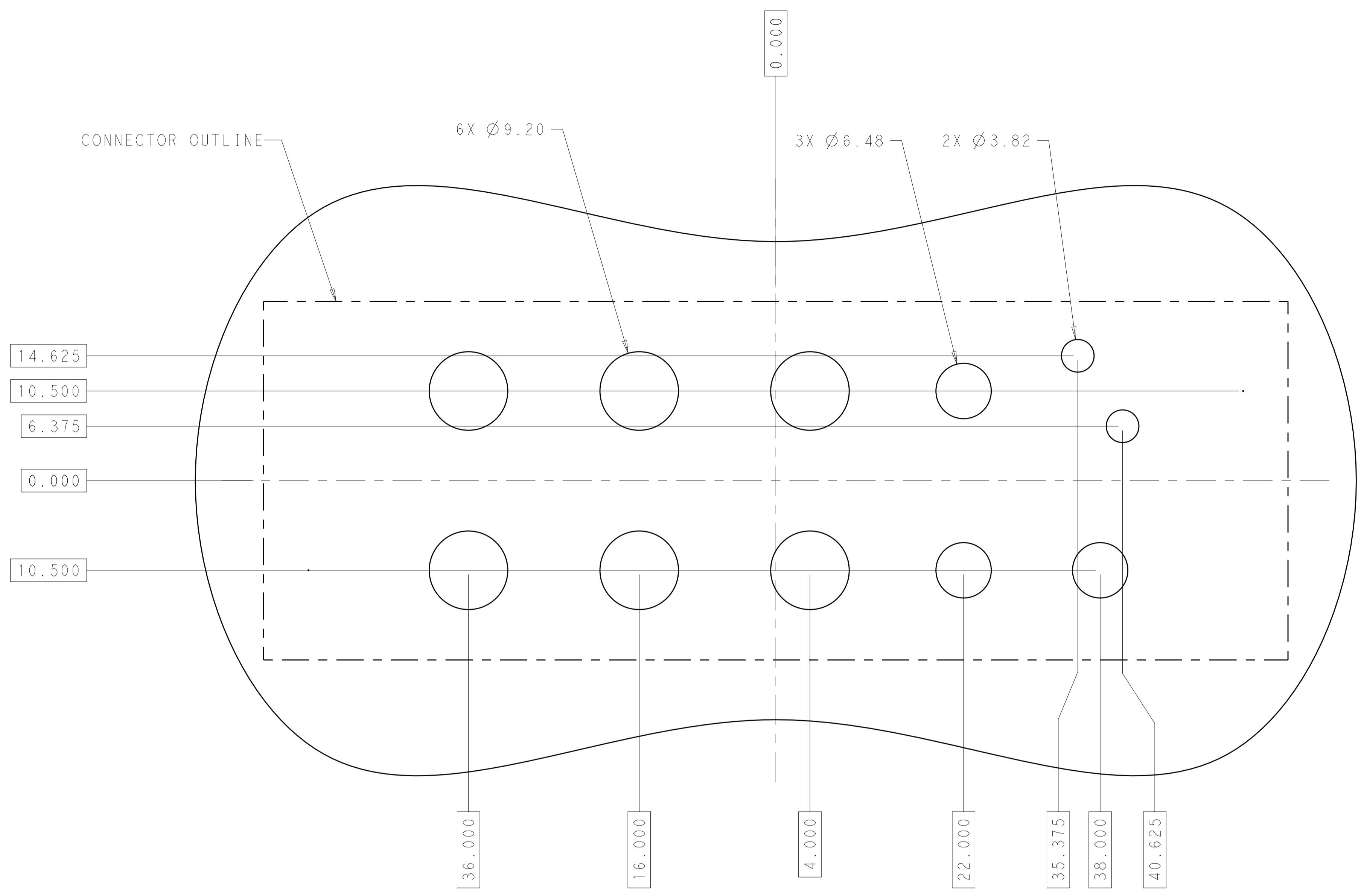
SCALE 1:1
 FULLY MATED ASSEMBLIES △

CONNECTOR, SOCKET, FORGE 6x#0,3x#4,1x#8,0x#12,0x#22,	2212171-1
DESCRIPTION	PART NO.

THIS PRINT IS
PRELIMINARY
 UNQUALIFIED PRODUCT
 CONTACT PRODUCT ENGINEERING
 BEFORE USING THIS PRINT

THIS DRAWING IS A CONTROLLED DOCUMENT.		OWN: R. TIRA 20JAN2015	TE Connectivity
DIMENSIONS: mm		CHK: E. WICKES 20JAN2015	
TOLERANCES UNLESS OTHERWISE SPECIFIED:		APPV: S. STRICKLER 20JAN2015	NAME: CONNECTOR, SOCKET, FORGE 06x#0,3x#4,1x#8,0x#12,0x#22 CONFIGURATION
0 PLC ±N/A		PRODUCT SPEC: 108-2323	
1 PLC ±N/A		APPLICATION SPEC: 114-13299	SIZE: A1
2 PLC ±0.25		WEIGHT: -	CAGE CODE: 100779
3 PLC ±0.13		Customer Drawing	DRAWING NO: 2212171
4 PLC ±N/A		SCALE: 2:1	SHEET 1 OF 2
ANGLES ±N/A		REV: 2	
FINISH: *			

LOC		DIST		REVISIONS			
				REV	DATE	BY	APPV
-	-	-	-	-	-	-	-
-	-	-	-	-	SEE SHEET 1	-	-



PCB LAYOUT
SCALE 3:1

RECOMMENDED PANEL CUTOUT
SCALE 2:1

THIS DRAWING IS A CONTROLLED DOCUMENT.		OWN R. IREA	20JAN2015		TE Connectivity
DIMENSIONS: mm		CHK E. WICKES	20JAN2015		
TOLERANCES UNLESS OTHERWISE SPECIFIED:		APV S. STRICKLER	20JAN2015	NAME CONNECTOR, SOCKET, FORGE	
0 PLC ±N/A		PRODUCT SPEC		06x#0, 3x#4, 1x#8, 0x#12, 0x#22	
1 PLC ±N/A		108-2323		CONFIGURATION	
2 PLC ±0.25		APPLICATION SPEC		SIZE	
3 PLC ±0.13		114-13299		CAGE CODE DRAWING NO	
4 PLC ±N/A		WEIGHT		A100779C=2212171	
ANGLES		Customer Drawing		RESTRICTED TO	
FINISH		SCALE 2:1		SHEET 2 OF 2	
		REV 2			