

THIS DRAWING IS UNPUBLISHED.

RELEASED FOR PUBLICATION

2013

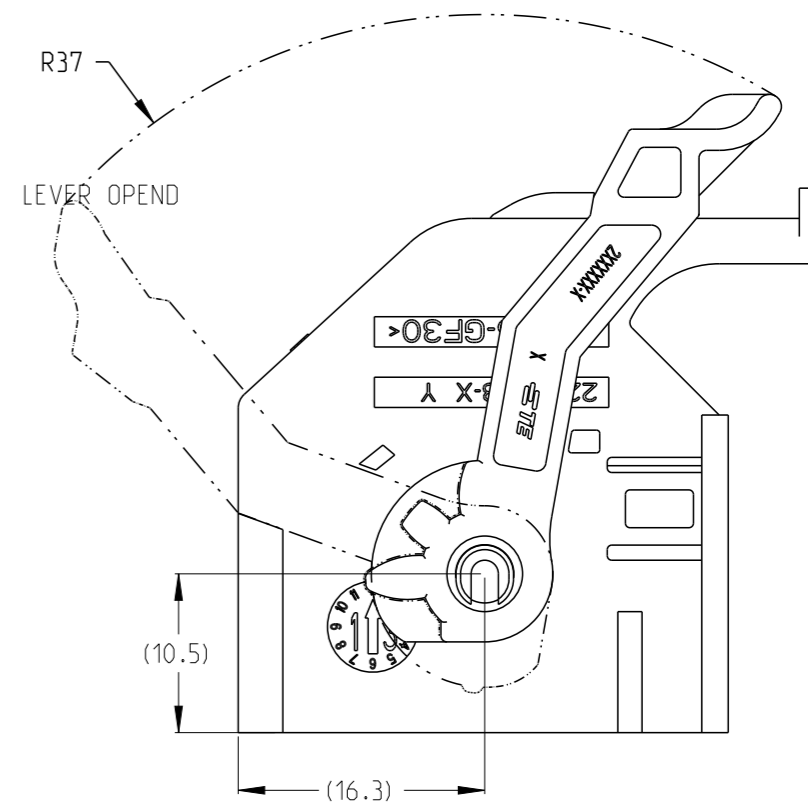
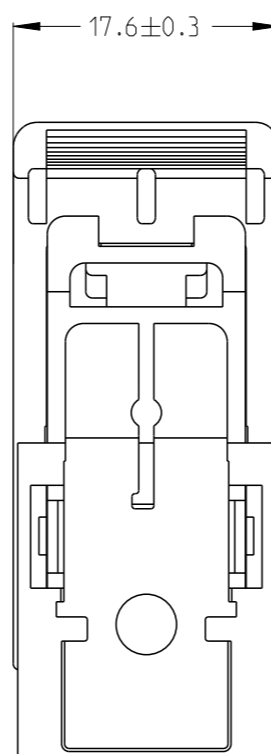
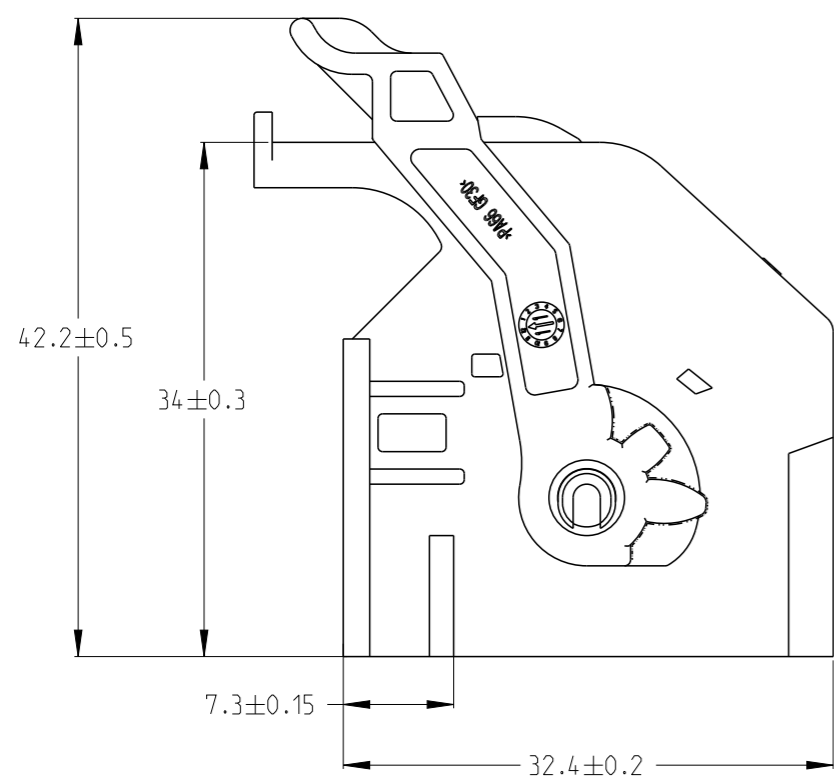
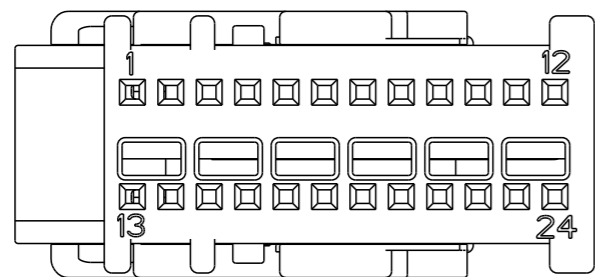
© COPYRIGHT 2013 BY TE CONNECTIVITY

ALL RIGHTS RESERVED.

REVISIONS

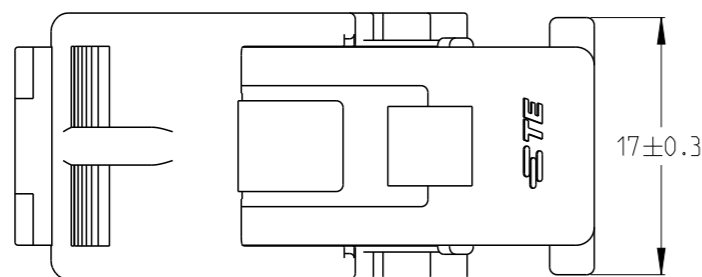
P	LTR	DESCRIPTION	DATE	DWN	APVD
	A	RELEASED	23OCT2013	W.Z	I.Y
	B	REVISED (ECO-14-007026)	09MAR2015	W.Z	I.Y
	B1	ECR-19-009441	17JUN2019	J.L	I.Y

2209954-1 AS SHOWN



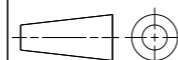
NOTES:

1. THE PRODUCT IS SUPPLIED WITH LEVER IN CLOSED POSITION.



THIS DRAWING IS A CONTROLLED DOCUMENT.

DIMENSIONS:  
mm



MATERIAL  
SEE TABLE

TOLERANCES UNLESS OTHERWISE SPECIFIED:

- 0 PLC ±
- 1 PLC ±
- 2 PLC ±
- 3 PLC ±
- 4 PLC ±
- ANGLES ±

FINISH  
SEE TABLE

DWN W.ZHU 24SEP2013

CHK E.JIANG 22OCT2013

APVD I.YIN 23OCT2013

PRODUCT SPEC

APPLICATION SPEC

WEIGHT -

Customer Drawing



NAME  
24P AIRBAG COVER ASSY

SIZE CAGE CODE DRAWING NO

A3 00779 C-2209954

RESTRICTED TO

SCALE 1:1 SHEET 1 OF 2 REV B1

THIS DRAWING IS UNPUBLISHED.

RELEASED FOR PUBLICATION

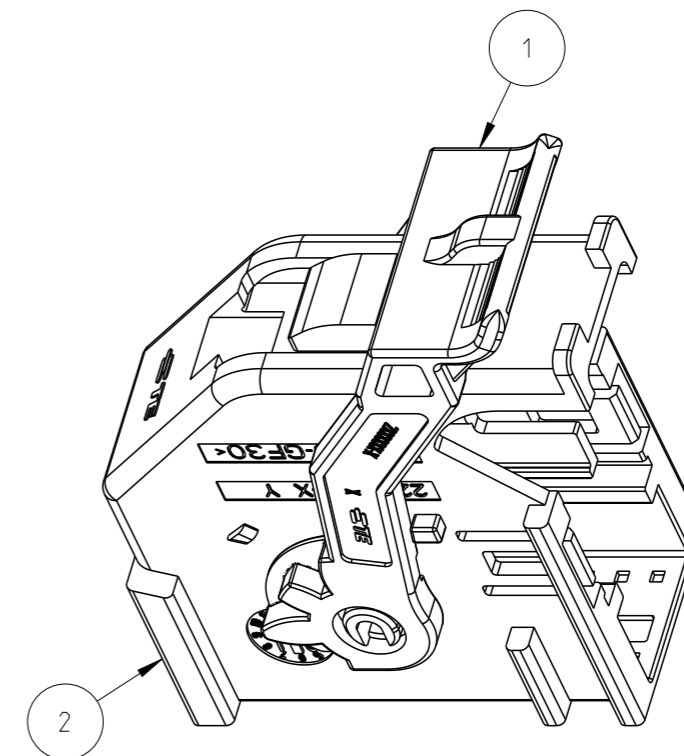
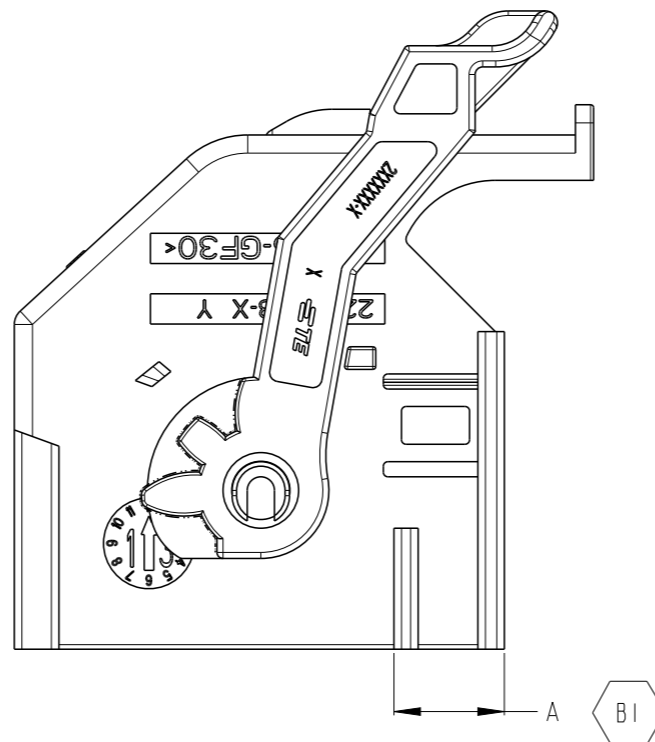
2013

© COPYRIGHT 2013 BY TE CONNECTIVITY

ALL RIGHTS RESERVED.

REVISIONS

P	LTR	DESCRIPTION	DATE	DWN	APVD
-		SEE SHEET 1	-	-	-



COVER ASSY PART NO.	ITEM NO.	PART NO.	MATERIAL	DESCRIPTION	QUANTITY REQUIRED FOR ASSEMBLY	MATING RECEPTACLE PART NO.	CODING	DIM "A"																																						
2209954-4	2	2209953-4	PA66-GF30, BLUE	COVER	1	284224-6; 2357668-6	D	6.1																																						
	1	2209952-1	PA66-GF30, GREEN	LEVER	1				2209954-3	2	2209953-3	PA66-GF30, BROWN	COVER	1	284224-5; 2357668-5	C	8.7	1	2209952-1	PA66-GF30, GREEN	LEVER	1	2209954-2	2	2209953-2	PA66-GF30, GRAY	COVER	1	284224-1; 2357668-1	B	5.0	1	2209952-1	PA66-GF30, GREEN	LEVER	1	2209954-1	2	2209953-1	PA66-GF30, BLACK	COVER	1	284224-2; 2357668-2	A	7.3	1
2209954-3	2	2209953-3	PA66-GF30, BROWN	COVER	1	284224-5; 2357668-5	C	8.7																																						
	1	2209952-1	PA66-GF30, GREEN	LEVER	1				2209954-2	2	2209953-2	PA66-GF30, GRAY	COVER	1	284224-1; 2357668-1	B	5.0	1	2209952-1	PA66-GF30, GREEN	LEVER	1	2209954-1	2	2209953-1	PA66-GF30, BLACK	COVER	1	284224-2; 2357668-2	A	7.3	1	2209952-1	PA66-GF30, GREEN	LEVER	1										
2209954-2	2	2209953-2	PA66-GF30, GRAY	COVER	1	284224-1; 2357668-1	B	5.0																																						
	1	2209952-1	PA66-GF30, GREEN	LEVER	1				2209954-1	2	2209953-1	PA66-GF30, BLACK	COVER	1	284224-2; 2357668-2	A	7.3	1	2209952-1	PA66-GF30, GREEN	LEVER	1																								
2209954-1	2	2209953-1	PA66-GF30, BLACK	COVER	1	284224-2; 2357668-2	A	7.3																																						
	1	2209952-1	PA66-GF30, GREEN	LEVER	1																																									

PART LIST

THIS DRAWING IS A CONTROLLED DOCUMENT.

DWN W.ZHU 24SEP2013

CHK E.JIANG 22OCT2013

APVD J.YIN 23OCT2013

PRODUCT SPEC -

APPLICATION SPEC -

WEIGHT -

Customer Drawing

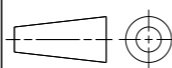


NAME 24P AIRBAG COVER ASSY

SIZE A3 CAGE CODE 00779 DRAWING NO. C-2209954 RESTRICTED TO

SCALE 1:1 SHEET 2 OF 2 REV B1

DIMENSIONS: mm



TOLERANCES UNLESS OTHERWISE SPECIFIED:

- 0 PLC ±
- 1 PLC ±
- 2 PLC ±
- 3 PLC ±
- 4 PLC ±
- ANGLES ±
- FINISH SEE TABLE

MATERIAL SEE TABLE

FINISH SEE TABLE