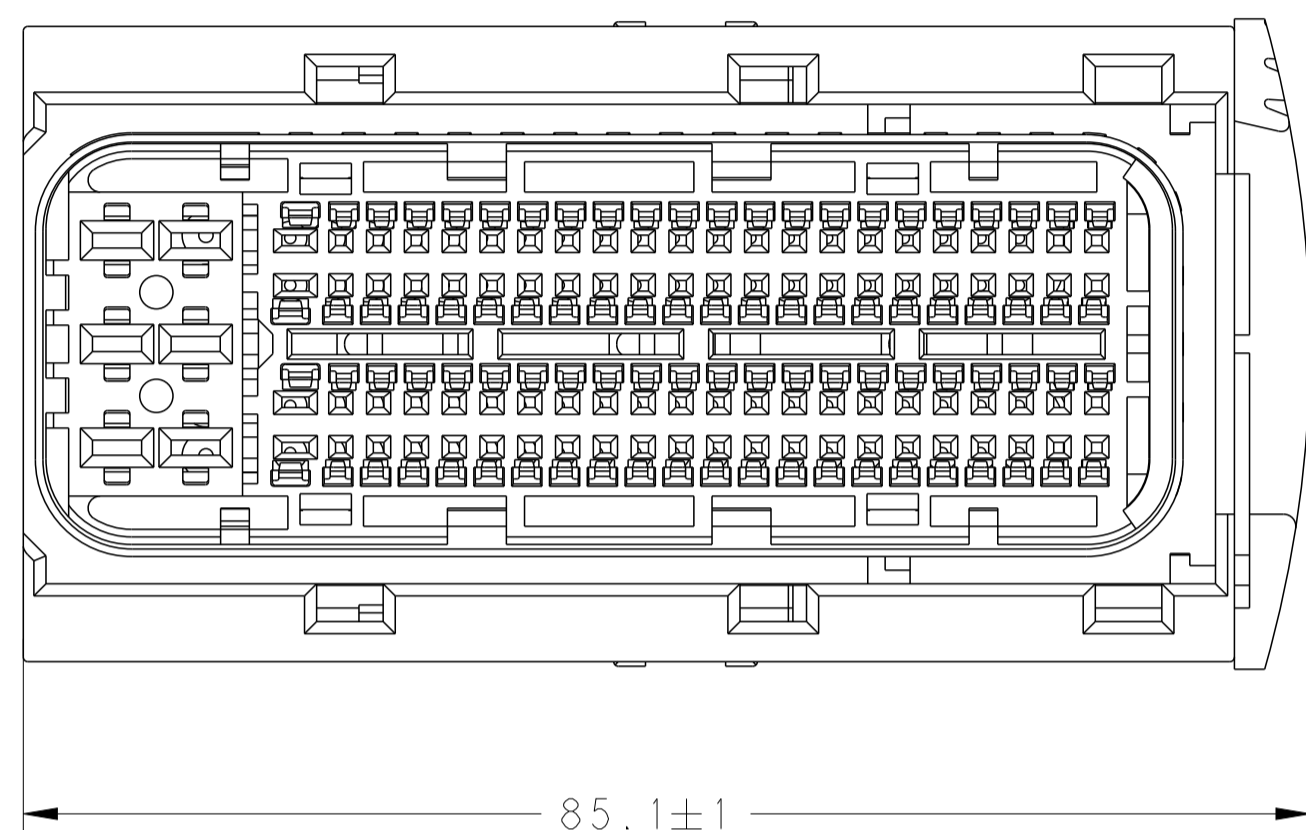
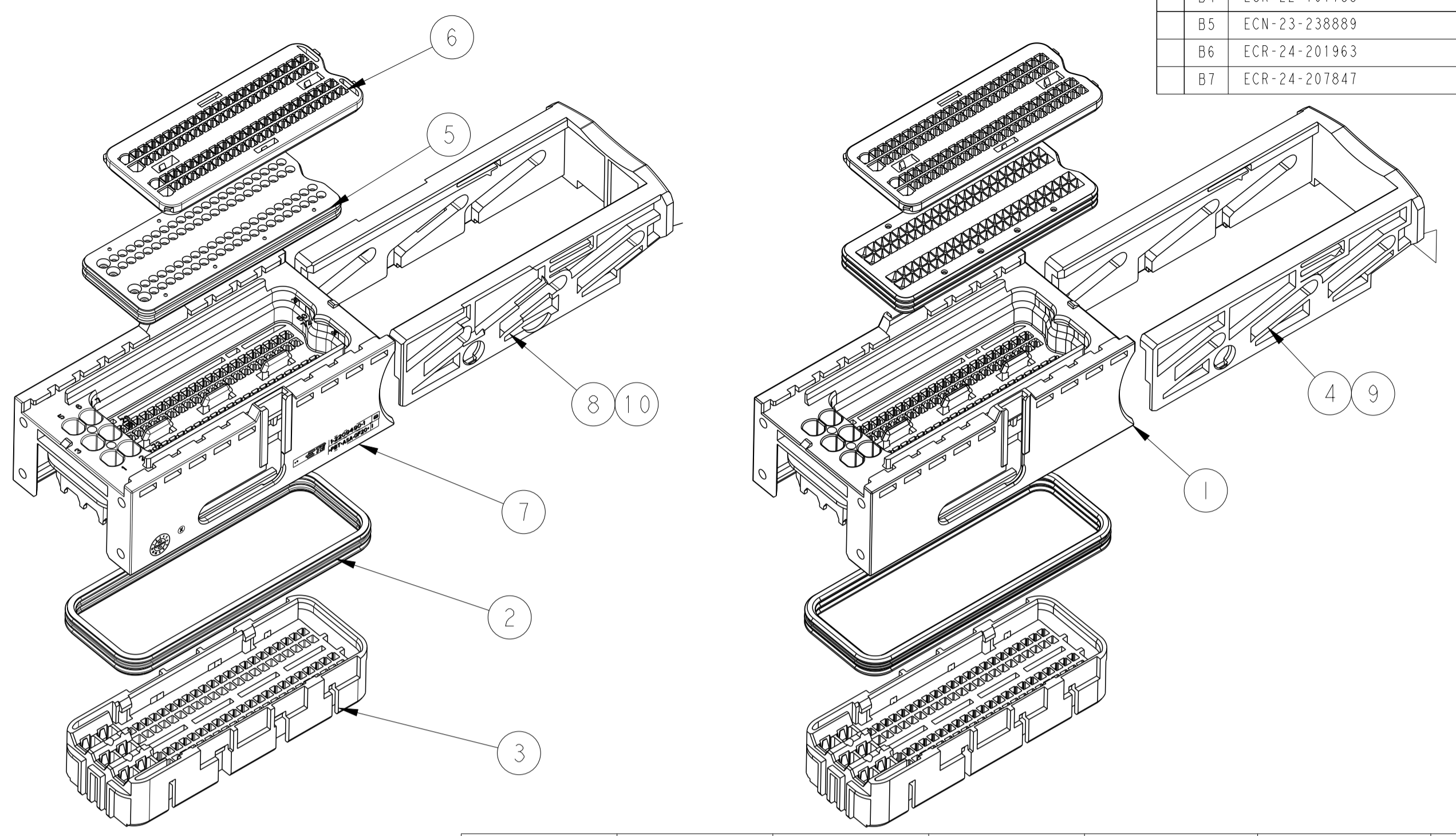
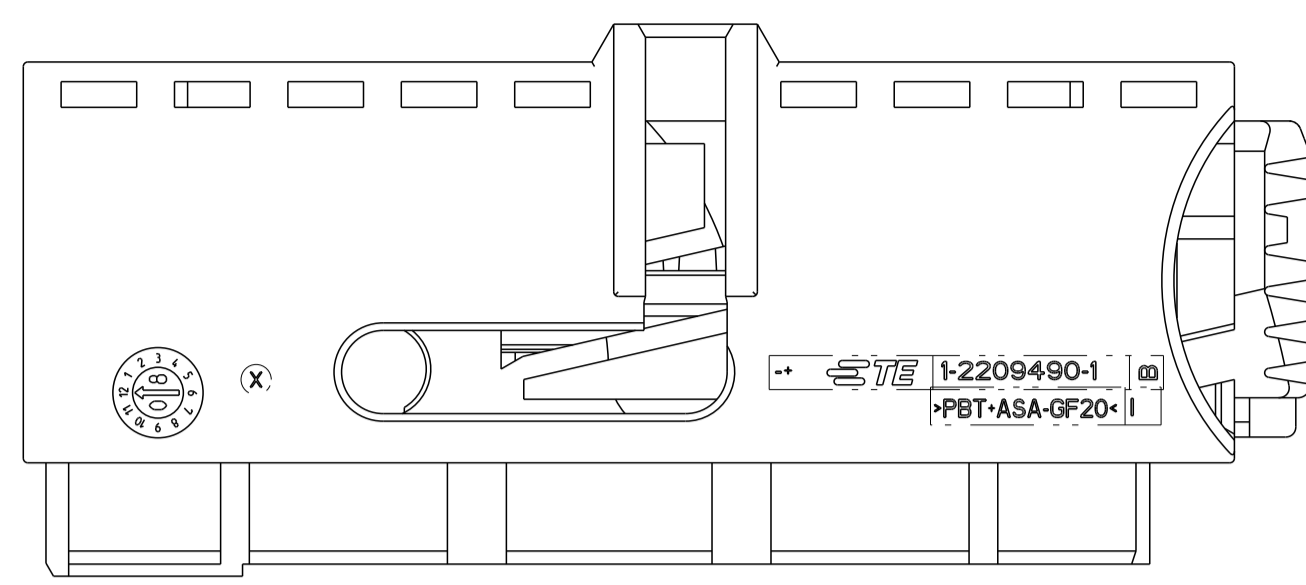
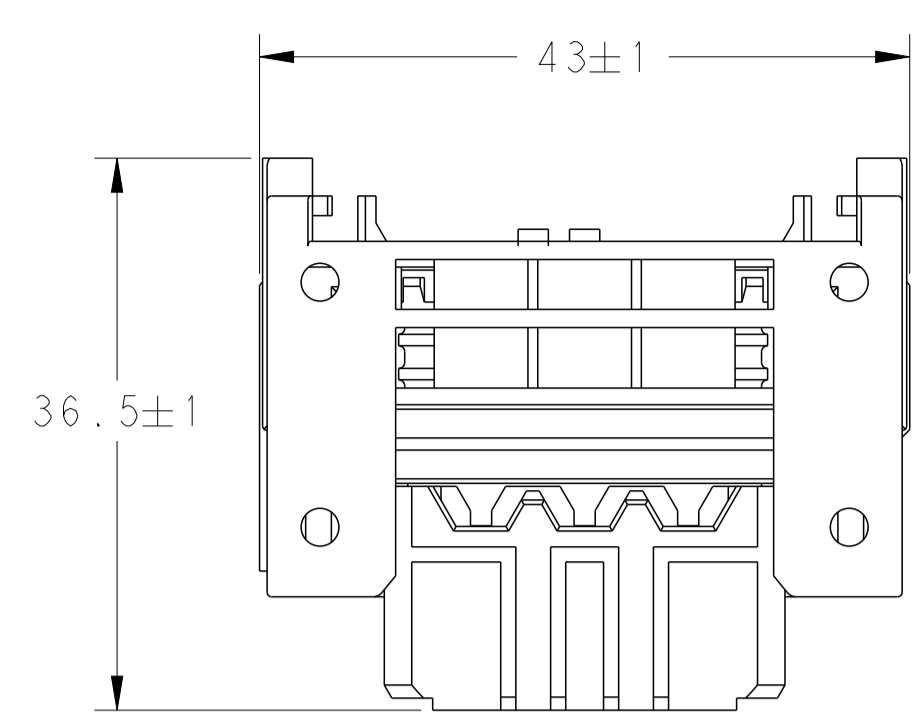
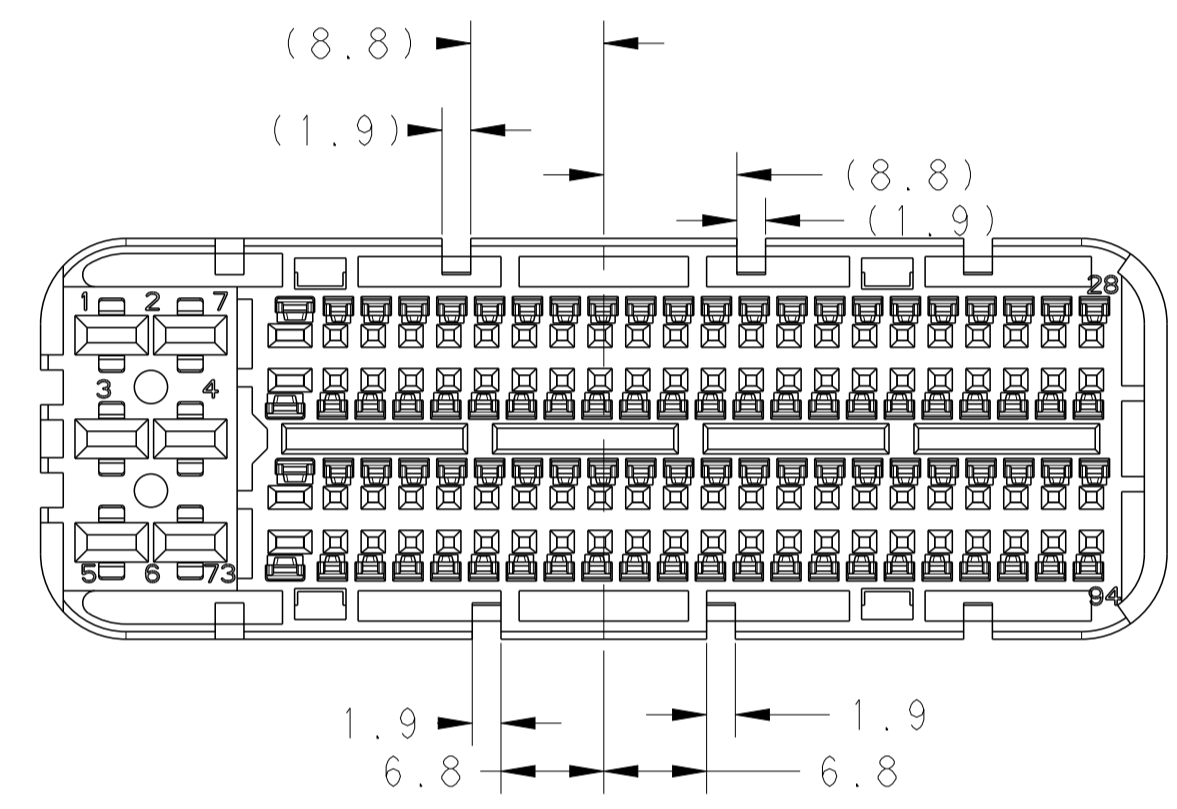


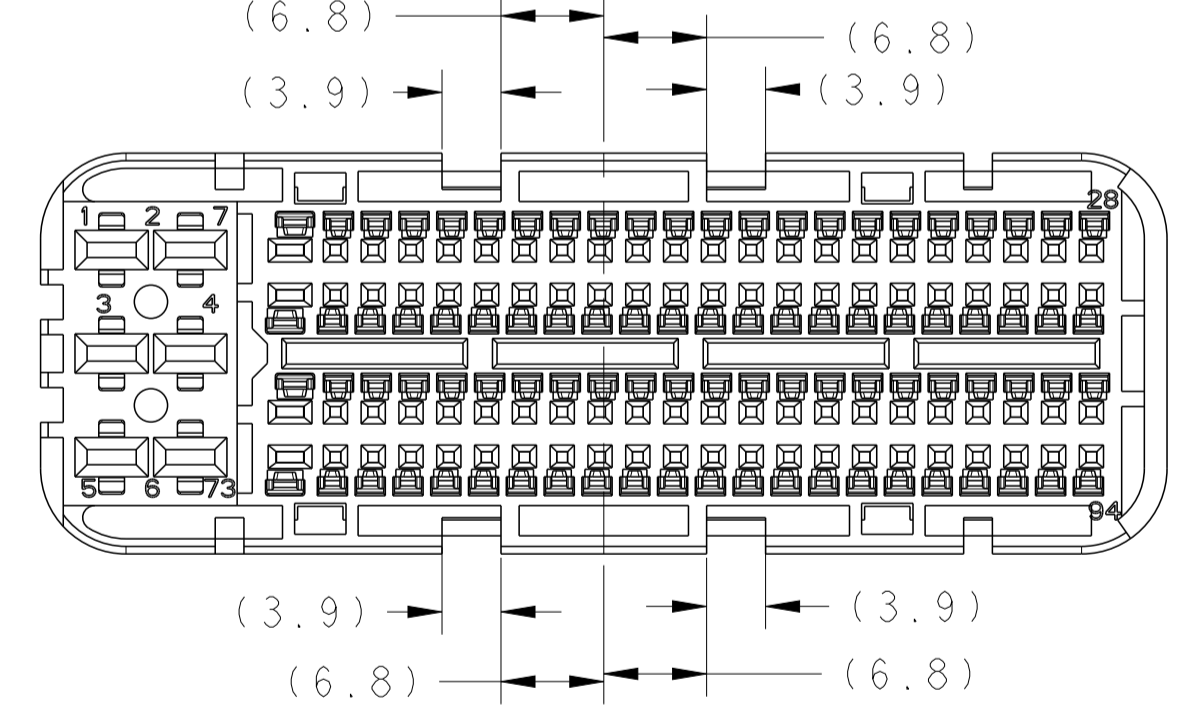
REVISIONS				
P.	LTN	DESCRIPTION	DATE	OWN APVD
B4	ECR-22-161753		20DEC22	S.C I.Y
B5	ECN-23-238889		15NOV23	D.M C.W
B6	ECR-24-201963		06MAR24	D.M C.W
B7	ECR-24-207847		04MAY24	D.M C.W



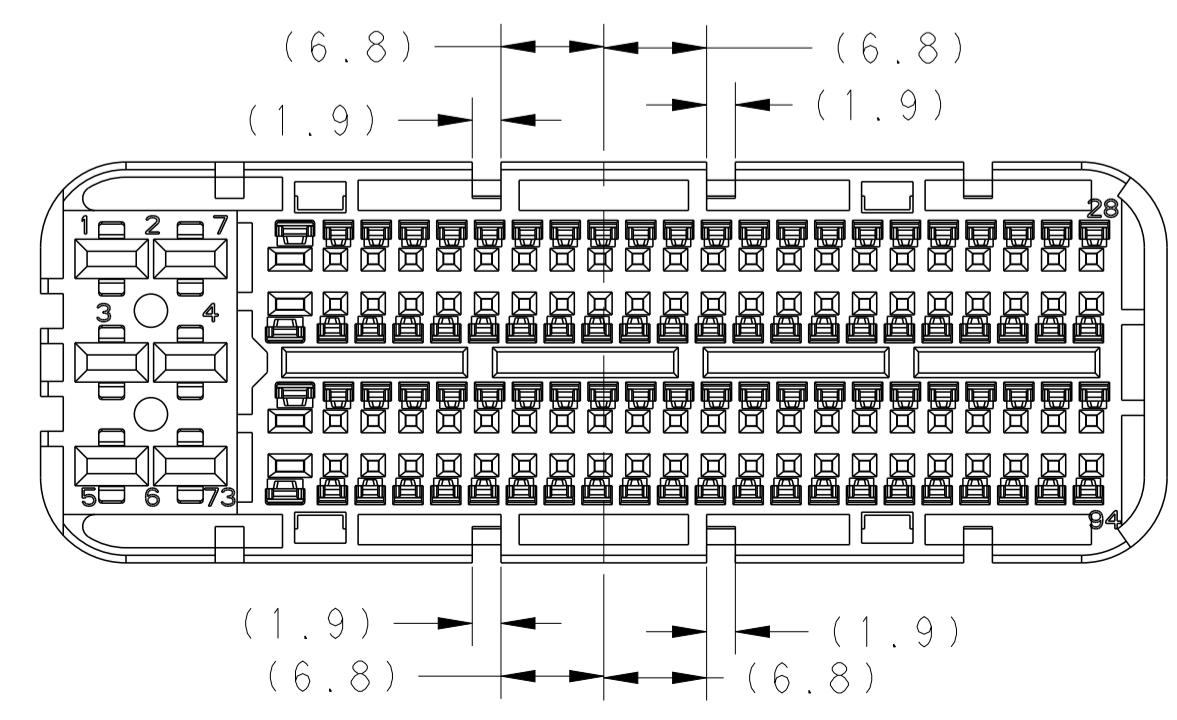
CODINGS FOR
0/1-2209545-1
2/3-2209545-1



CODINGS FOR
0/1-2209545-9
2/3/4-2209545-9



CODINGS FOR
0-2209545-3 (SEE PAGE 2)



NOTES:

- SUITABLE CONTACTS SEE BELOW DRAWINGS:
 MQS 0.63mm(CLEAN BODY): 968220, 968221, 1534116, 1703282.
 SUITABLE WIRE SIZE FROM 0.35mm² TO 0.75mm²,
 INSULATION OUTER DIAMETER RANGE FROM 1.2 TO 1.9mm.
 MQS 1.5mm(CLEAN BODY): 1241608
 SUITABLE WIRE SIZE FROM 0.75mm² TO 1.5mm²,
 SUITABLE WIRE INSULATION OUTER DIAMETER RANGE FROM 1.4 TO 2.4mm.
 MCP 2.8K: 1241392, 1241394, 1241396.
 SUITABLE WIRE SIZE FROM 0.5mm² TO 2.5mm²,
 INSULATION OUTER DIAMETER RANGE FROM 1.4 TO 3.0mm.
- SEALING PLUG P/N: 1394871-1 (MQS 0.63mm), 1394872-1 (MQS 1.5mm), 828922-1 (MCP 2.8K), 828922-2 (MCP 2.8K)
- SINGLE WIRE SEAL FOR MCP 2.8K CONTACT: 963294-1, 963293-1, 963292-1.
- SUITABLE RETAINER P/N: 6-1355134-1, 6-1355135-1.
- SUITABLE COVER P/N: 2137754-1, 2137755-1, 6-1418652-1, 6-2141282-1, 2300724-1
- 0/2-2209545-1/9 (ICT VERSION) CAN MATING WITH LEVER 2137752-1/6; 1/3-2209545-1/9 (LEVER ENHANCED VERSION) CAN MATING WITH LEVER 2305001-1/6;
- *-2209545-* IS SUZHOU VERSION PN THAT IS THE SIMILAR PERFORMANCE OF *-2208284-*

QTY	QTY	QTY	QTY	MATERIAL	COLOUR	DESCRIPTION	ITEM
1	1	1	1	PBT GF	BLACK	SEALING HOLDER	6
1	1	1	1	SILICONE	LIGHT BLUE	FAMILY SEAL	5
1	1	1	1	PA6 GF	BLACK	SLIDE(CUT)	10
		1	1	PA6 GF	BLACK	SLIDE(CUT)	9
1		1		PBT GF	WATER BLUE	CAVITY BLOCK (GENERAL CODING)	3
	1		1	PBT GF	BLUE	CAVITY BLOCK (CODING G)	3
1	1	1	1	SILICONE	ORANGE	SEALING	2
1	1			PBT/ASA GF	BLACK	CARRIER HOUSING (ENHANCED)	7
		1	1	PBT/ASA GF	BLACK	CARRIER HOUSING (ICT)	1
3-2209545-9	3-2209545-1	2-2209545-9	2-2209545-1	P/N			
B	B	B	B	REV.			
LEVER ENHANCED VERSION		ICT VERSION					

QTY	QTY	QTY	QTY	QTY	MATERIAL	COLOUR	DESCRIPTION	ITEM
1	1	1	1	1	PBT GF	BLACK	SEALING HOLDER	6
1	1	1	1	1	SILICONE	LIGHT BLUE	FAMILY SEAL	5
1	1	1	1	1	PA66 GF	BLACK	SLIDE(CUT)	8
		1	1	1	PA66 GF	BLACK	SLIDE(CUT)	4
1	1	1	1	1	PBT GF	WATER BLUE	CAVITY BLOCK (GENERAL CODING)	3
		1	1	1	PBT GF	BLUE	CAVITY BLOCK (CODING G)	3
1	1	1	1	1	SILICONE	ORANGE	SEALING	2
1					PBT/ASA GF	BLACK	CARRIER HOUSING (ENHANCED)	7
	1	1			PBT/ASA GF	BLACK	CARRIER HOUSING (ENHANCED)	7
			1	1	PBT/ASA GF	BLACK	CARRIER HOUSING (ICT)	1
4-2209545-9	1-2209545-9	1-2209545-1	0-2209545-9	0-2209545-1	P/N			
A	B	B	B	B	REV.			
LEVER ENHANCED VERSION		ICT VERSION						

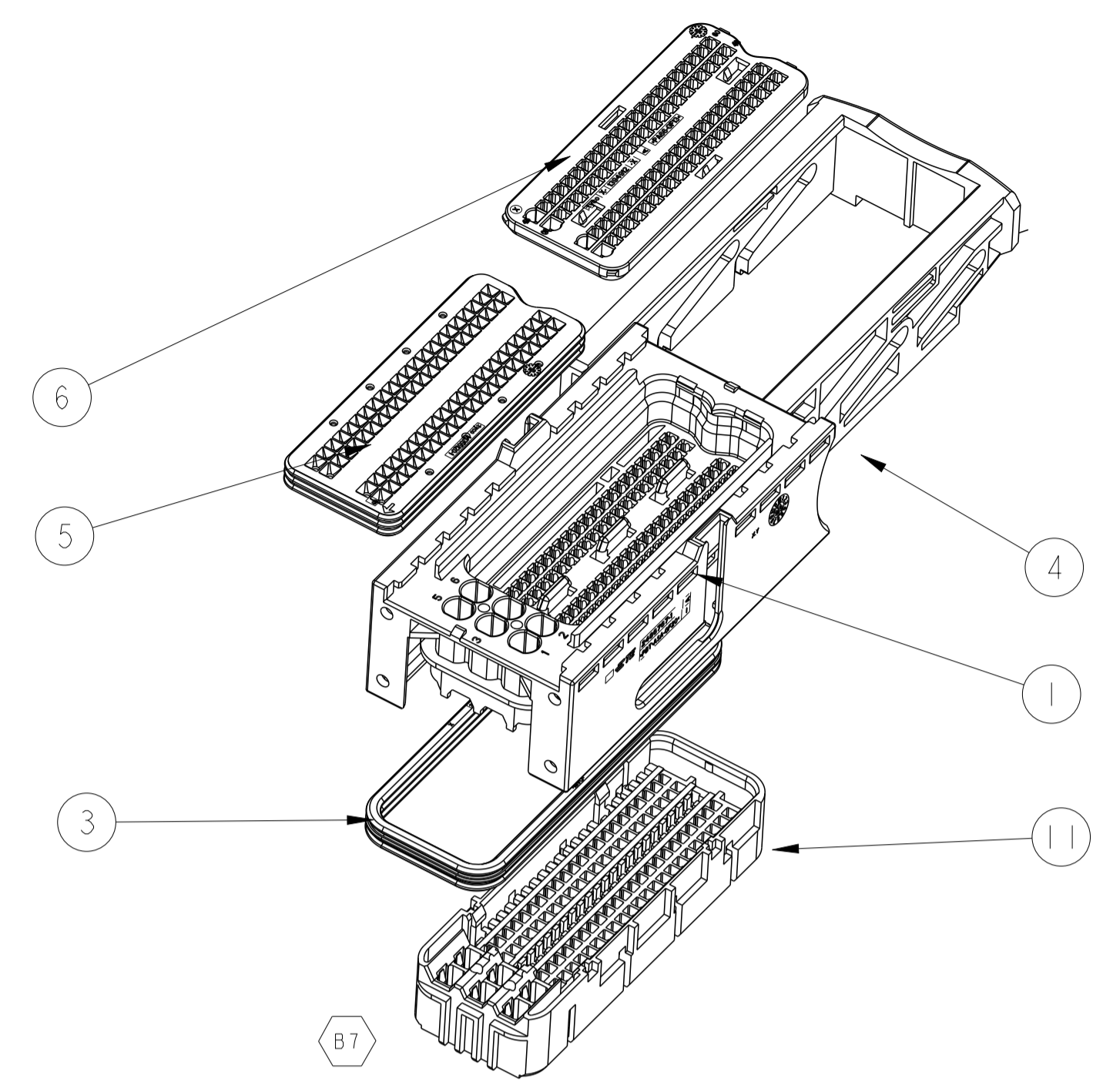
THIS DRAWING IS A CONTROLLED DOCUMENT.

DIMENSIONS: mm
 TOLERANCES UNLESS OTHERWISE SPECIFIED:
 0-PLC 1
 1-PLC 10-5
 2-PLC 10-13
 3-PLC 10-013
 4-PLC 10-0001
 ANGLES 1
 UNLESS OTHERWISE SPECIFIED

DWG: J.LI 26MAY14
 CHK: Z.ZHOU 27MAY14
 APVD: J.YIN 5JUN14
 NAME: CONNECTOR HOUSING, 94P
 PRODUCT SPEC: MOS CB+ MCP2.8K
 APPLICATION SPEC: -
 MATERIAL: -
 WEIGHT: -
 CUSTOMER DRAWING: -

SIZE: A1
 CAGE CODE: -
 DRAWING NO: C=2209545
 SCALE: 1:1
 SHEET: 1 OF 2
 REV: B7

STE TE Connectivity



0--3 AS SHOWN

1	PBT-GF	BLACK	SEALING HOLDER	6
1	SILICONE	LIGHT BLUE	FAMILY SEAL	5
1	PA66-GF	BLACK	SLIDE(CUT)	4
1	PBT-GF	BLACK	CAVITY BLOCK (CODING G)	11
1	SILICONE	ORANGE	SEALING	3
1	PBT+ASA-GF	BLACK	CARRIER HOUSING	1
QTY	MATERIAL	COLOUR	DESCRIPTION	ITEM
0-2209545-3	ASSY P/N			
A	REV.			
GENERAL VERSION				

THIS INFORMATION IS CONFIDENTIAL AND PROPRIETARY TO TFC ELECTRONICS CORPORATION. IT IS TO BE KEPT CONFIDENTIAL AND NOT DISCLOSED TO ANYONE, OTHER THAN TFC PERSONNEL, WITHOUT AUTHORIZATION FROM TFC ELECTRONICS CORPORATION.

LOC	-
DIST	-

P	LTR	REVISION RECORD	DATE	DWN	APVD
		SEE SHEET 1			

DIMENSIONS:		TOLERANCES UNLESS OTHERWISE SPECIFIED:	
mm		0 PLC	±0.1
		1 PLC	±0.2
		2 PLC	±0.3
		3 PLC	±0.013
		4 PLC	±0.0001
UNLESS OTHERWISE SPECIFIED:		SURFACE TEXTURE	

DWN	J. YU	03DEC2012	MATERIAL	-	HEAT TREAT	-					
CHK	Z. ZHOU	03DEC2012									
APVD	I. YIN	15JAN2013									
NAME	CARRIER HSG, 94P ASSY										
ICT VERSION	ICT VERSION										
SCALE	1:1	SIZE	A1	DRAWING NO	2209545	SHEET	2	OF	2	REV	B7