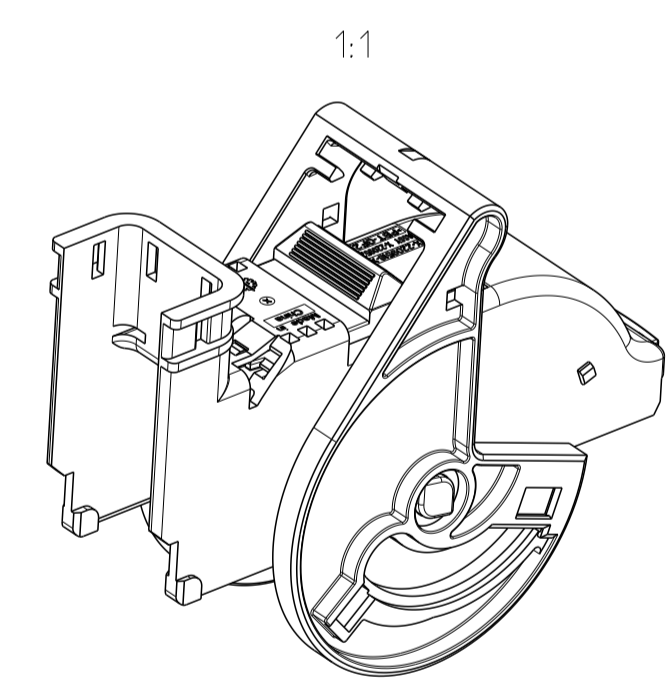
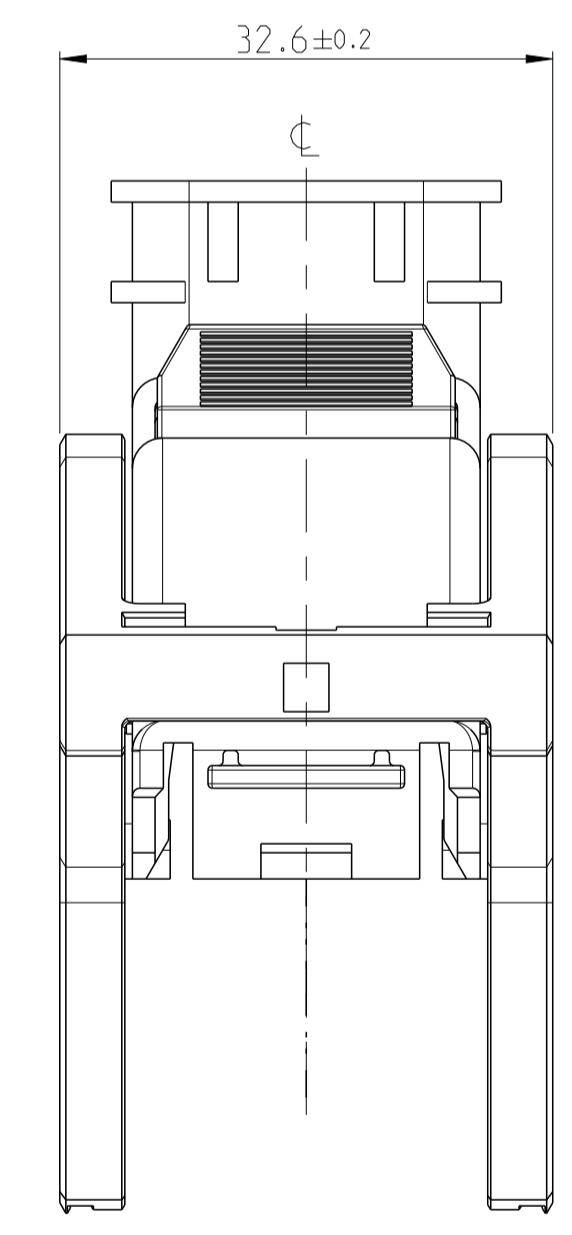
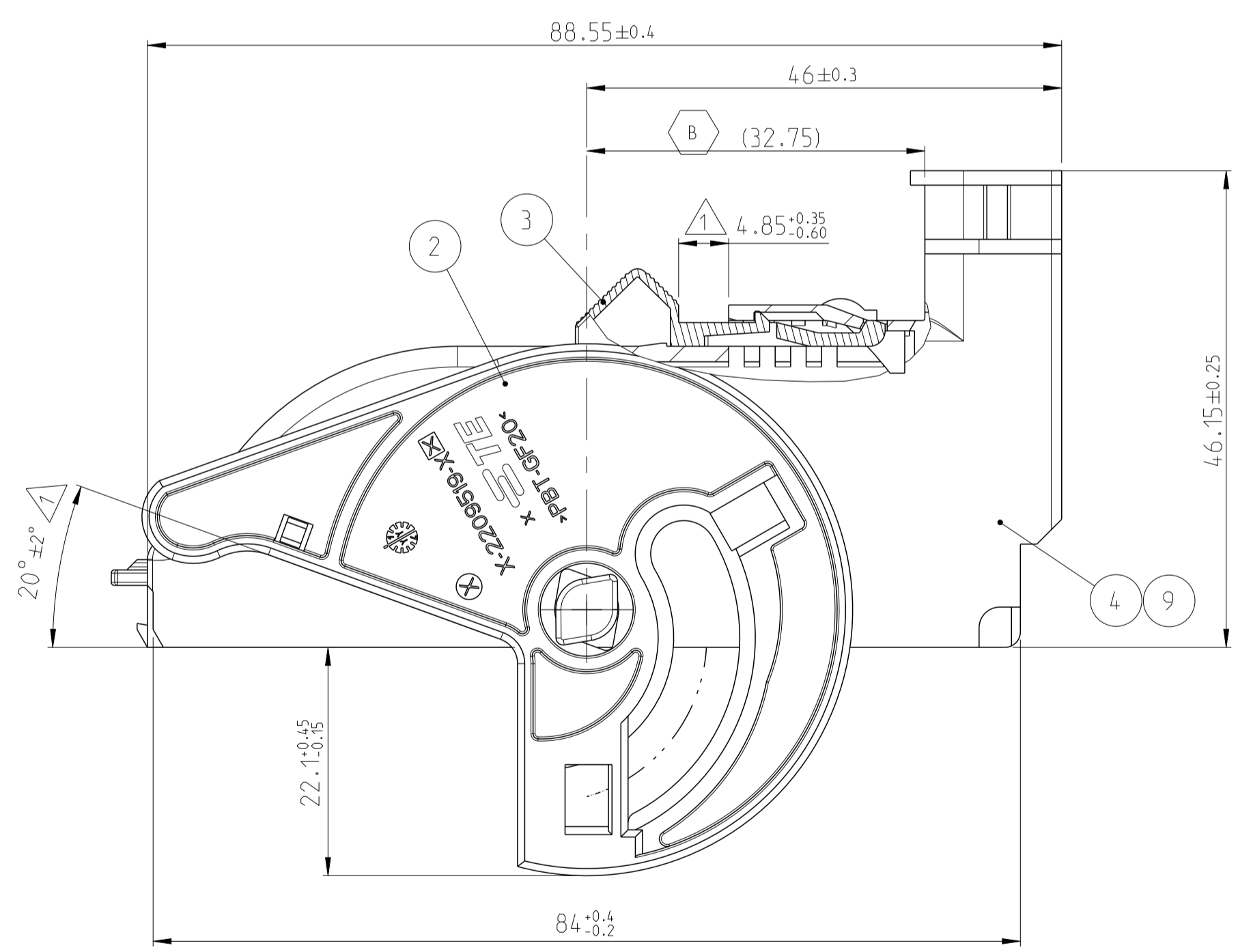
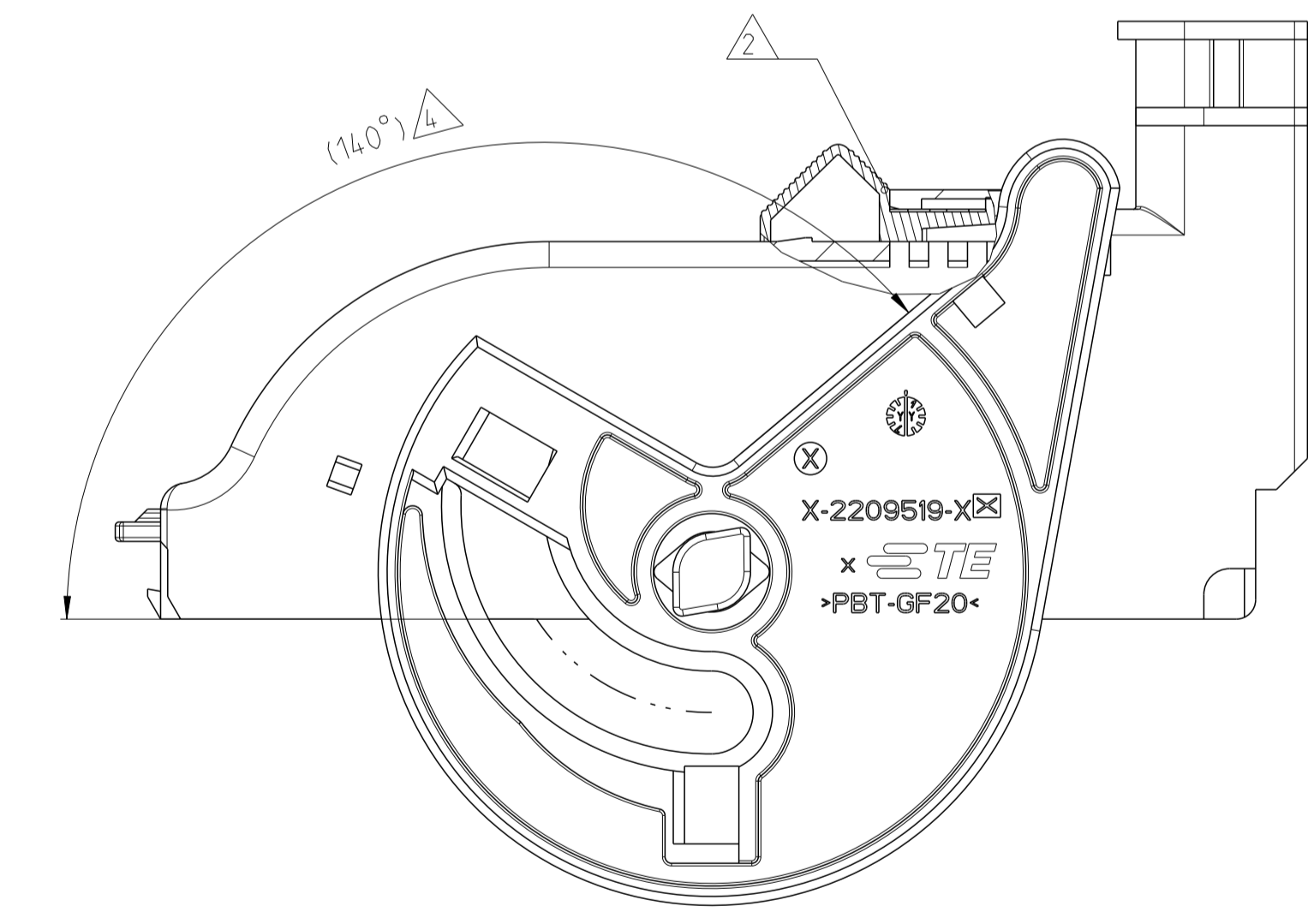
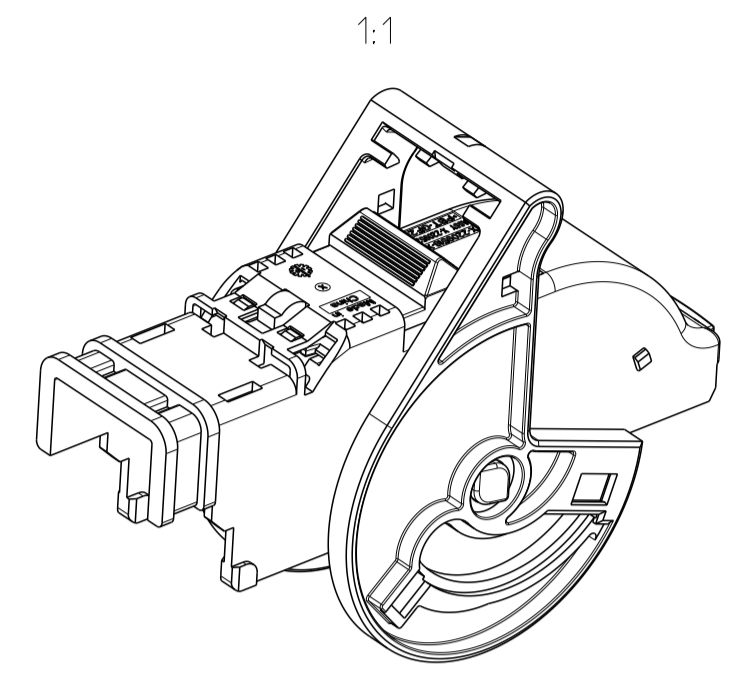
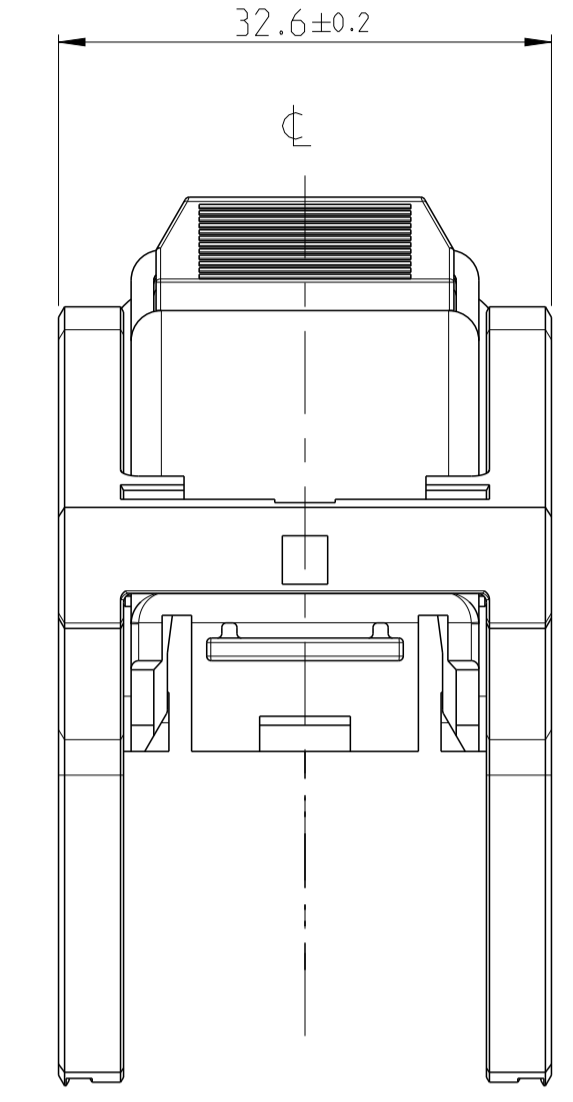
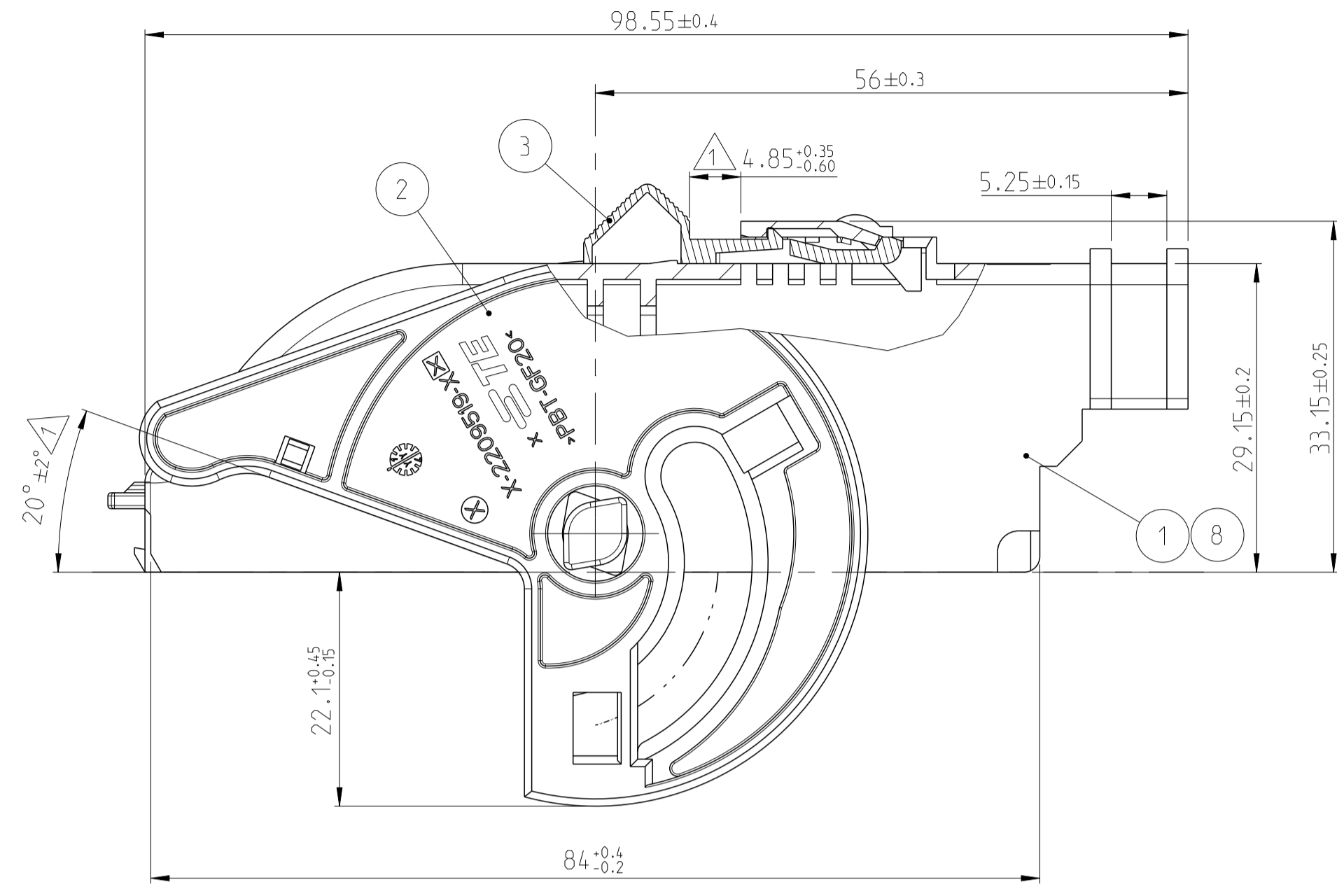
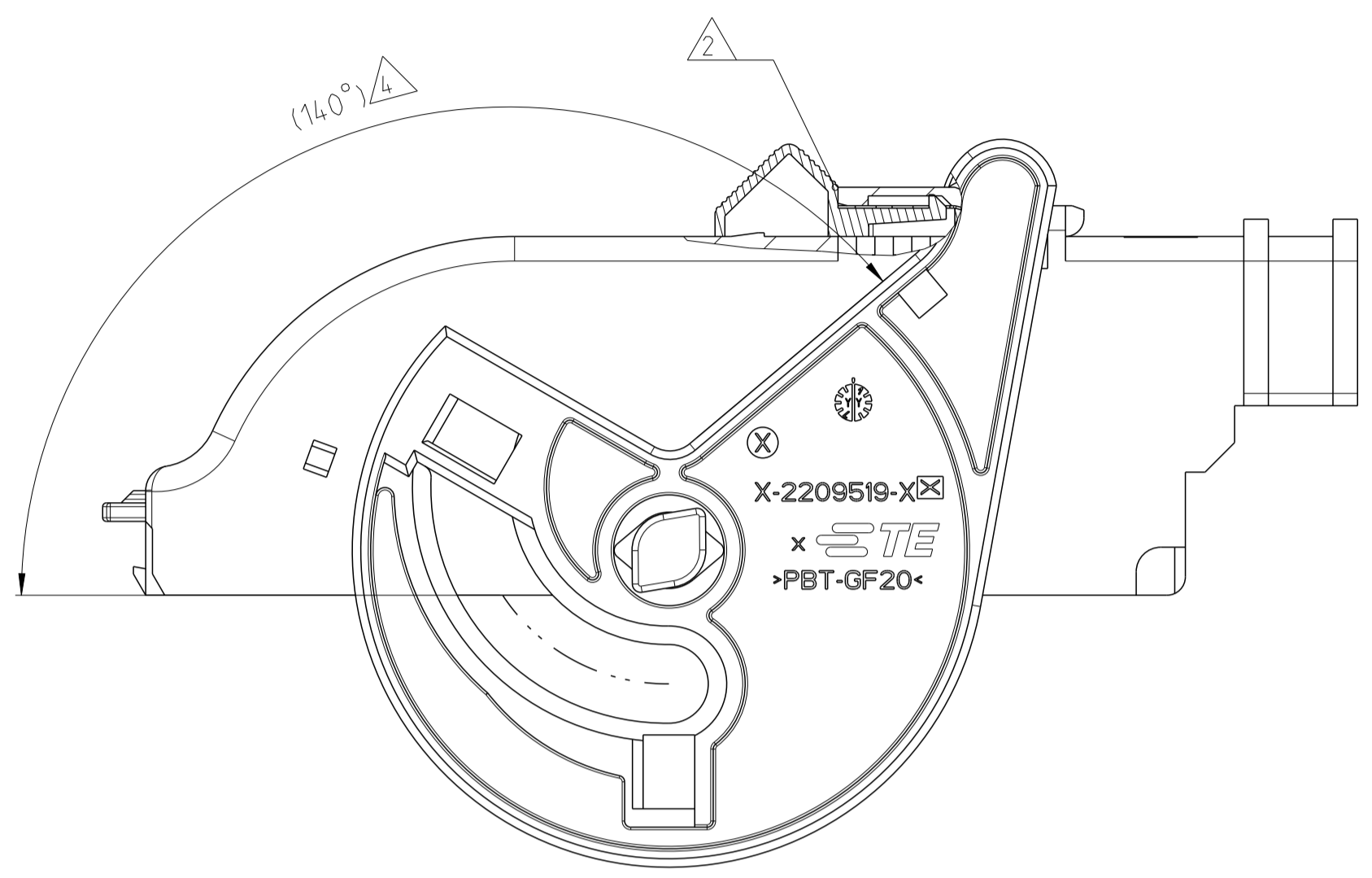


LOC	DIST	REVISIONS			
P	LTN	DESCRIPTION	DATE	DMN	APVD
A5	ECR-17-017121	ADD NEW PN	08NOV2017	N.S	I.Y
A6	ECR-18-000656	ADD SHEET 3	03JAN2018	T.D	I.Y
A7	ECN-23-193761		10JAN2023	Q.L	J.Z
B	ECR-23-189035		09OCT 23	S.X	J.Z



- NOTES
- 1 DELIVERY CONDITION: LEVER (2) IN PRELOCKED POSITION
CPA (3) IN PRELOCKED POSITION
 - 2 CPA END LOCK POSITION
 - 3 LEVER MUST ROTATE SMOOTHLY UNTIL LOCKING
 - 4 LEVER END LOCK POSITION
 - 5 PACKAGING: POSITION WAY IN CARDBOX
 - 6 2209521 USED WITH TE: 2209520 (HSG ASSY)
 - 7 *-2209521-* IS SUZHOU VERSION OF *-2112833-* BOTH HAVE THE SIMILAR PERFORMANCE.

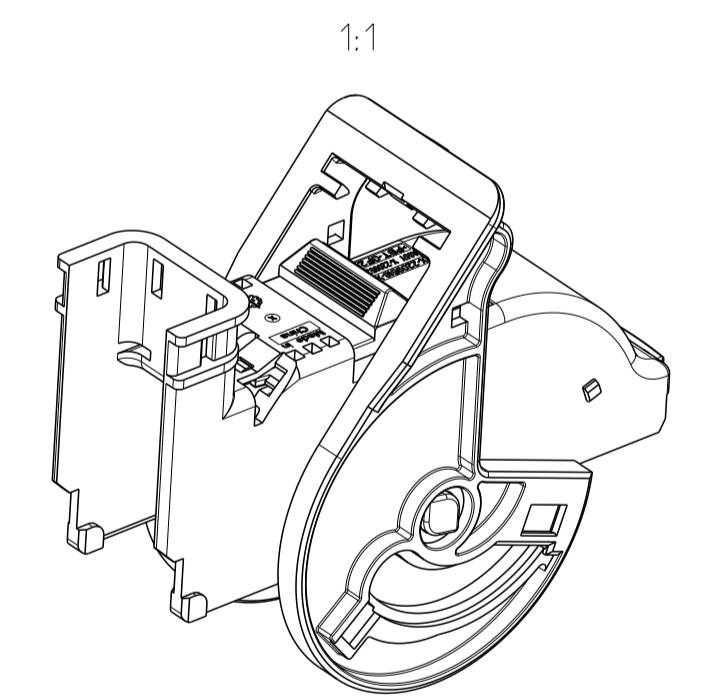
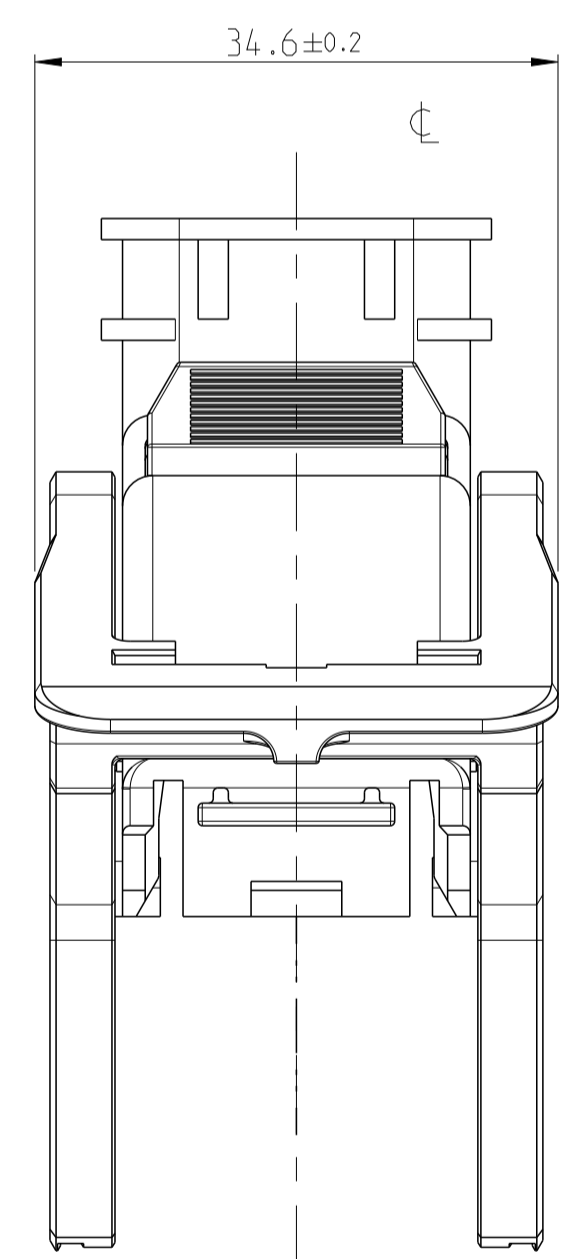
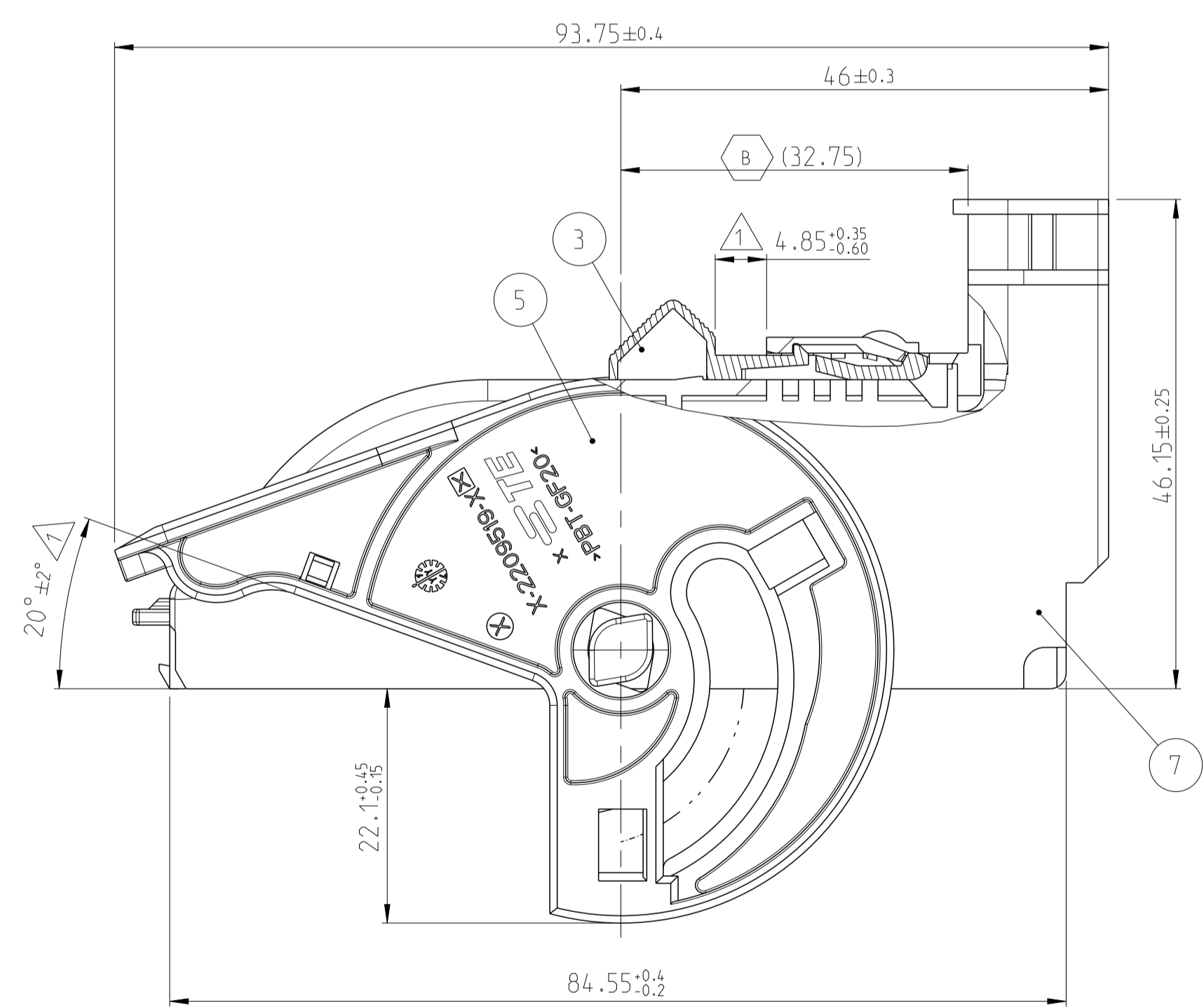
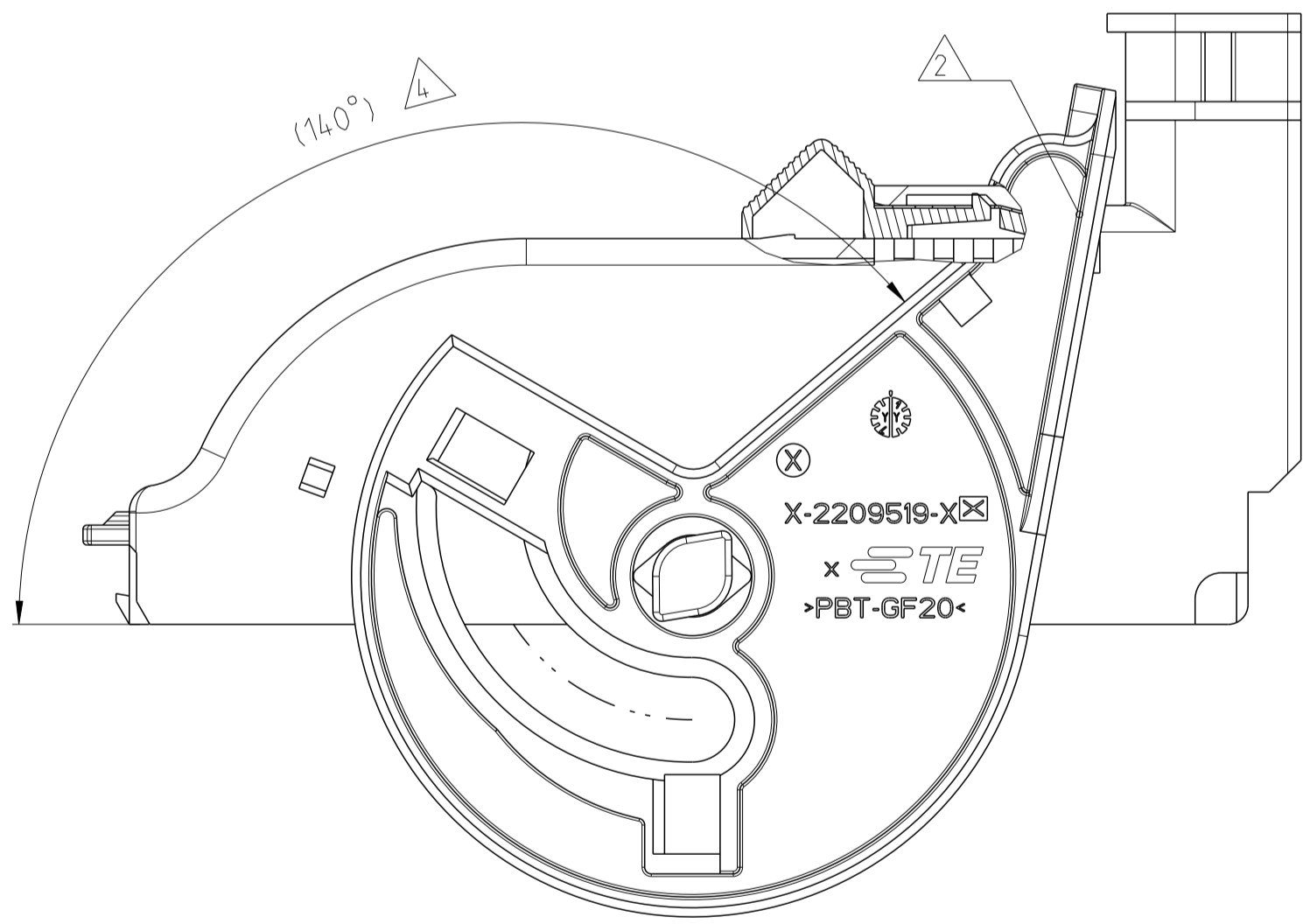
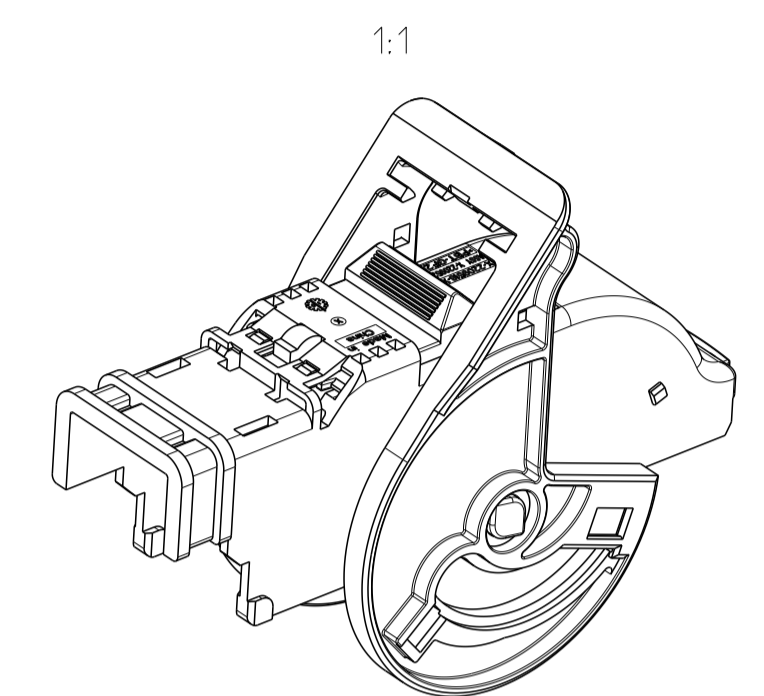
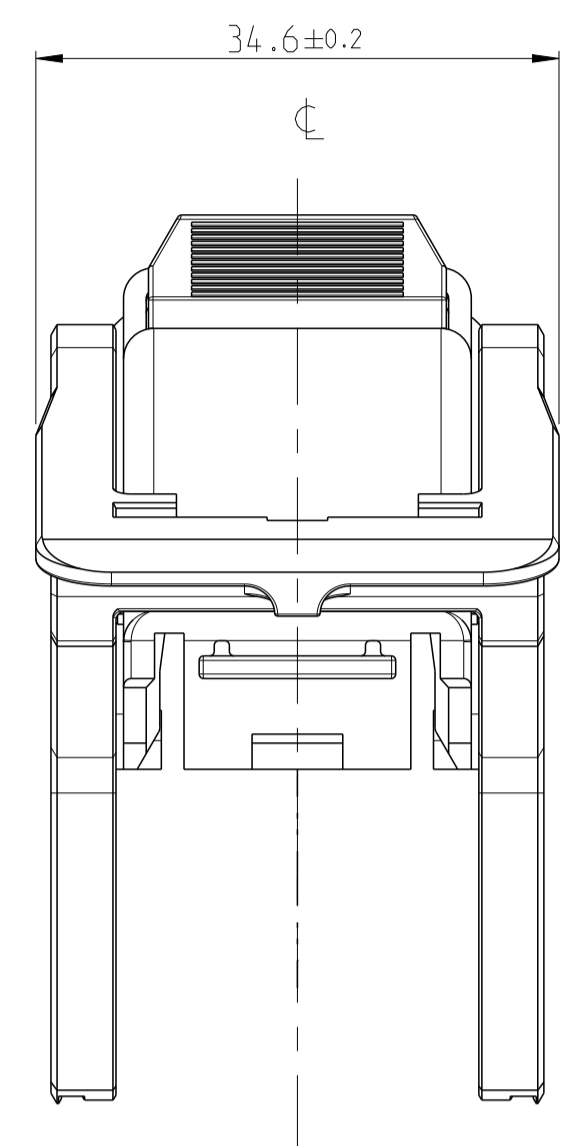
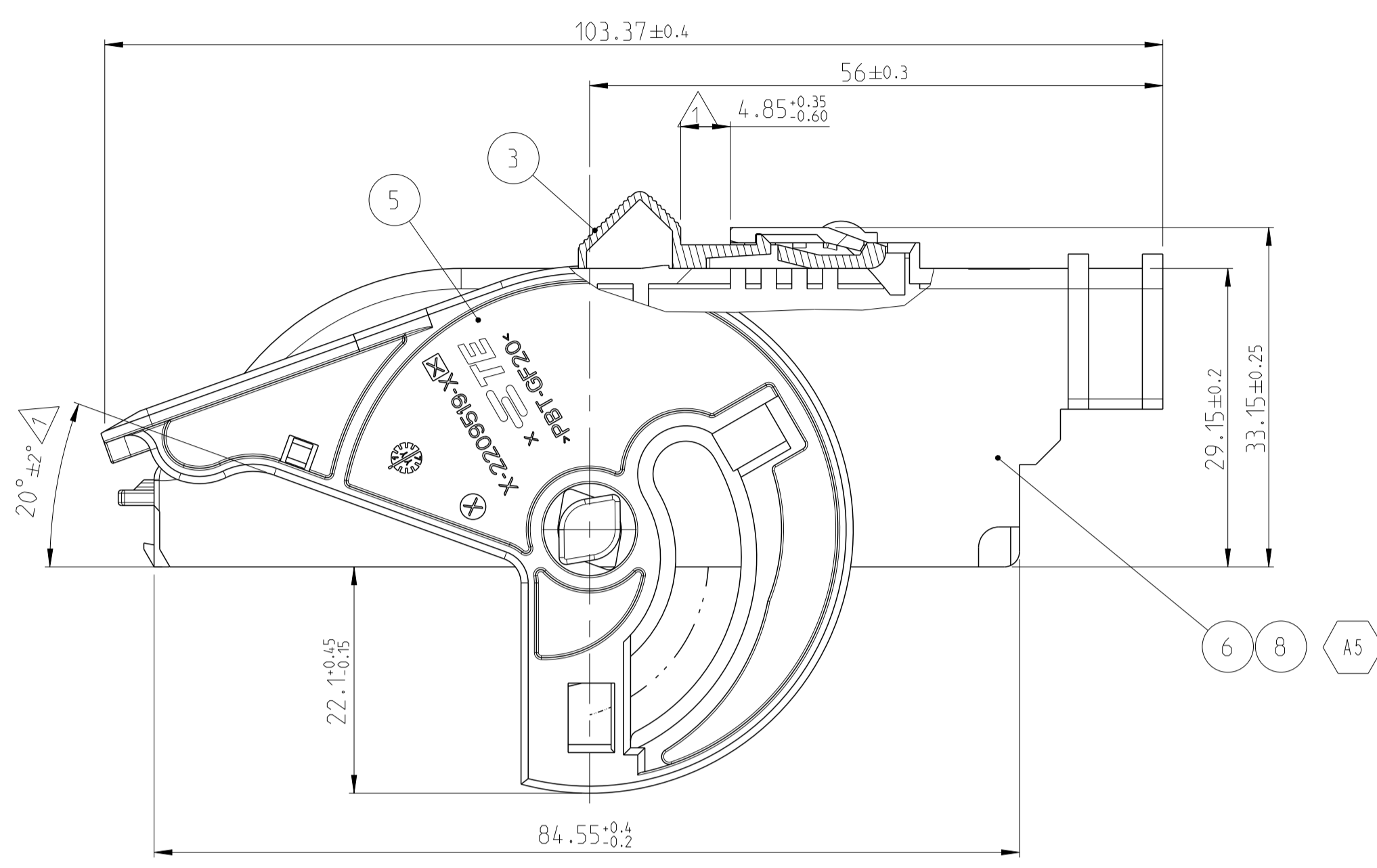
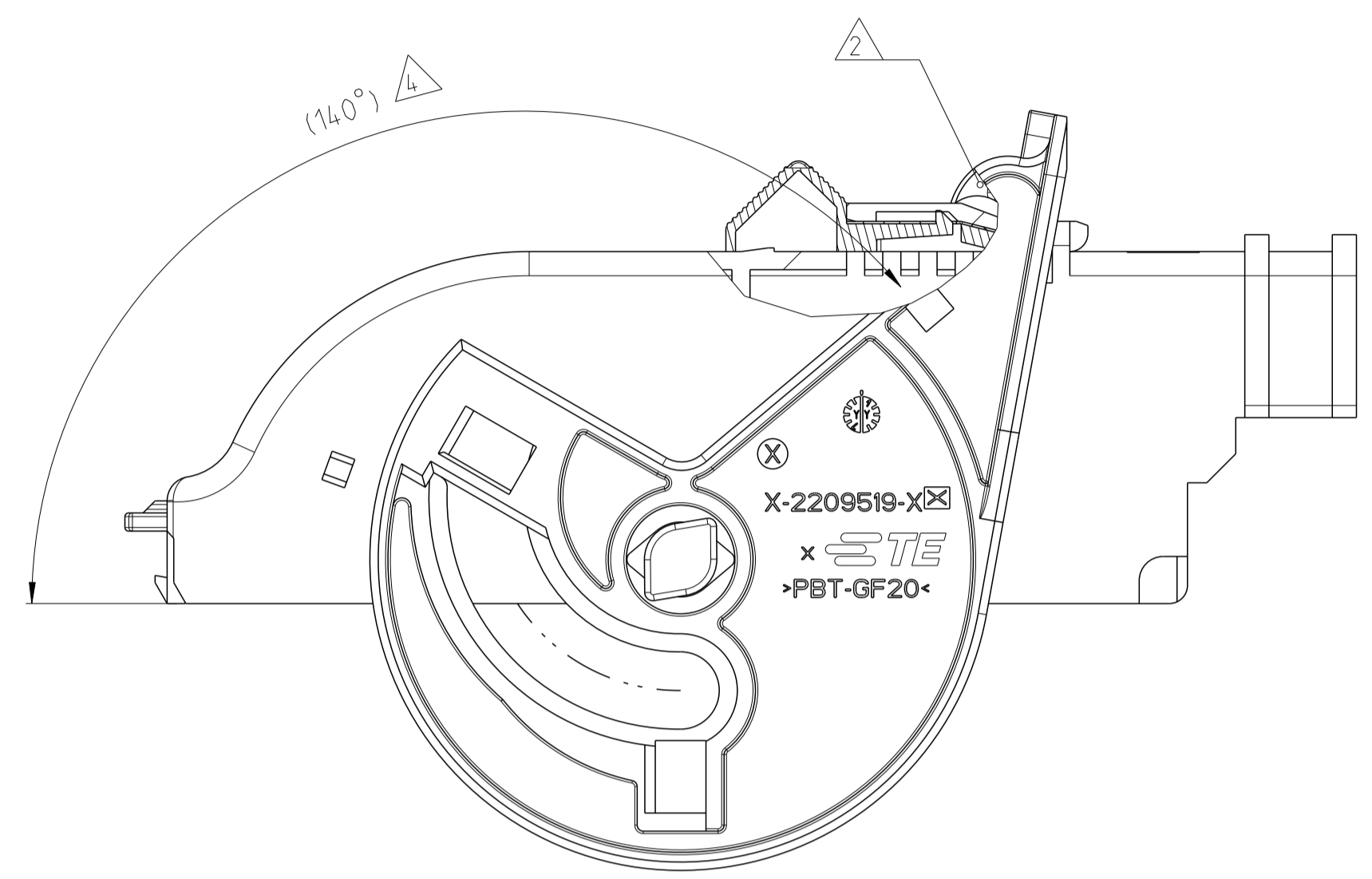
0-2209521-1/2 SEE SHEET 1/3
 2-2209521-1/2 SEE SHEET 1/3

TE ASSY-NO	Rev.	COLOR	MATERIAL	DESCRIPTION	QTY.	ITEM NO
2-2209521-2	B	GRAY	PBT-GF20	LEVER	1	2
		BLACK	PBT-GF20	COVER 180°	1	9
2-2209521-1	A	GRAY	PBT-GF20	LEVER	1	2
		BLACK	PBT-GF20	COVER 90°	1	8
0-2209521-2	B	RED	PBT-GF10	CPA	1	3
		GRAY	PBT-GF20	LEVER	1	2
0-2209521-1	A	RED	PBT-GF10	CPA	1	3
		GRAY	PBT-GF20	LEVER	1	2
0-2209521-1	A	GRAY	PBT-GF20	LEVER	1	2
		BLACK	PBT-GF20	COVER 90°	1	1

THIS DRAWING IS A CONTROLLED DOCUMENT.

DIMENSIONS: mm	TOLERANCES UNLESS OTHERWISE SPECIFIED	OWN J.ZHONG 04-MAR-13	CHK A.DANG 04-MAR-13	APVD L.Y.LIN 04-MAR-13	NAME COVER, 46 POS. HOUSING, ASSY
MATERIAL SEE TABLE	FINISH	SIZE A1	CAGE CODE 00779	DRAWING NO C=2209521	RESTRICTED TO
		WEIGHT 29.2g	Customer Drawing	SCALE 2:1	SHEET 1 OF 3 REV B

LOC	DIST	REVISIONS					
		P	LTN	DESCRIPTION	DATE	OWN	APVD
ES	00	-	-	SEE SHEET 1	-	-	-



1-2209521-1/2 SEE SHEET 2/3
 3-2209521-1 SEE SHEET 2/3

- NOTES
- 1 DELIVERY CONDITION: LEVER (5) IN PRELOCKED POSITION
 CPA (3) IN PRELOCKED POSITION
 - 2 CPA END LOCK POSITION
 - 3 LEVER MUST ROTATE SMOOTHLY UNTIL LOCKING
 - 4 LEVER END LOCK POSITION
 - 5 PACKAGING: POSITION WAY IN CARDBOX
 - 6 2209521 USED WITH TE: 2209520 (HSG ASSY)

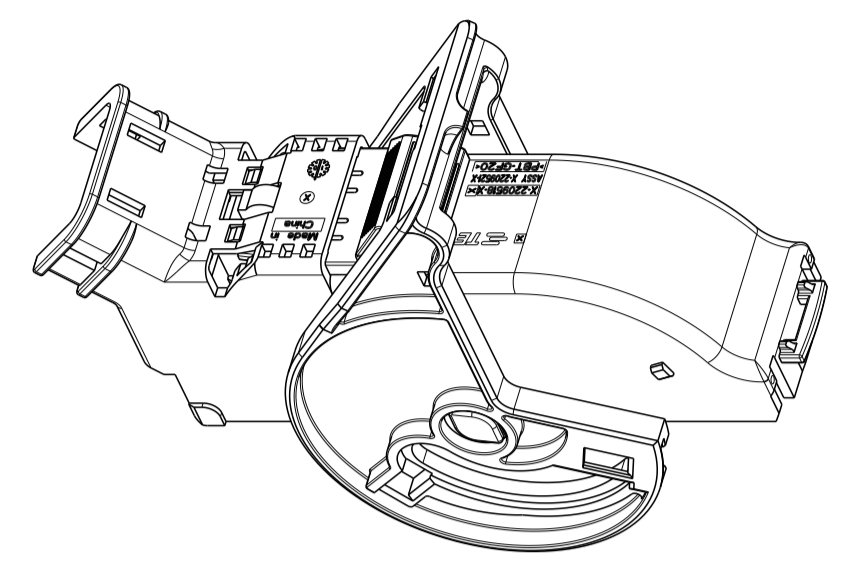
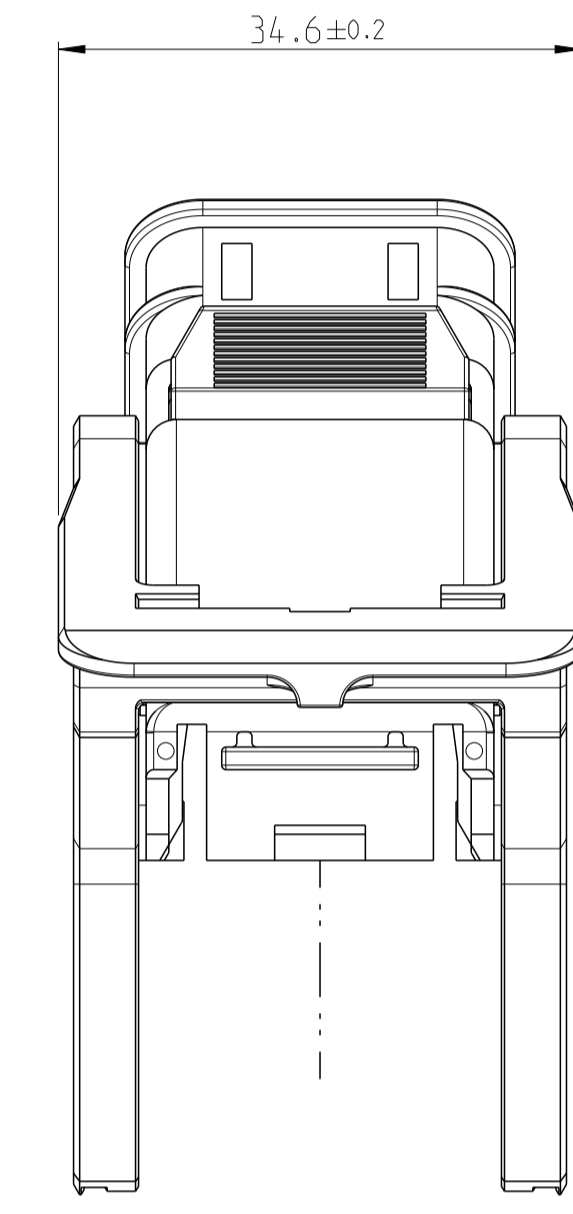
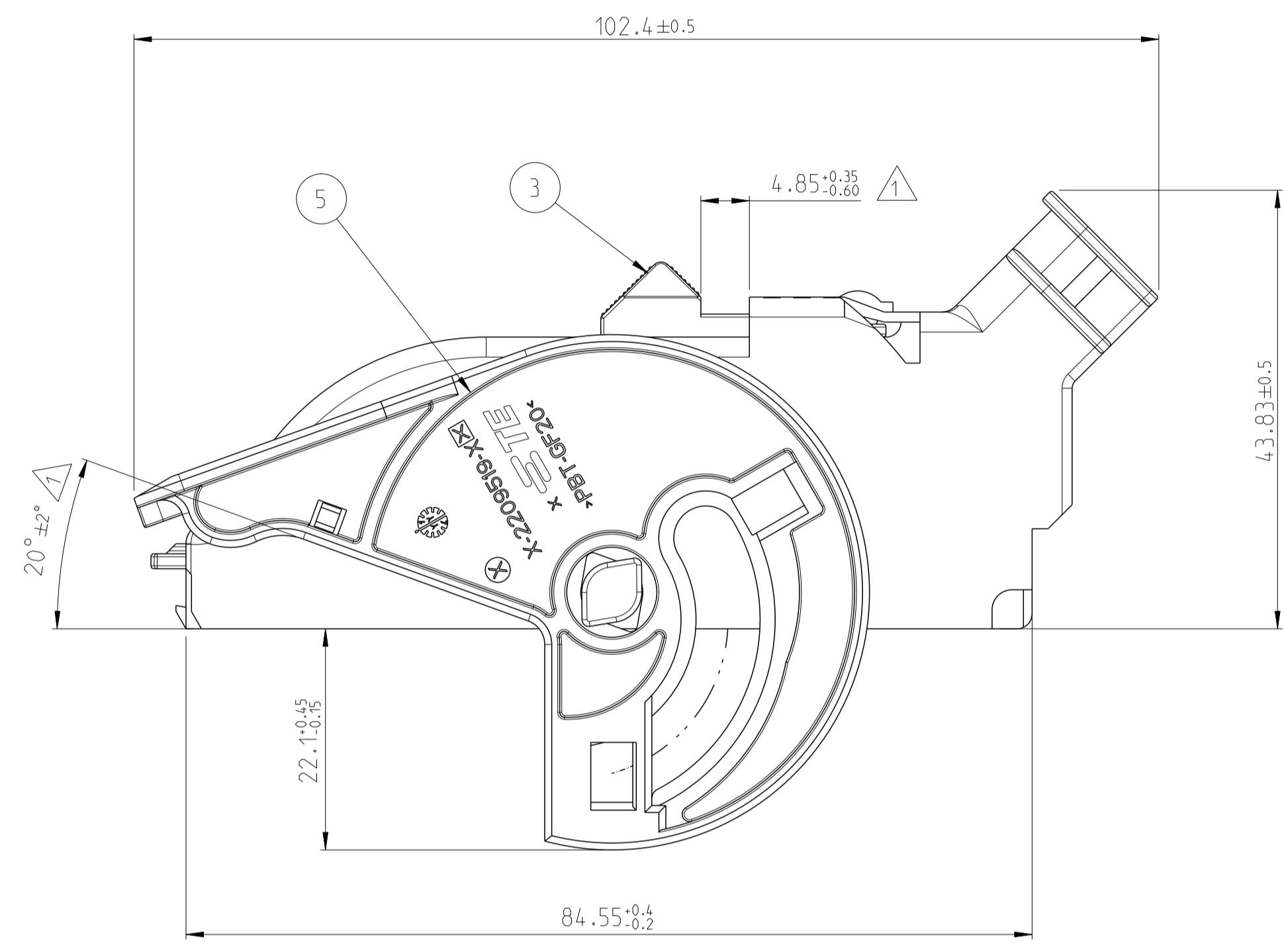
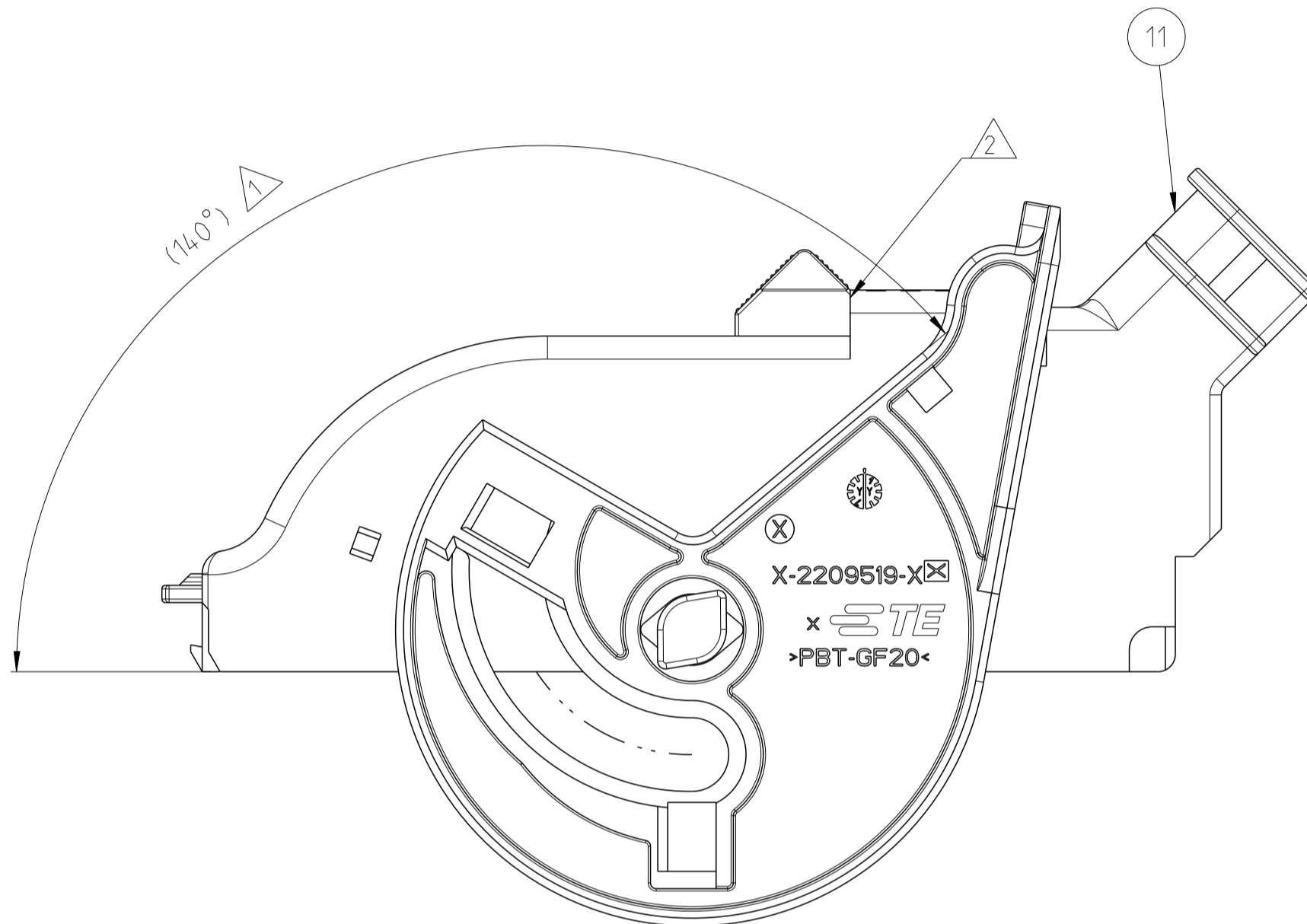
TE ASSY-NO	Rev.	COLOR	MATERIAL	DESCRIPTION	QTY.	ITEM NO
3-2209521-1	A	GRAY	PBT-GF20	LEVER	1	5
		BLACK	PBT-GF20	COVER 90 °	1	8
1-2209521-2	B	RED	PBT-GF10	CPA	1	3
		GRAY	PBT-GF20	LEVER	1	5
1-2209521-1	A	RED	PBT-GF10	CPA	1	3
		GRAY	PBT-GF20	LEVER	1	5
		BLACK	PBT-GF20	COVER 90 °	1	6

THIS DRAWING IS A CONTROLLED DOCUMENT.

DIMENSIONS: mm	TOLERANCES UNLESS OTHERWISE SPECIFIED	OWN J. ZHONG 15-MAR-16	CHK S. W. WANG 15-MAR-16	APVD L. Y. LIN 15-MAR-16	NAME
					COVER, 46 POS. HOUSING, ASSY
					SIZE CAGE CODE DRAWING NO RESTRICTED TO
MATERIAL SEE TABLE	FINISH	WEIGHT 31.48g	A1 00779	C=2209521	

Customer Drawing SCALE 2:1 SHEET 2 OF 3 REV B

LOC	DIST	REVISIONS			
P	LTN	DESCRIPTION	DATE	OWN	APVD
-	-	SEE SHEET 1	-	-	-



- NOTES
- 1 DELIVERY CONDITION: LEVER (5) IN PRELOCKED POSITION
CPA (3) IN PRELOCKED POSITION
 - 2 CPA END LOCK POSITION
 - 3 LEVER MUST ROTATE SMOOTHLY UNTIL LOCKING
 - 4 LEVER END LOCK POSITION
 - 5 PACKAGING: POSITION WAY IN CARDBOX
 - 6 2209521 USED WITH TE: 2209520 (HSG ASSY)

6-2209521-1 SEE SHEET 3/3

6-2209521-1	A	RED	PBT-GF10	CPA	1	3
		GRAY	PBT-GF20	LEVER	1	5
		BLACK	PBT-GF20	COVER 45°	1	11
TE ASSY-NO	Rev.	COLOR	MATERIAL	DESCRIPTION	QTY.	ITEM NO

THIS DRAWING IS A CONTROLLED DOCUMENT.		OWN T. DONG	29DEC2017	TE Connectivity																							
DIMENSIONS: mm		CHK E. JIANG	02JAN2018																								
TOLERANCES UNLESS OTHERWISE SPECIFIED		APVD LYN	03JAN2018	NAME COVER, 46 POS. HOUSING, ASSY																							
<table border="1"> <tr><td>0</td><td>PLC</td><td>±</td></tr> <tr><td>1</td><td>PLC</td><td>±</td></tr> <tr><td>2</td><td>PLC</td><td>±</td></tr> <tr><td>3</td><td>PLC</td><td>±</td></tr> <tr><td>4</td><td>PLC</td><td>±</td></tr> <tr><td colspan="2">ANGLES</td><td>±</td></tr> <tr><td colspan="2">FINISH</td><td>±</td></tr> </table>		0	PLC	±	1	PLC	±	2	PLC	±	3	PLC	±	4	PLC	±	ANGLES		±	FINISH		±	PRODUCT SPEC		SIZE		RESTRICTED TO
0	PLC	±																									
1	PLC	±																									
2	PLC	±																									
3	PLC	±																									
4	PLC	±																									
ANGLES		±																									
FINISH		±																									
MATERIAL SEE TABLE		APPLICATION SPEC		WEIGHT		REV																					
CUSTOMER DRAWING		SCALE 2:1		SHEET 3 OF 3		REV B																					