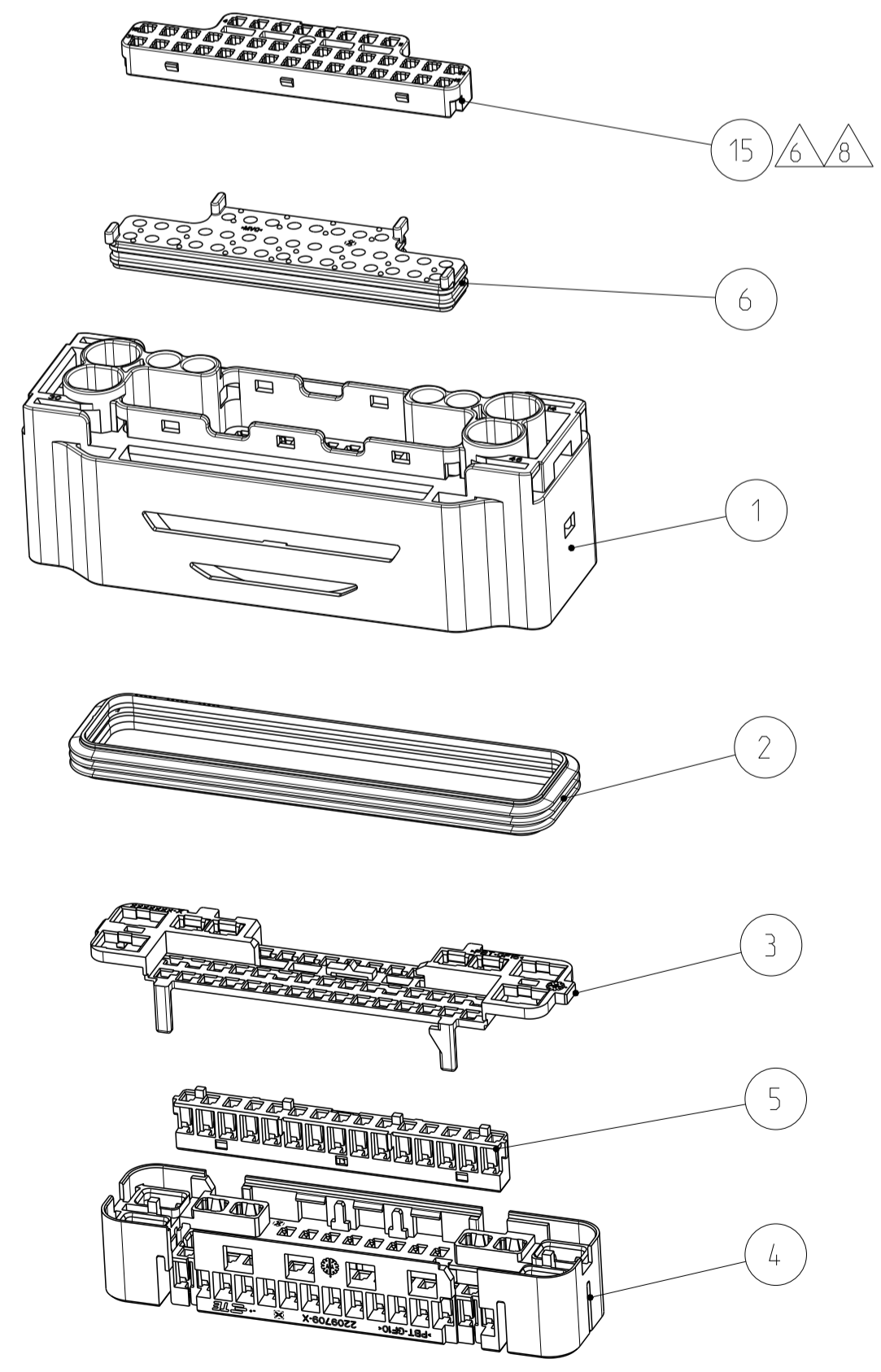
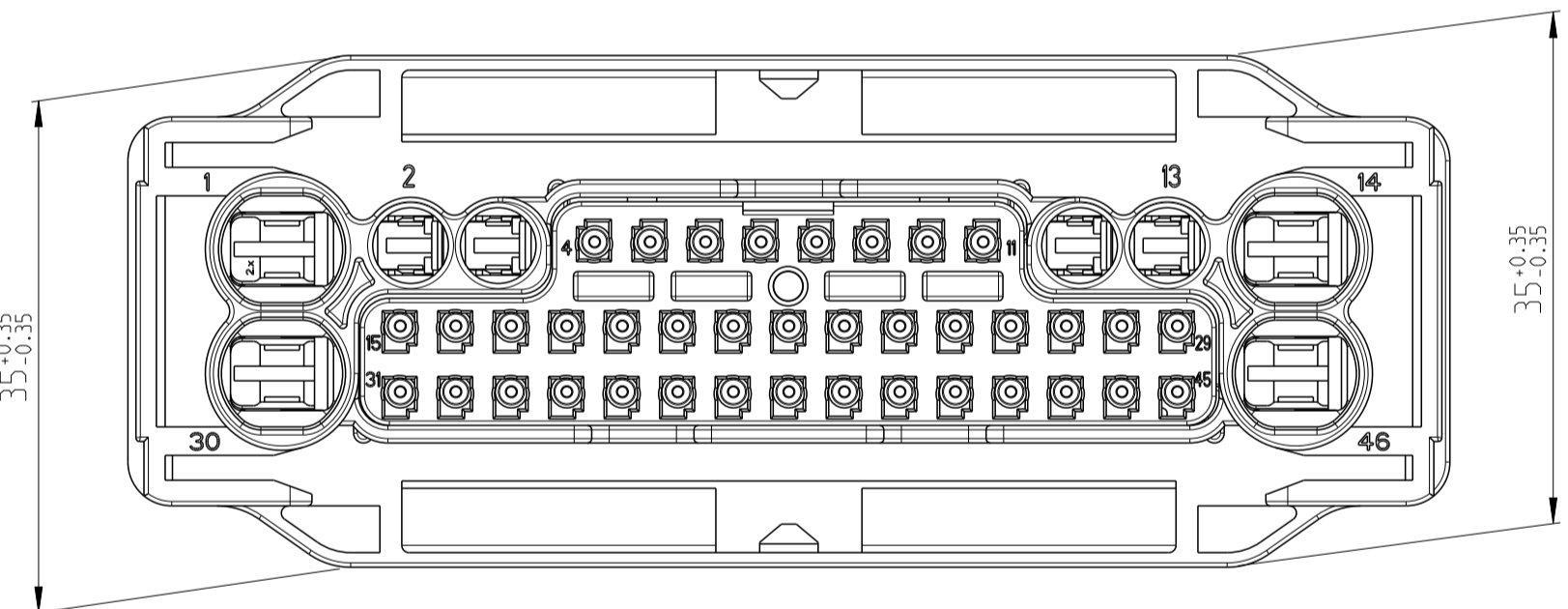
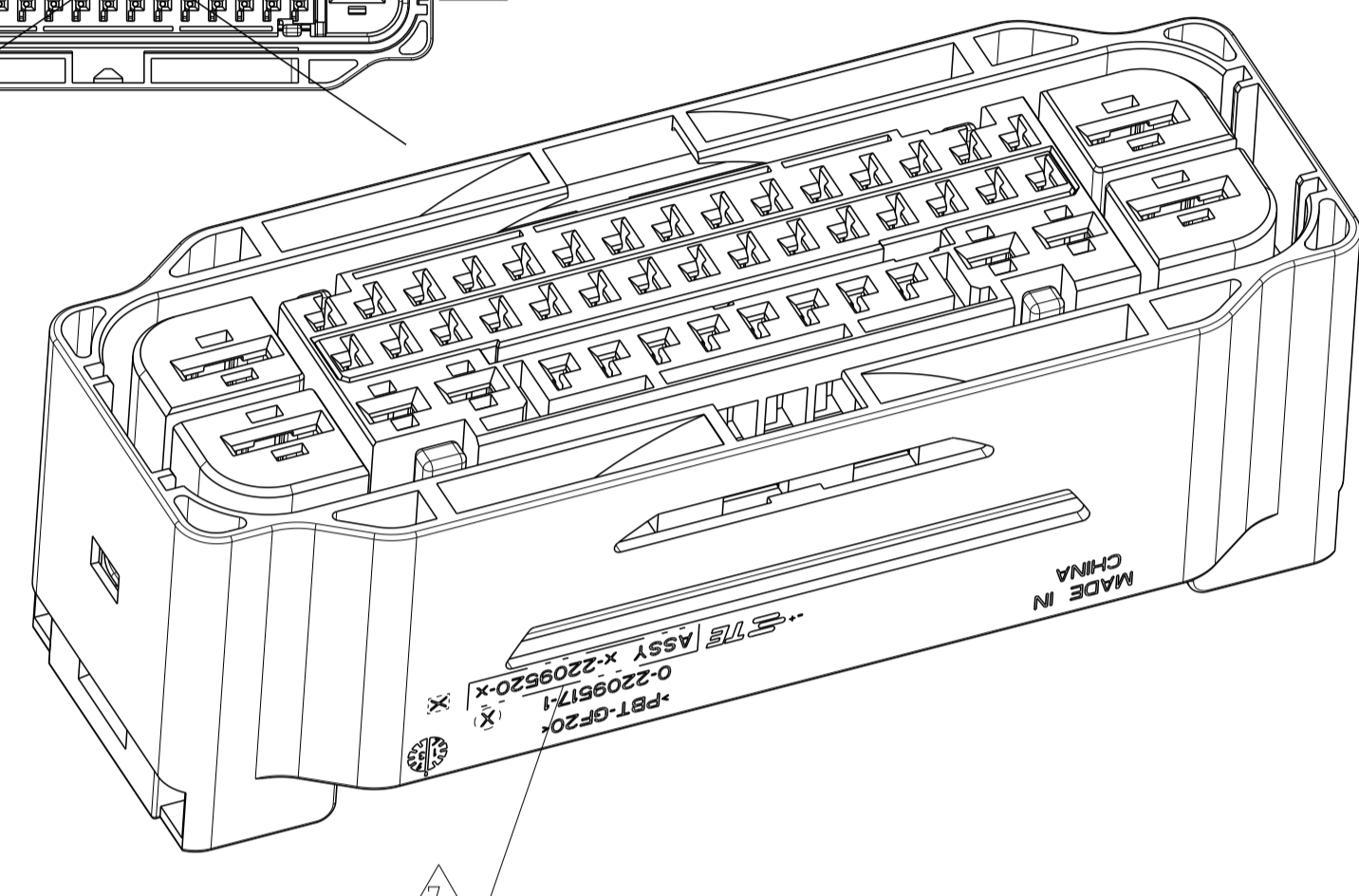
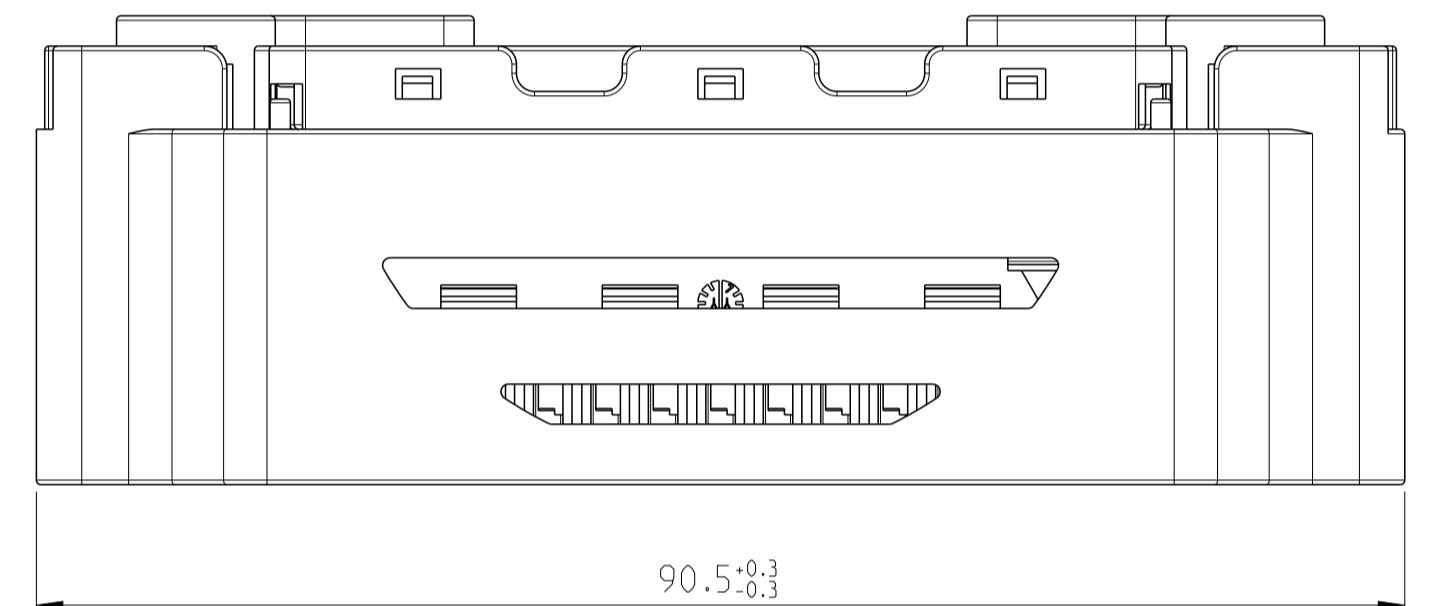
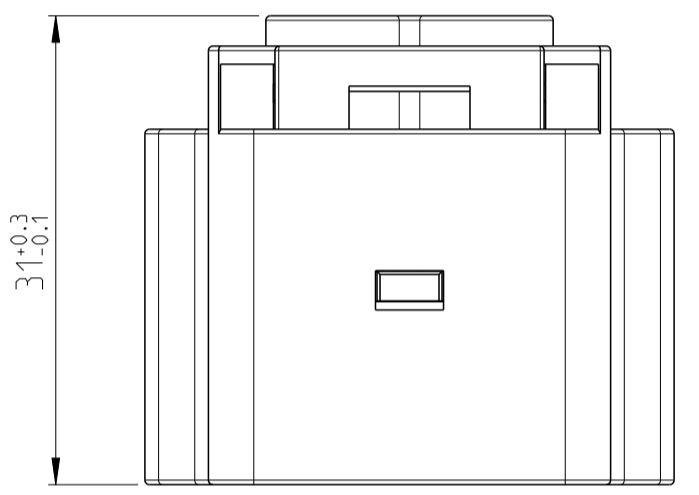
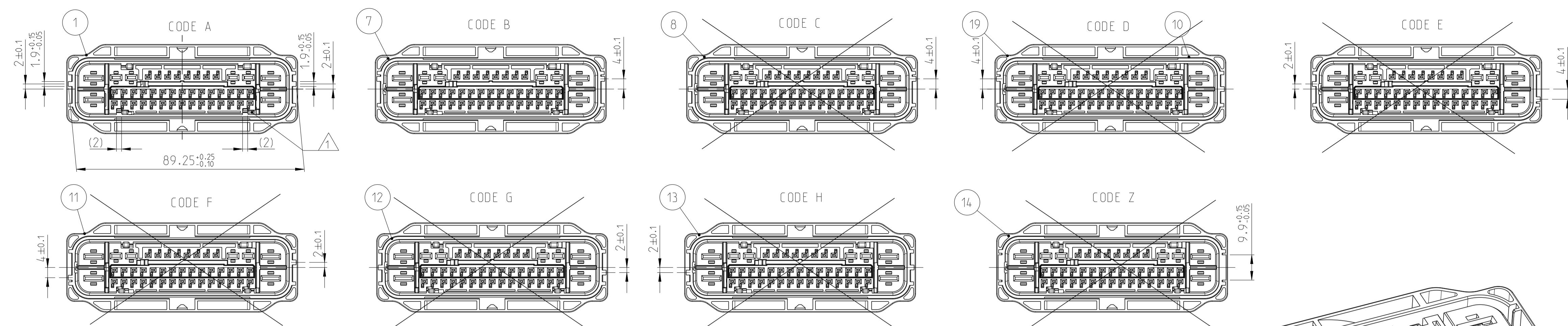


REVISONS		DATE	OWN	APPV
B23	ECR-23-185080 ADD NEW VARIANT	24AUG 23	S.X	J.Z
B24	ECR-23-189122 ADD NEW VARIANT	10OCT 23	S.X	J.Z
B25	ECR-23-195303	15DEC 23	S.X	J.Z
B26	ECR-24-204228 add variant PN	29MAR 24	S.X	J.Z



- NOTES**
- 1 RETAINER (3) IN PRE-LOCKED CONDITION
 - 2 USED WITH 2209521 (COVER ASSY)
 - 3 PACKING: LAYERS IN BOX
 - 4 TE ASSY NO., SEE TABLE
 - 5 SUITABLE CONTACTS, E.G.:
 MCON 1.2 CB 1534594-1 OR 2296537-1 FOR 0.35MM2,
 THE DETAIL SEE DRAWING NO. 1534326 AND ONLY
 FOR WIRE ISOLATION OD RANGE Ø1.10-1.90MM2

 AMP MCP 2.8K 1241394-1 FOR 0.5-1MM2,
 THE DETAIL SEE DRAWING NO. 1241437

 AMP MCP 4.8K 1241414-1 FOR 1.5-2.5MM2,
 WITH SWS 1394512-1
 AMP MCP 4.8K 1-1241418-3 FOR >4.0 - 6.0MM2
 WITH SWS 1719043-1
 THE DETAIL SEE DRAWING NO. 1241438
 - 6 FOR ITEM 15, DETAIL VARIANT(PIN OUT FORM) SEE TABLE OF PAGE 2
 - 7 ASSY P/N NEED LASER MARKING IN ASSY LINE

PN 9-2209520-1 Without SEAL COVER
 USED WITH: SEAL COVER X-2437354-X

COD	TE ASSY-NO	COLOR	MATERIAL	DESCRIPTION	QTY.	ITEM NO
A	9-2209520-1	LIGHT BLUE	SILICONE	FAMILY SEAL	1	6
		BLACK	PBT-GF10	CAVITY BLOCK	1	5
		BLACK	PBT-GF10	CAVITY BLOCK	1	4
		VIOLET	PBT-GF15	RETAINER	1	3
		NATURAL	SILICONE	SEALING	1	2
		BLACK	PBT-GF20	HOUSING 46 POS.	1	1

With SEAL COVER PN X-2209520-X
 MORE PINOUT CONFIGURATION INFORMATION SEES PAGE 2.

COD	TE ASSY-NO	COLOR	MATERIAL	DESCRIPTION	QTY.	ITEM NO
B	0-2209845-6	NATURAL	PBT-GF20	SEAL COVER	1	18
		LIGHT BLUE	SILICONE	FAMILY SEAL	1	6
		BLACK	PBT-GF10	CAVITY BLOCK	1	5
		BLACK	PBT-GF10	CAVITY BLOCK	1	4
		VIOLET	PBT-GF15	RETAINER	1	3
		NATURAL	SILICONE	SEALING	1	2
		BLACK	PBT-GF20	HOUSING 46 POS.	1	7
A	0-2209520-6	NATURAL	PBT-GF20	SEAL COVER	1	18
		LIGHT BLUE	SILICONE	FAMILY SEAL	1	6
		BLACK	PBT-GF10	CAVITY BLOCK	1	5
		BLACK	PBT-GF10	CAVITY BLOCK	1	4
		VIOLET	PBT-GF15	RETAINER	1	3
		NATURAL	SILICONE	SEALING	1	2
		BLACK	PBT-GF20	HOUSING 46 POS.	1	1
B	0-2209845-5	NATURAL	PBT-GF20	SEAL COVER	1	17
		LIGHT BLUE	SILICONE	FAMILY SEAL	1	6
		BLACK	PBT-GF10	CAVITY BLOCK	1	5
		BLACK	PBT-GF10	CAVITY BLOCK	1	4
		VIOLET	PBT-GF15	RETAINER	1	3
		NATURAL	SILICONE	SEALING	1	2
		BLACK	PBT-GF20	HOUSING 46 POS.	1	7
A	0-2209520-5	NATURAL	PBT-GF20	SEAL COVER	1	17
		LIGHT BLUE	SILICONE	FAMILY SEAL	1	6
		BLACK	PBT-GF10	CAVITY BLOCK	1	5
		BLACK	PBT-GF10	CAVITY BLOCK	1	4
		VIOLET	PBT-GF15	RETAINER	1	3
		NATURAL	SILICONE	SEALING	1	2
		BLACK	PBT-GF20	HOUSING 46 POS.	1	1
B	0-2209845-4	NATURAL	PBT-GF20	SEAL COVER	1	16
		LIGHT BLUE	SILICONE	FAMILY SEAL	1	6
		BLACK	PBT-GF10	CAVITY BLOCK	1	5
		BLACK	PBT-GF10	CAVITY BLOCK	1	4
		VIOLET	PBT-GF15	RETAINER	1	3
		NATURAL	SILICONE	SEALING	1	2
		BLACK	PBT-GF20	HOUSING 46 POS.	1	7
A	0-2209520-4	NATURAL	PBT-GF20	SEAL COVER	1	16
		LIGHT BLUE	SILICONE	FAMILY SEAL	1	6
		BLACK	PBT-GF10	CAVITY BLOCK	1	5
		BLACK	PBT-GF10	CAVITY BLOCK	1	4
		VIOLET	PBT-GF15	RETAINER	1	3
		NATURAL	SILICONE	SEALING	1	2
		BLACK	PBT-GF20	HOUSING 46 POS.	1	1
B	9-2209845-9	NATURAL	PBT-GF20	SEAL COVER	1	15
		LIGHT BLUE	SILICONE	FAMILY SEAL	1	6
		BLACK	PBT-GF10	CAVITY BLOCK	1	5
		BLACK	PBT-GF10	CAVITY BLOCK	1	4
		VIOLET	PBT-GF15	RETAINER	1	3
		NATURAL	SILICONE	SEALING	1	2
		BLACK	PBT-GF20	HOUSING 46 POS.	1	7
A	9-2209520-9	NATURAL	PBT-GF20	SEAL COVER	1	15
		LIGHT BLUE	SILICONE	FAMILY SEAL	1	6
		BLACK	PBT-GF10	CAVITY BLOCK	1	5
		BLACK	PBT-GF10	CAVITY BLOCK	1	4
		VIOLET	PBT-GF15	RETAINER	1	3
		NATURAL	SILICONE	SEALING	1	2
		BLACK	PBT-GF20	HOUSING 46 POS.	1	1

9 *-2209520-* IS SUZHOU VERSION PN THAT IS THE SIMILAR PERFORMANCE OF *-2112825-*

THIS DRAWING IS A CONTROLLED DOCUMENT.

APPROVED: J.ZONG 04-MAR-13
 CHK: A.DANG 04-MAR-13
 APVD: LYJIN 04-MAR-13

NAME: 46 POS REC HSG. ASSY
 MCON 1.2CB, MCP 2.8/4.8 mm

SIZE: 116-101047
 WEIGHT: 58.8g

SCALE: 1:1 SHEET 1 OF 3

REVISION: B26

ITEM 15 VARIANT	ORDER-NO.		CAVITY (X = CAVITY CLOSED)																																												
	CODING A	CODING B	4	5	6	7	8	9	10	11	15	16	17	18	19	20	21	22	23	24	25	26	27	28	29	31	32	33	34	35	36	37	38	39	40	41	42	43	44	45							
099	9-2209520-9	9-2209845-9	ALL PINS REMOVED																																												
098	9-2209520-8	9-2209845-8																																													
091	9-2209520-1		SEE NOTES																																												
***	***	***																																													
071	7-2209520-1		X	X	X	X	X							X	X	X						X	X																	X	X	X	X	X			
070	7-2209520-0				X									X	X	X					X	X			X	X				X	X	X	X	X	X	X	X	X	X				X	X	X		
069	6-2209520-9	6-2209845-9									X	X				X	X									X																X	X			X	X
WITHOUT MARKING	0-2209520-1	0-2209845-1	BASE PART																																												

LETTER "M" "N" MEANS THE VARIANT OF ITEM 15
 FOR EXAMPLE VARIANT 0 0 5, "M" IS "0", "N" IS "5"
 THE ASSY NO. IS 0-2209520-5 FOR COD A

COD	TE ASSY-NO	COLOR	MATERIAL	DESCRIPTION	QTY.	ITEM NO		
B	M-2209845-N	NATURAL	PBT-GF20	SEAL COVER	1	15		
		LIGHT BLUE	SILICONE	FAMILY SEAL	1	6		
		BLACK	PBT-GF10	CAVITY BLOCK	1	5		
		BLACK	PBT-GF10	CAVITY BLOCK	1	4		
		VIOLET	PBT-GF15	RETAINER	1	3		
A	M-2209520-N	NATURAL	PBT-GF20	SEAL COVER	1	7		
		LIGHT BLUE	SILICONE	FAMILY SEAL	1	2		
		BLACK	PBT-GF10	CAVITY BLOCK	1	5		
		BLACK	PBT-GF10	CAVITY BLOCK	1	4		
		VIOLET	PBT-GF15	RETAINER	1	3		
B	0-2209845-7	NATURAL	PBT-GF20	SEAL COVER	1	2		
		LIGHT BLUE	SILICONE	FAMILY SEAL	1	6		
		BLACK	PBT-GF10	CAVITY BLOCK	1	5		
		BLACK	PBT-GF10	CAVITY BLOCK	1	4		
		VIOLET	PBT-GF15	RETAINER	1	3		
A	0-2209520-7	NATURAL	PBT-GF20	SEAL COVER	1	2		
		LIGHT BLUE	SILICONE	FAMILY SEAL	1	6		
		BLACK	PBT-GF10	CAVITY BLOCK	1	5		
		BLACK	PBT-GF10	CAVITY BLOCK	1	4		
		VIOLET	PBT-GF15	RETAINER	1	3		
				NATURAL	SILICONE	SEALING	1	2
				BLACK	PBT-GF20	HOUSING 46 POS.	1	7
				NATURAL	PBT-GF20	SEAL COVER	1	15
				LIGHT BLUE	SILICONE	FAMILY SEAL	1	6
				BLACK	PBT-GF10	CAVITY BLOCK	1	5
				BLACK	PBT-GF10	CAVITY BLOCK	1	4
				VIOLET	PBT-GF15	RETAINER	1	3
				NATURAL	SILICONE	SEALING	1	2
				BLACK	PBT-GF20	HOUSING 46 POS.	1	1

THIS DRAWING IS A CONTROLLED DOCUMENT. DWN: J.ZONG 04-MAR-13
 CHK: A.DANG 04-MAR-13
 APVD: L.YIN 04-MAR-13

TOLERANCES UNLESS OTHERWISE SPECIFIED:
 0 PLC ±.1
 1 PLC ±.05
 2 PLC ±.02
 3 PLC ±.01
 4 PLC ±.005
 ANGLES ±.5°
 FINISH -

DIMENSIONS: mm

MATERIAL: SEE TABLE

NAME: 46 POS REC HSG. ASSY
 MCON 1.2CB, MCP 2.8/4.8 mm

SIZE: A1 CAGE CODE: 00779 DRAWING NO: 2209520 RESTRICTED TO: -
 WEIGHT: 58.8g SCALE: 1:1 SHEET 3 OF 3 REV: B26

CUSTOMER DRAWING

TE Connectivity