

GENERAL NOTES
allgemeine Bemerkungen

HEADER DESIGN BASED ON PLATFORM DESIGN OF "NANO-MQS MARKET SERIES"
ACC. TO SPECIFICATION C-114-94.160

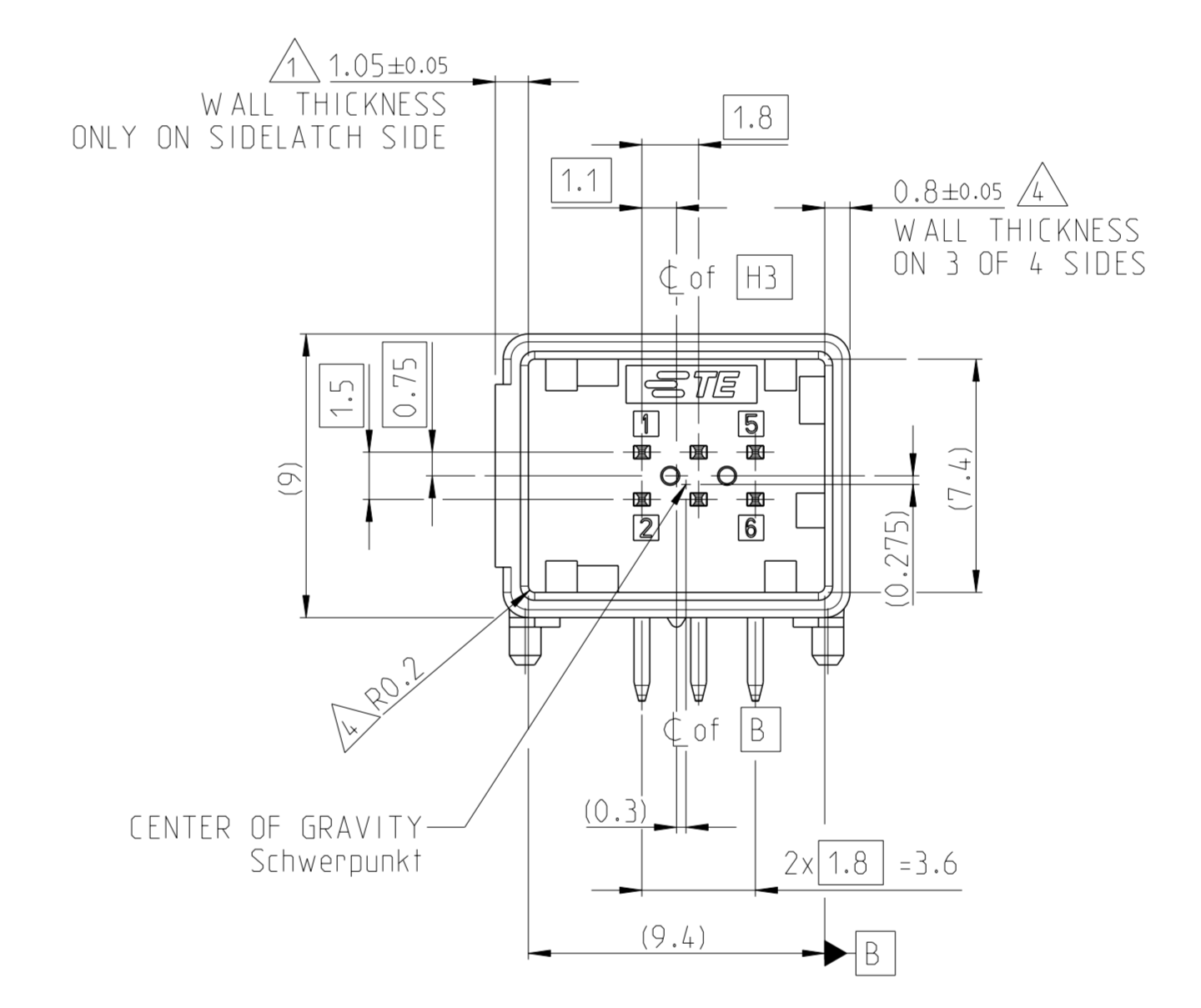
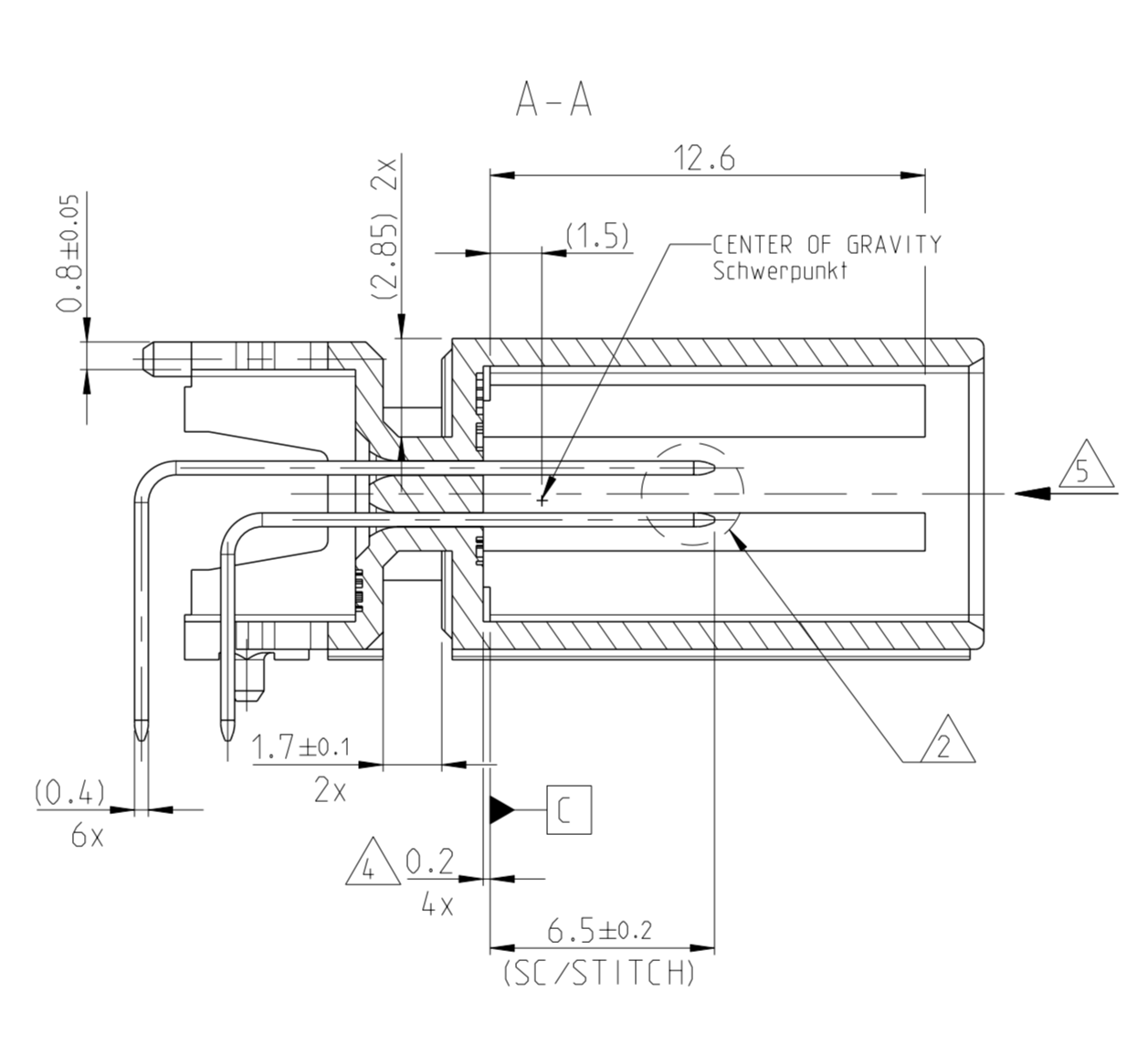
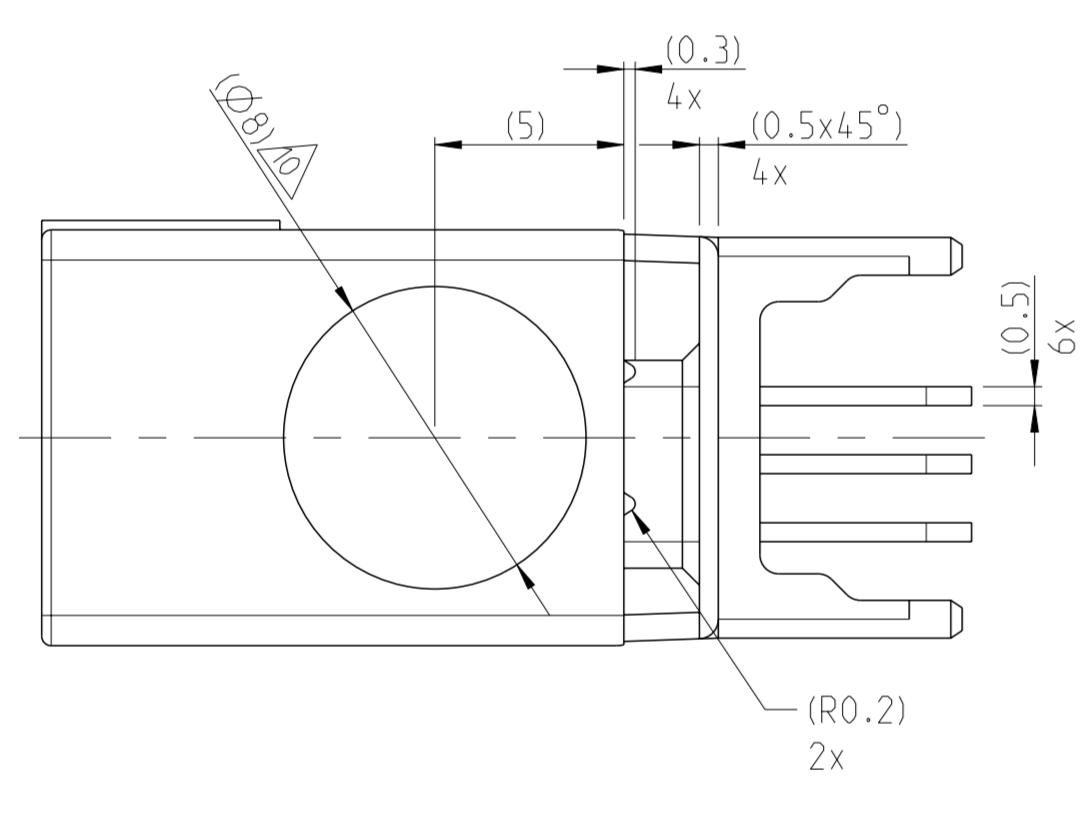
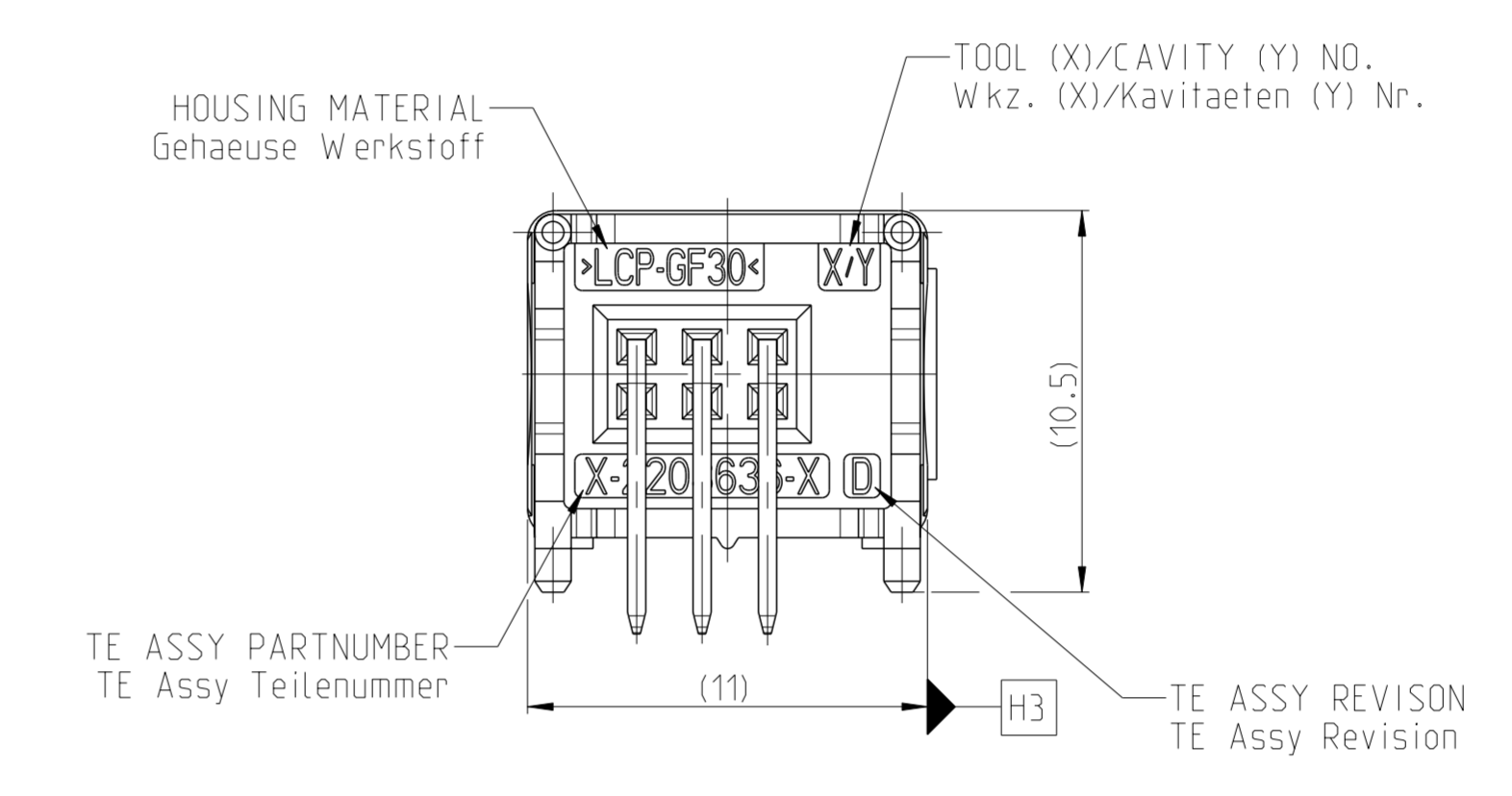
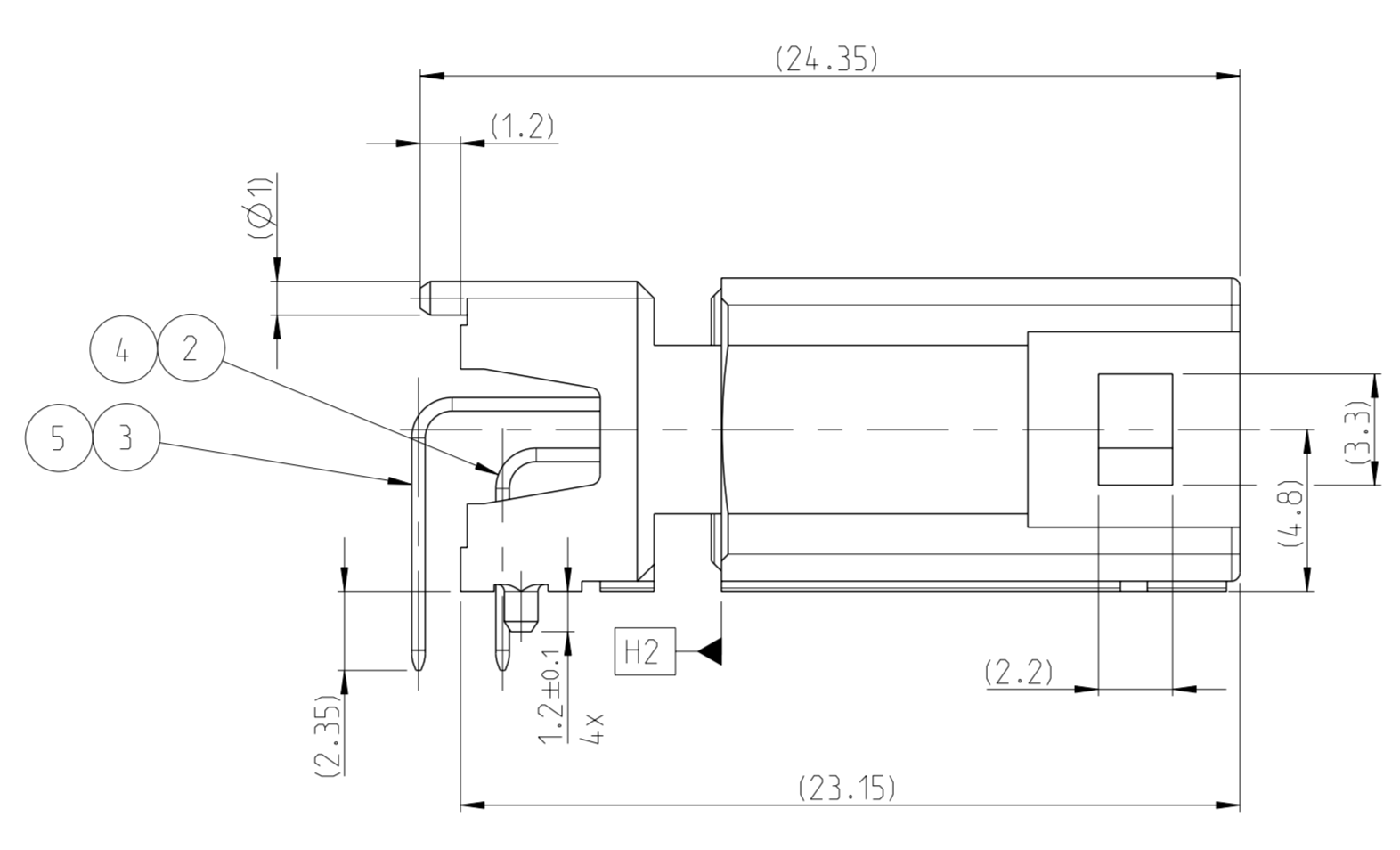
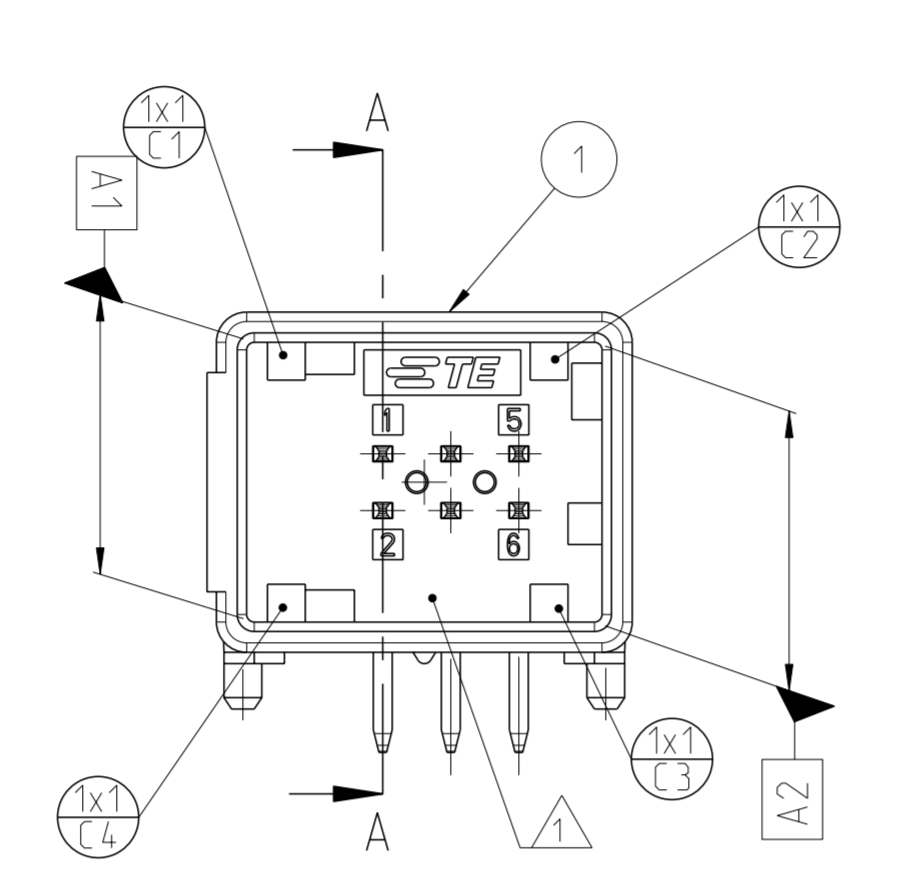
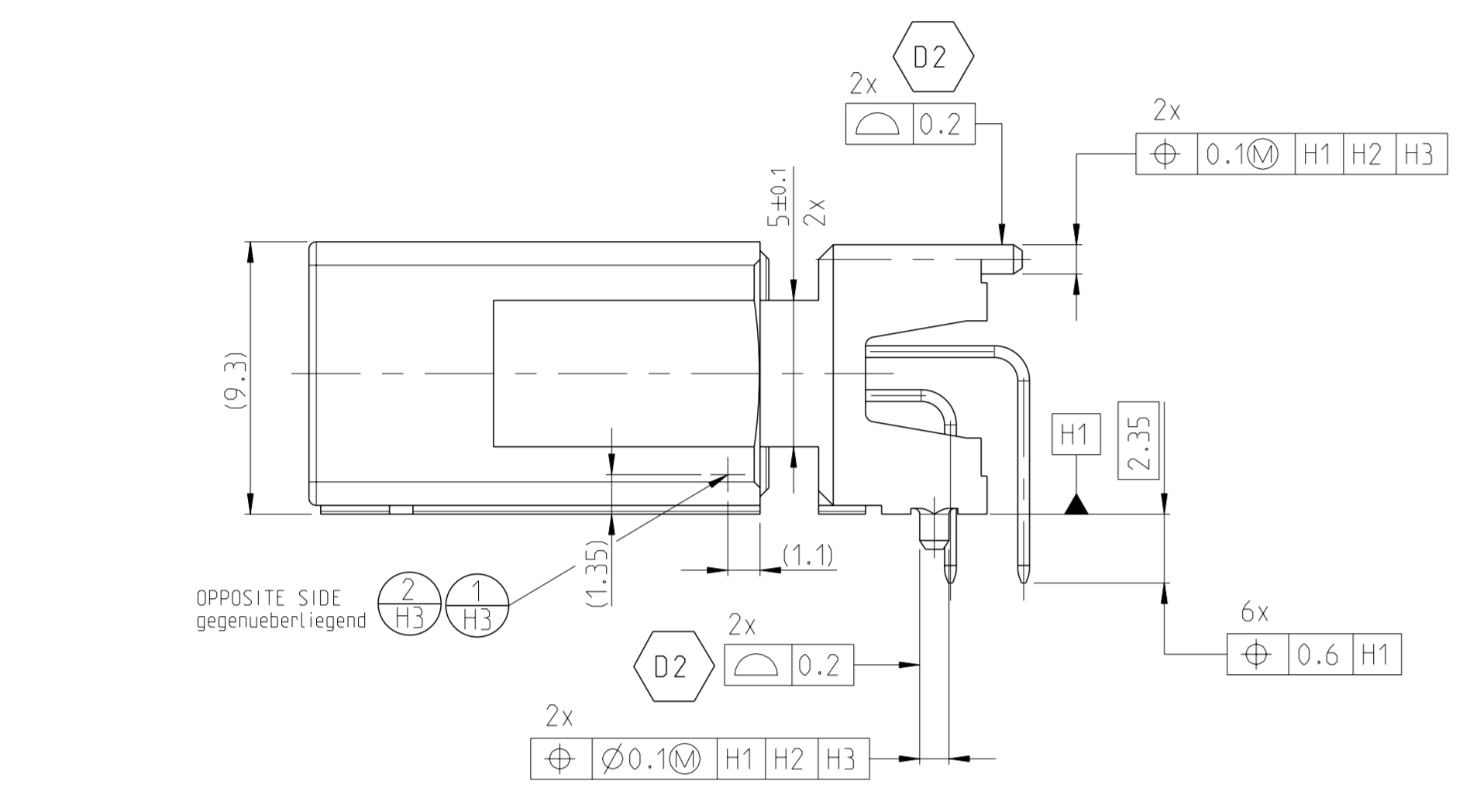
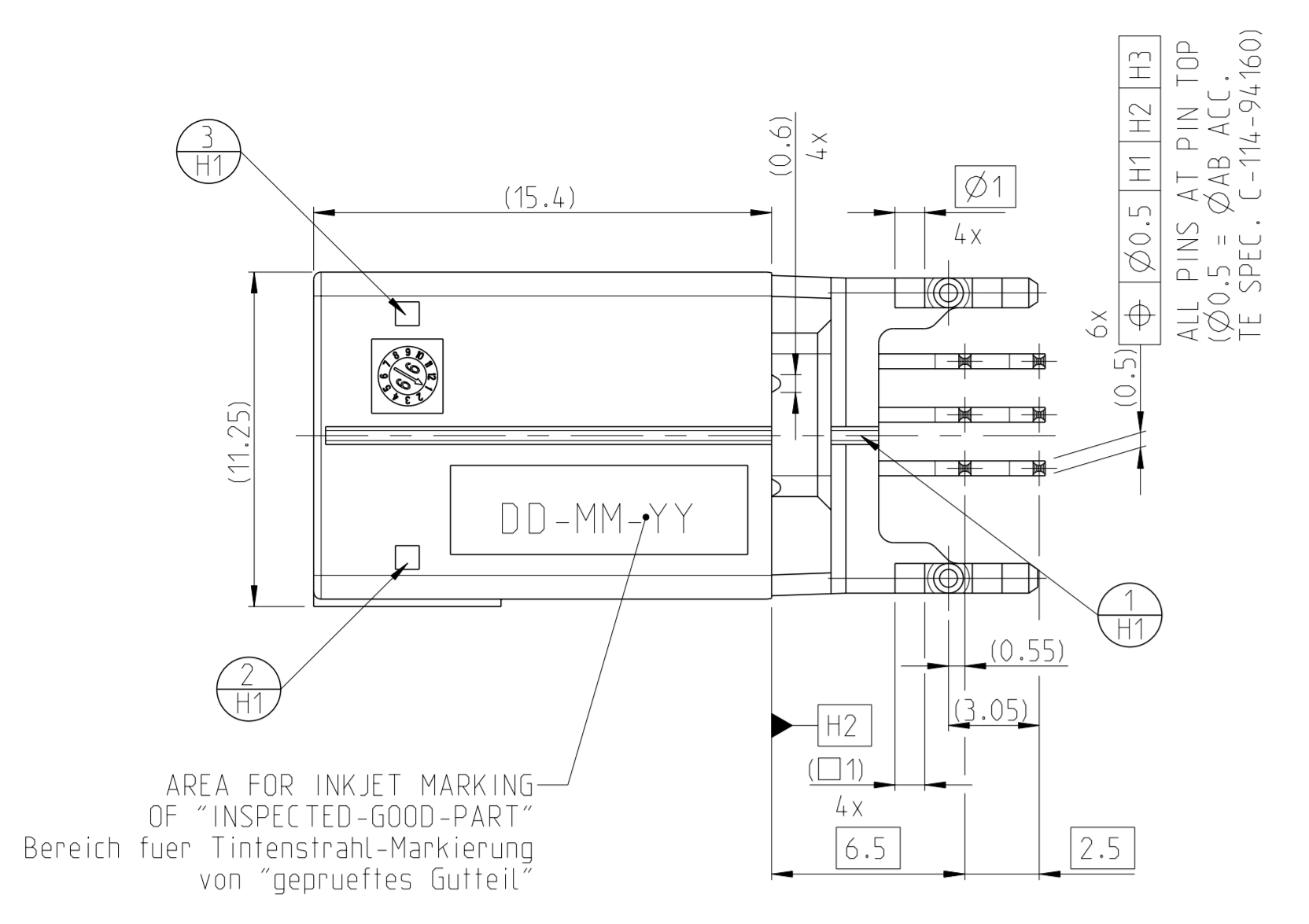
Stiftwannedesign basiert auf Plattformdesign der "Nano-MQS Market Serie"
gem. TE Spezifikation C-114-94.160

DATUMS 11, 12, 13 = INTERFACE --> HERE: A, B, C
DATUMS H1, H2, H3 = HEADER

NOTES
Bemerkungen

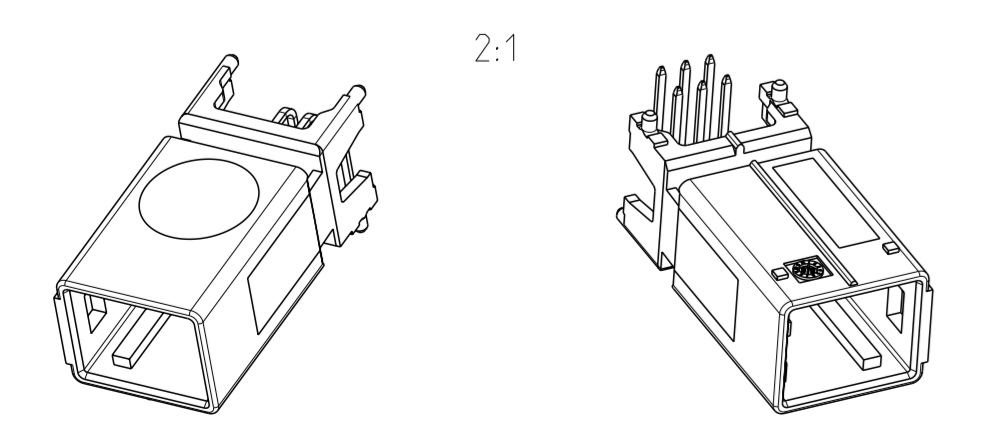
SEE FIRST PAGE
Siehe erste Seite

REV	DATE	BY	APPD	DESCRIPTION
1				
2				
3				
4				
5				
6				
7				
8				
9				
10				



AS SHOWN
1-2208636-1

TE Part No.	DESCRIPTION	REVISIONS
SUITABLE TO RECEPTACLE HSG passend zu Buchsenstecker TE Part No. 0-220838-1	CODING / Kodierung A PN 1-2208636-1	
SUITABLE TO RECEPTACLE HSG passend zu Buchsenstecker TE Part No. 2208636-CODE-B	CODING / Kodierung B	
SUITABLE TO RECEPTACLE HSG passend zu Buchsenstecker TE Part No. -	CODING / Kodierung C	
SUITABLE TO RECEPTACLE HSG passend zu Buchsenstecker TE Part No. -	CODING / Kodierung D	
SUITABLE TO RECEPTACLE HSG passend zu Buchsenstecker TE Part No. 0-220838-9 (ONLY PILOT)	CODING / Kodierung Z PN 8-2208636-9 ONLY PILOT NOT SERIAL	



QTY PER ASSY	REV	DESCRIPTION	ITEM NO	PRODUCTION
3	1	SOLDER SIDE	3	SERIAL
3	2	SOLDER SIDE	4	SERIAL
1	3	BLACK SIM. RAL 9011	1	SERIAL
-	-	-	3	PILOT
-	-	-	2	PILOT
1	4	BLACK SIM. RAL 9011	1	PILOT
-	-	FINISH	-	-

TOLERANCES UNLESS OTHERWISE SPECIFIED ACC. TO DIN 9130-ND CENTER TO NORMAL DIMENSION, EDITORIAL	DRAWN: 09DC12012	DATE: 09DC12012
PRODUCT CHARACTERISTICS ACC. GMP EMEA-12	APPROVED: 09DC12012	DATE: 09DC12012
PRODUCT CHARACTERISTICS ACC. GMP EMEA-12	APPROVED: 09DC12012	DATE: 09DC12012
THIS DRAWING IS A CONTROLLED DOCUMENT.	APPROVED: 09DC12012	DATE: 09DC12012
DIMENSIONS: 0 PLUS 3 MINUS 2 PLUS 1 PLUS 0.5 PLUS 0.2 PLUS 0.1	APPROVED: 09DC12012	DATE: 09DC12012
MATERIAL: SEE TABLE	APPROVED: 09DC12012	DATE: 09DC12012
WEIGHT: ca. 1.4g	APPROVED: 09DC12012	DATE: 09DC12012
Customer Drawing	APPROVED: 09DC12012	DATE: 09DC12012



6pos. 90DEG. PINHEADER ASSY
600L 90Grad. Stiftwanne Assy
NANO MQS

SCALE: 5:1
SHEET 2 of 2