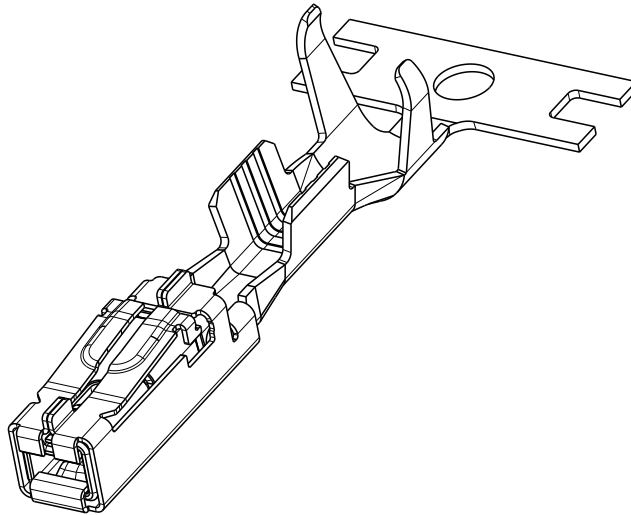


REVISIONS					
P	LTR	DESCRIPTION	DATE	DWN	APVD
	A	NEW DRAWING	10APR2014	DR	WD



FOR THE LATEST INFORMATION
SEE PRODUCT GROUP DRAWING
2282325

Aktuelle Produktinformationen
siehe Produktgruppenzeichnung
2282325

2014


RELEASED FOR PUBLICATION

ALL RIGHTS RESERVED.

Tyco Electronics AMP GmbH

© COPYRIGHT 2014

THIS DRAWING IS UNPUBLISHED.

DIMENSIONS: --		DWN D.Rosan 10APR2014	MATERIAL -	FINISH -			
TOLERANCES UNLESS OTHERWISE SPECIFIED: 0 PLC ± 1 PLC ± 2 PLC ± 3 PLC ± 4 PLC ± ANGLES ±		CHK W.Dietrich 10APR2014	 TE Connectivity				
		APVD -					
		PRODUCT SPEC -	NAME HPF1.2 SENSORCONTACT WIRE RANGE 0.75mm AND 1.00mm				
		APPLICATION SPEC -	SIZE A 4	CAGE CODE 00779	DRAWING NO C=2208360	RESTRICTED TO -	
		WEIGHT -	Customer Drawing		SCALE 5:1	SHEET 1 OF 1	REV A