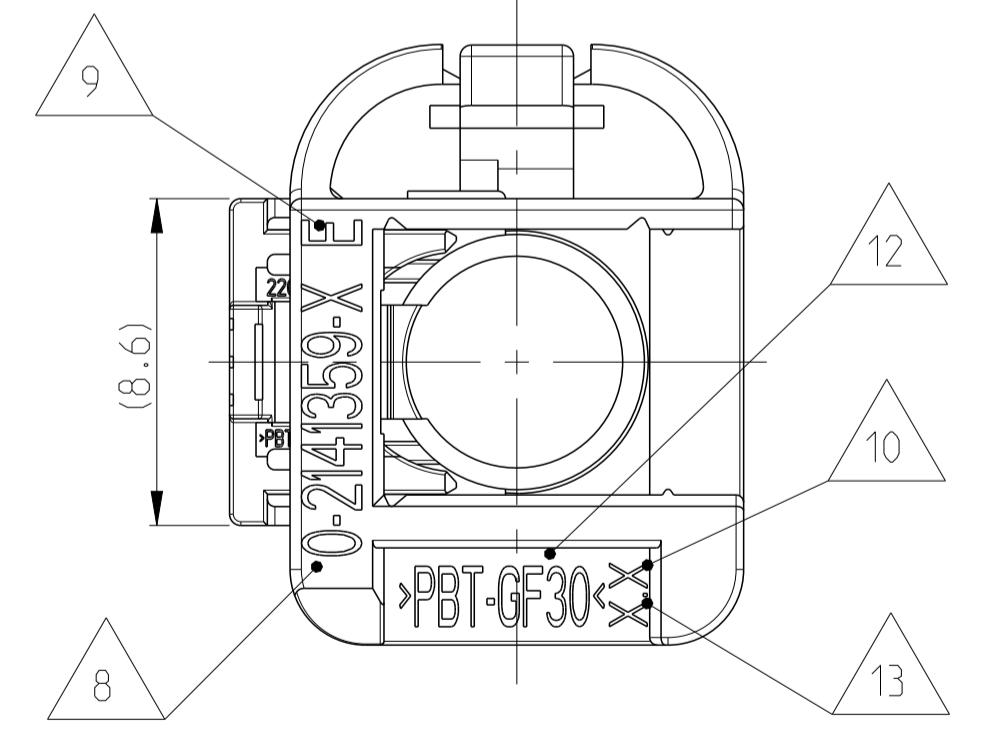
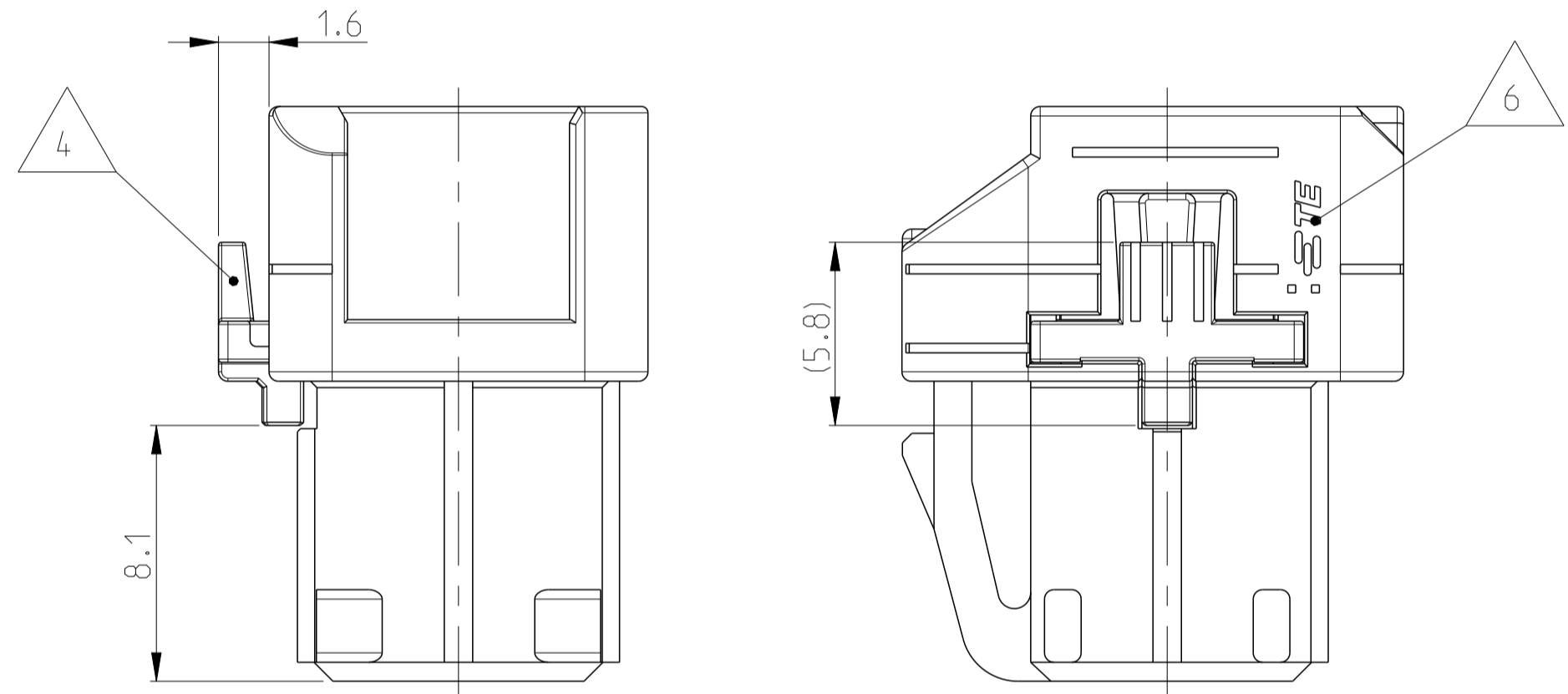
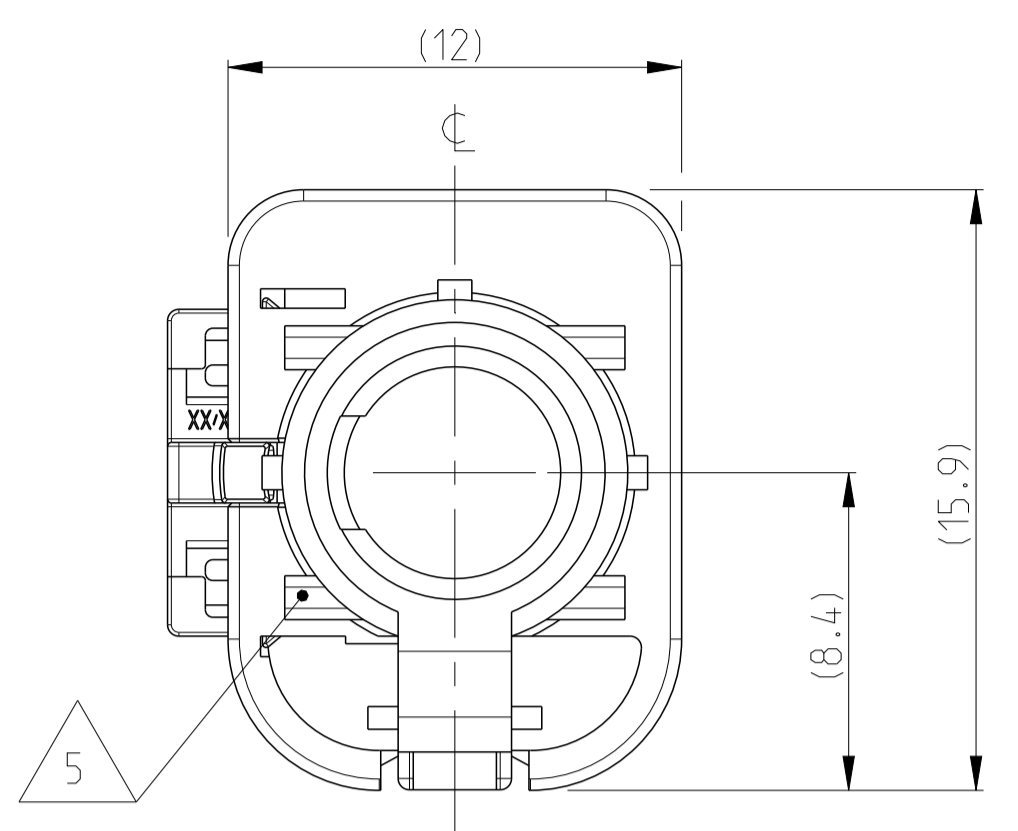
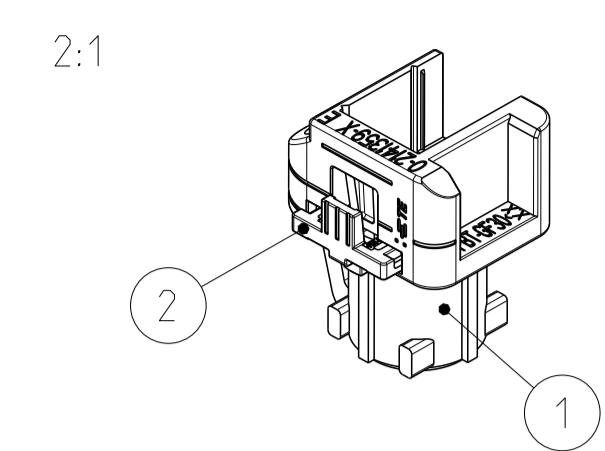


- NOTES
 Bemerkungen
- PACKAGING: LOOSE PIECE
 Verpackung als Schuetzgut
 - DETAILS OF DESIGN ARE LEFT TO TE CONNECTIVITY
 Einzelheiten der Ausfuehrung bleiben TE Connectivity uebertlassen
 - ALL DIMENSIONS IN BRACKETS () ONLY FOR INFORMATION
 Alle Maesse in () nur zur Information
 - CONDITION AS SUPPLIED: RETAINER IN PRE LOCKED POSITION
 Lieferzustand: Verriegelung in Vorraststellung
 - ALL CODINGS RIBS SHOWN
 Alle Kodierrippen dargestellt
 - TE CONNECTIVITY LOGO
 TE Connectivity Logo
 - ORDER-NUMBER
 Bestell-Nummer
 - PART NUMBER SINGLE PART
 Teilenummer Einzelteil
 - REVISION-NUMBER SINGLE PART
 Werkzeugaenderungsindex Einzelteil
 - CAVITY NUMBER SINGLE PART
 Kammernummerierung Einzelteil
 - PRODUCTION-DATE
 Produktions-Datum
 - MATERIAL MARKING
 Werkstoffkennzeichnung
 - TOOL CAVITY MARKING SINGLE PART
 Werkzeugnestmarkierung
 - SUITABLE CONTACTS: 2236774-X, 2294039-X
 Passende Kontakte: 2236774-X, 2294039-X
 - SUITABLE MATING PARTS:
 PCB-HEADERS: X-1823071-X; X-1823271-X; X-2286546-X; X-2286547-X; X-2288754-X; X-2286797-X;
 PARTS ACC. TO TE INTERFACE 114-18950
 Passender Gegenstecker: 1823071-X
 PCB-Headers: X-1823071-X; X-1823271-X; X-2286546-X; X-2286547-X; X-2288754-X; X-2286797-X;
 Teile nach TE Schnittstelle 114-18950
 - IN CASE RETAINER IS UNINTENTIONALLY SET IN END POSITION
 BEFORE LOADING HSD CAVITY WITH CONTACT, RETAINER CAN
 BE RESET TO PRE LOCK POSITION WITH EXTRACTION TOOL
 PN 4-1579028-1 ACCORDING APPLICATION SPEC 114-94.117
 Falls der Retainer in Endraststellung ist, bevor der Kontakt montiert wurde,
 kann er mit dem Ausdrueckwerkzeug PN 4-1579028-1, nach Anwendungs-
 spezifikation 114-94.117 wieder in Vorraststellung gebracht werden



VIEW RETAINER IN PRE-POSITION
 Ansicht Kontaktsicherung in Vorraststellung



DIRECTION (CABLE OUTLET)	TE ASSY-PN	REV.	HOUSING CODING	DESCRIPTION	COLOUR SIMILAR RAL	MATERIAL	WEIGHT [g]	POS.
LEFT TURNED	5-2208145-7	7	B	M	RETAINER	TRAFIC PURPLE / 4006	PBT-GF10	2
				L	CODING COVER	PASTEL ORANGE / 2003	PBT-GF30	1
	5-2208145-6	7	B	L	RETAINER	TRAFIC PURPLE / 4006	PBT-GF10	2
				J	CODING COVER	YELLOW GREEN / 6018	PBT-GF30	1
	5-2208145-5	7	B	K	RETAINER	TRAFIC PURPLE / 4006	PBT-GF10	2
				H	CODING COVER	CURRY / 1027	PBT-GF30	1
	5-2208145-4	7	B	J	RETAINER	TRAFIC PURPLE / 4006	PBT-GF10	2
				G	CODING COVER	BEIGE / 1001	PBT-GF30	1
	5-2208145-3	7	B	H	RETAINER	TRAFIC PURPLE / 4006	PBT-GF10	2
				G	CODING COVER	VIOLET / 4003	PBT-GF30	1
	5-2208145-2	7	B	G	RETAINER	TRAFIC PURPLE / 4006	PBT-GF10	2
				O	CODING COVER	GREY / 7031	PBT-GF30	1
	5-2208145-1	7	B	O	RETAINER	TRAFIC PURPLE / 4006	PBT-GF10	2
				O	CODING COVER	LIGHT GREEN / 6027	PBT-GF30	1

DIRECTION (CABLE OUTLET)	TE ASSY-PN	REV.	HOUSING CODING	DESCRIPTION	COLOUR SIMILAR RAL	MATERIAL	WEIGHT [g]	POS.
RIGHT TURNED	4-2208145-7	7	B	M	RETAINER	TRAFIC PURPLE / 4006	PBT-GF10	2
				L	CODING COVER	PASTEL ORANGE / 2003	PBT-GF30	1
	4-2208145-6	7	B	L	RETAINER	TRAFIC PURPLE / 4006	PBT-GF10	2
				J	CODING COVER	YELLOW GREEN / 6018	PBT-GF30	1
	4-2208145-5	7	B	K	RETAINER	TRAFIC PURPLE / 4006	PBT-GF10	2
				H	CODING COVER	CURRY / 1027	PBT-GF30	1
	4-2208145-4	7	B	J	RETAINER	TRAFIC PURPLE / 4006	PBT-GF10	2
				G	CODING COVER	BEIGE / 1001	PBT-GF30	1
	4-2208145-3	7	B	H	RETAINER	TRAFIC PURPLE / 4006	PBT-GF10	2
				G	CODING COVER	VIOLET / 4003	PBT-GF30	1
	4-2208145-2	7	B	G	RETAINER	TRAFIC PURPLE / 4006	PBT-GF10	2
				O	CODING COVER	GREY / 7031	PBT-GF30	1
	4-2208145-1	7	B	O	RETAINER	TRAFIC PURPLE / 4006	PBT-GF10	2
				O	CODING COVER	LIGHT GREEN / 6027	PBT-GF30	1
UP	3-2208145-7	7	B	M	RETAINER	TRAFIC PURPLE / 4006	PBT-GF10	2
				L	CODING COVER	PASTEL ORANGE / 2003	PBT-GF30	1
	3-2208145-6	7	B	L	RETAINER	TRAFIC PURPLE / 4006	PBT-GF10	2
				K	CODING COVER	YELLOW GREEN / 6018	PBT-GF30	1
	3-2208145-5	7	B	K	RETAINER	TRAFIC PURPLE / 4006	PBT-GF10	2
				H	CODING COVER	CURRY / 1027	PBT-GF30	1
	3-2208145-4	7	B	J	RETAINER	TRAFIC PURPLE / 4006	PBT-GF10	2
				G	CODING COVER	BEIGE / 1001	PBT-GF30	1
	3-2208145-3	7	B	H	RETAINER	TRAFIC PURPLE / 4006	PBT-GF10	2
				G	CODING COVER	VIOLET / 4003	PBT-GF30	1
	3-2208145-2	7	B	G	RETAINER	TRAFIC PURPLE / 4006	PBT-GF10	2
				O	CODING COVER	GREY / 7031	PBT-GF30	1
	3-2208145-1	7	B	O	RETAINER	TRAFIC PURPLE / 4006	PBT-GF10	2
				O	CODING COVER	LIGHT GREEN / 6027	PBT-GF30	1
DOWN	2-2208145-7	7	B	F	RETAINER	TRAFIC PURPLE / 4006	PBT-GF10	2
				E	CODING COVER	BROWN / 8011	PBT-GF30	1
	2-2208145-6	7	B	E	RETAINER	TRAFIC PURPLE / 4006	PBT-GF10	2
				D	CODING COVER	GREEN / 6002	PBT-GF30	1
	2-2208145-5	7	B	D	RETAINER	TRAFIC PURPLE / 4006	PBT-GF10	2
				C	CODING COVER	BORDEAUX / 4004	PBT-GF30	1
	2-2208145-4	7	B	C	RETAINER	TRAFIC PURPLE / 4006	PBT-GF10	2
				B	CODING COVER	BLUE / 5005	PBT-GF30	1
	2-2208145-3	7	B	B	RETAINER	TRAFIC PURPLE / 4006	PBT-GF10	2
				A	CODING COVER	WHITE / 9001	PBT-GF30	1
	2-2208145-2	7	B	A	RETAINER	TRAFIC PURPLE / 4006	PBT-GF10	2
				Z	CODING COVER	BLACK / 9005	PBT-GF30	1
	2-2208145-1	7	B	Z	RETAINER	TRAFIC PURPLE / 4006	PBT-GF10	2
				Z	CODING COVER	WHITE / 9001	PBT-GF30	1
LEFT	1-2208145-7	7	B	F	RETAINER	TRAFIC PURPLE / 4006	PBT-GF10	2
				E	CODING COVER	BROWN / 8011	PBT-GF30	1
	1-2208145-6	7	B	E	RETAINER	TRAFIC PURPLE / 4006	PBT-GF10	2
				D	CODING COVER	GREEN / 6002	PBT-GF30	1
	1-2208145-5	7	B	D	RETAINER	TRAFIC PURPLE / 4006	PBT-GF10	2
				C	CODING COVER	BORDEAUX / 4004	PBT-GF30	1
	1-2208145-4	7	B	C	RETAINER	TRAFIC PURPLE / 4006	PBT-GF10	2
				B	CODING COVER	BLUE / 5005	PBT-GF30	1
	1-2208145-3	7	B	B	RETAINER	TRAFIC PURPLE / 4006	PBT-GF10	2
				A	CODING COVER	WHITE / 9001	PBT-GF30	1
	1-2208145-2	7	B	A	RETAINER	TRAFIC PURPLE / 4006	PBT-GF10	2
				Z	CODING COVER	BLACK / 9005	PBT-GF30	1
	1-2208145-1	7	B	Z	RETAINER	TRAFIC PURPLE / 4006	PBT-GF10	2
				Z	CODING COVER	WHITE / 9001	PBT-GF30	1
RIGHT	0-2208145-7	7	B	F	RETAINER	TRAFIC PURPLE / 4006	PBT-GF10	2
				E	CODING COVER	BROWN / 8011	PBT-GF30	1
	0-2208145-6	7	B	E	RETAINER	TRAFIC PURPLE / 4006	PBT-GF10	2
				D	CODING COVER	GREEN / 6002	PBT-GF30	1
	0-2208145-5	7	B	D	RETAINER	TRAFIC PURPLE / 4006	PBT-GF10	2
				C	CODING COVER	BORDEAUX / 4004	PBT-GF30	1
	0-2208145-4	7	B	C	RETAINER	TRAFIC PURPLE / 4006	PBT-GF10	2
				B	CODING COVER	BLUE / 5005	PBT-GF30	1
	0-2208145-3	7	B	B	RETAINER	TRAFIC PURPLE / 4006	PBT-GF10	2
				A	CODING COVER	WHITE / 9001	PBT-GF30	1
	0-2208145-2	7	B	A	RETAINER	TRAFIC PURPLE / 4006	PBT-GF10	2
				Z	CODING COVER	BLACK / 9005	PBT-GF30	1
	0-2208145-1	7	B	Z	RETAINER	TRAFIC PURPLE / 4006	PBT-GF10	2
				Z	CODING COVER	WHITE / 9001	PBT-GF30	1

X-...-X WITH ALL CODINGS AS SHOWN/
 wie gezeichnet

THIS DRAWING IS A CONTROLLED DOCUMENT. DWG: L. Nguyen 29AUG2012
 CHK: D. Fueck 30AUG2012

DIMENSIONS: mm
 TOLERANCES UNLESS OTHERWISE SPECIFIED:
 0 PLC ±0.3
 1 PLC ±0.3
 2 PLC ±0.3
 3 PLC ±0.3
 4 PLC ±0.3
 ANGLES ±0.2

MATERIAL: SEE TABLE
 FINISH: -

WEIGHT: SEE TABLE
 SCALE: 5:1

Customer Drawing

TE Connectivity
 NAME: 4POS. HSD90. JACK HOUSING. SUB-ASSY
 4pol. HSD90 Buchsengeh.. Zusammenbau

SIZE: 114-94.117
 CAGE CODE: 07079
 DRAWING NO: A1
 SHEET: 1 OF 1

RESTRICTED TO: B4