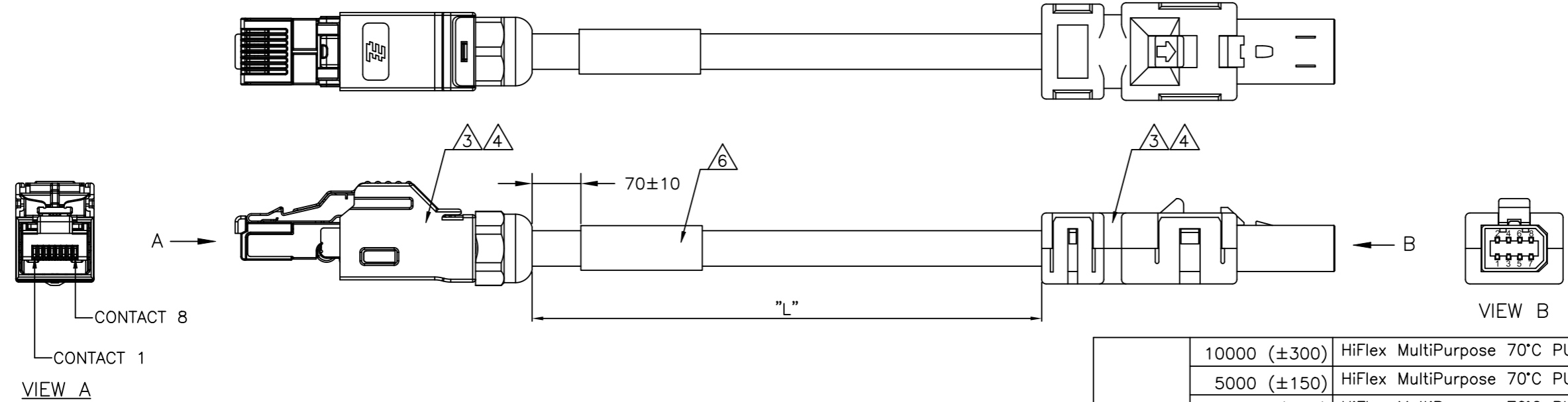


THIS DRAWING IS UNPUBLISHED. RELEASED FOR PUBLICATION
 © COPYRIGHT - By - ALL RIGHTS RESERVED.

REVISIONS				
P	LTR	DESCRIPTION	DATE	DWN APVD
A2		ECR-21-103323	19MAY2021	NT JDB
A1		ECR-17-001194	31JAN2017	RK PFR



NOTES:

- 1 PACKAGING: ACC. TO TE SPEC. 107-18064
- 2 ELECTRICAL TEST ACCORDING TE SPECIFICATION 108-18857.
SHORT-CIRCUIT AND CONTINUITY TEST AT 500V DC, 0.1s
- 3 KEEP THE DIRECTION OF CONNECTOR TO THE CABLE ON BOTH SIDE THE SAME
- 4 WIRING SCHEMA ACC. TO TIA/EIA-568-B AS SHOWN IN WIRING SCHEDULE
- 5 PROP 65 WARNING LABEL: SEE SHEET 2
- 6 LABEL TEXT:
TE CONNECTIVITY
WW/YY/PRODUCTION LOCATION CODE

WIRING SCHEDULE 4

CAVITY SIDE A	COLOR	CAVITY SIDE B
1	WH/OG	1
2	OG	2
3	WH/GN	3
4	BU	4
5	WH/BU	5
6	GN	6
7	WH/BN	7
8	BN	8

5	10000 (±300)	HiFlex MultiPurpose 70°C PUR	2-2205133-6
	5000 (±150)	HiFlex MultiPurpose 70°C PUR	2-2205133-5
	3000 (±50)	HiFlex MultiPurpose 70°C PUR	2-2205133-4
	2000 (±25)	HiFlex MultiPurpose 70°C PUR	2-2205133-3
	1000 (±15)	HiFlex MultiPurpose 70°C PUR	2-2205133-2
	500 (±10)	HiFlex MultiPurpose 70°C PUR	2-2205133-1
OBSOLETE	10000 (±300)	HI 125°C TPE	1-2205133-6
	5000 (±150)	HI 125°C TPE	1-2205133-5
	3000 (±50)	HI 125°C TPE	1-2205133-4
	2000 (±25)	HI 125°C TPE	1-2205133-3
	1000 (±15)	HI 125°C TPE	1-2205133-2
	500 (±10)	HI 125°C TPE	1-2205133-1
	10000 (±300)	STD 110°C PVC	2205133-6
	5000 (±150)	STD 110°C PVC	2205133-5
	3000 (±50)	STD 110°C PVC	2205133-4
	2000 (±25)	STD 110°C PVC	2205133-3
1000 (±15)	STD 110°C PVC	2205133-2	
500 (±10)	STD 110°C PVC	2205133-1	
	Length "L"	Cable version	TE PN

THIS DRAWING IS A CONTROLLED DOCUMENT.		DWN 05FEB2015 SATHISH KUMAR .G		
		CHK 05FEB2015 B.VELDHOVEN		
DIMENSIONS: mm		APVD 05FEB2015 A.VAN ZANDVOORT	NAME CA MINI IO TYPE I IND RJ45	
TOLERANCES UNLESS OTHERWISE SPECIFIED: 0 PLC ± - 1 PLC ± - 2 PLC ± - 3 PLC ± - 4 PLC ± - ANGLES ± 1°		PRODUCT SPEC 108-78955	RESTRICTED TO	
MATERIAL		APPLICATION SPEC 114-5506	SIZE A3	CAGE CODE 00779
FINISH		WEIGHT	DRAWING NO C=2205133	
PRODUCT CHARACTERISTIC ACC. OMP EMEA_12 BESONDERE MERKMALE NACH OMP EMEA_12		CUSTOMER DRAWING		SCALE NTS
		SHEET 1 OF 2		REV A2

4

3

2

1

THIS DRAWING IS UNPUBLISHED.

RELEASED FOR PUBLICATION

ALL RIGHTS RESERVED.

© COPYRIGHT - By -


REVISIONS

P	LTR	DESCRIPTION	DATE	DWN	APVD
-	-	SEE SHEET 1	-	-	-


NOTES: CONTINUATION FROM SHEET 1:

△ PROP 65 WARNING LABEL:

- THE WARNING LABEL ON THE PRODUCT OR LOWEST LEVEL PACKAGING
- CHEMICAL NAME: ANTIMONY TRIOXIDE



WARNING: This product can expose you to chemicals including ANTIMONY TRIOXIDE which is known to the state of California to cause cancer. For more information, visit www.P65Warnings.ca.gov.

THIS DRAWING IS A CONTROLLED DOCUMENT.		DWN SATHISH KUMAR .G 05FEB2015	 TE Connectivity	
		CHK B.VELDHOVEN 05FEB2015		
DIMENSIONS: mm		APVD A.VAN ZANDVOORT 05FEB2015	NAME CA MINI IO TYPE I IND RJ45	
TOLERANCES UNLESS OTHERWISE SPECIFIED:		PRODUCT SPEC 108-78955		
0 PLC ± -		APPLICATION SPEC 114-5506	SIZE A3	CAGE CODE 00779
1 PLC ± -		WEIGHT 0.000000	DRAWING NO C=2205133	RESTRICTED TO -
2 PLC ± -				
3 PLC ± -		CUSTOMER DRAWING		
4 PLC ± -		SCALE NTS SHEET 2 OF 2 REV A2		
ANGLES ± 1°				
MATERIAL -	FINISH -			