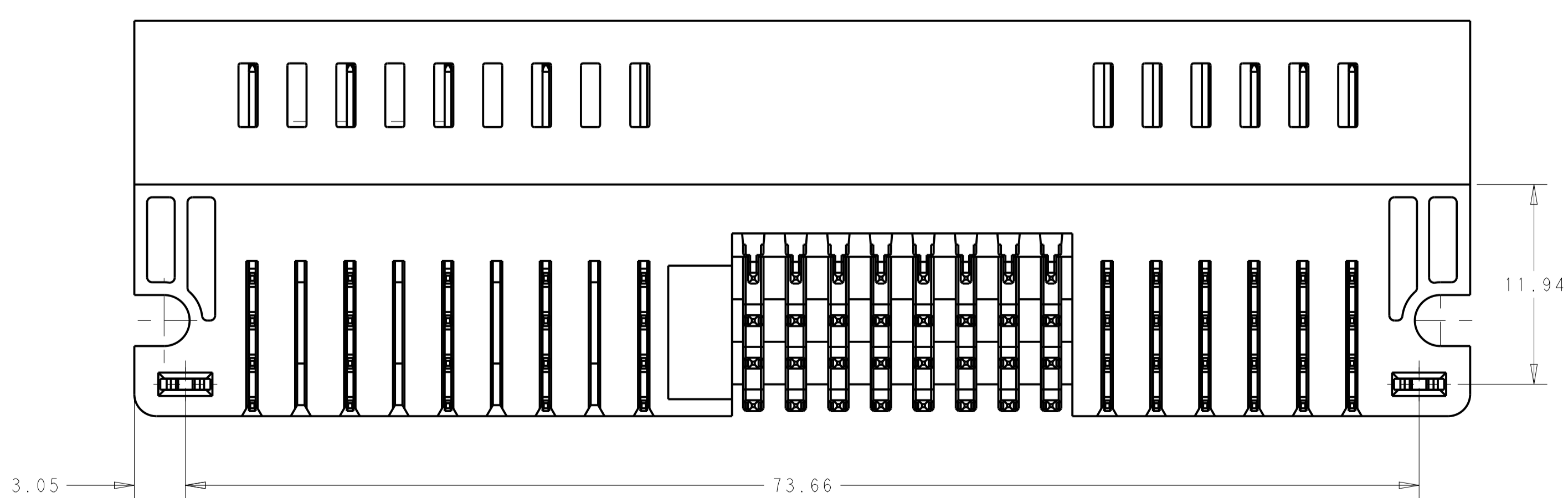
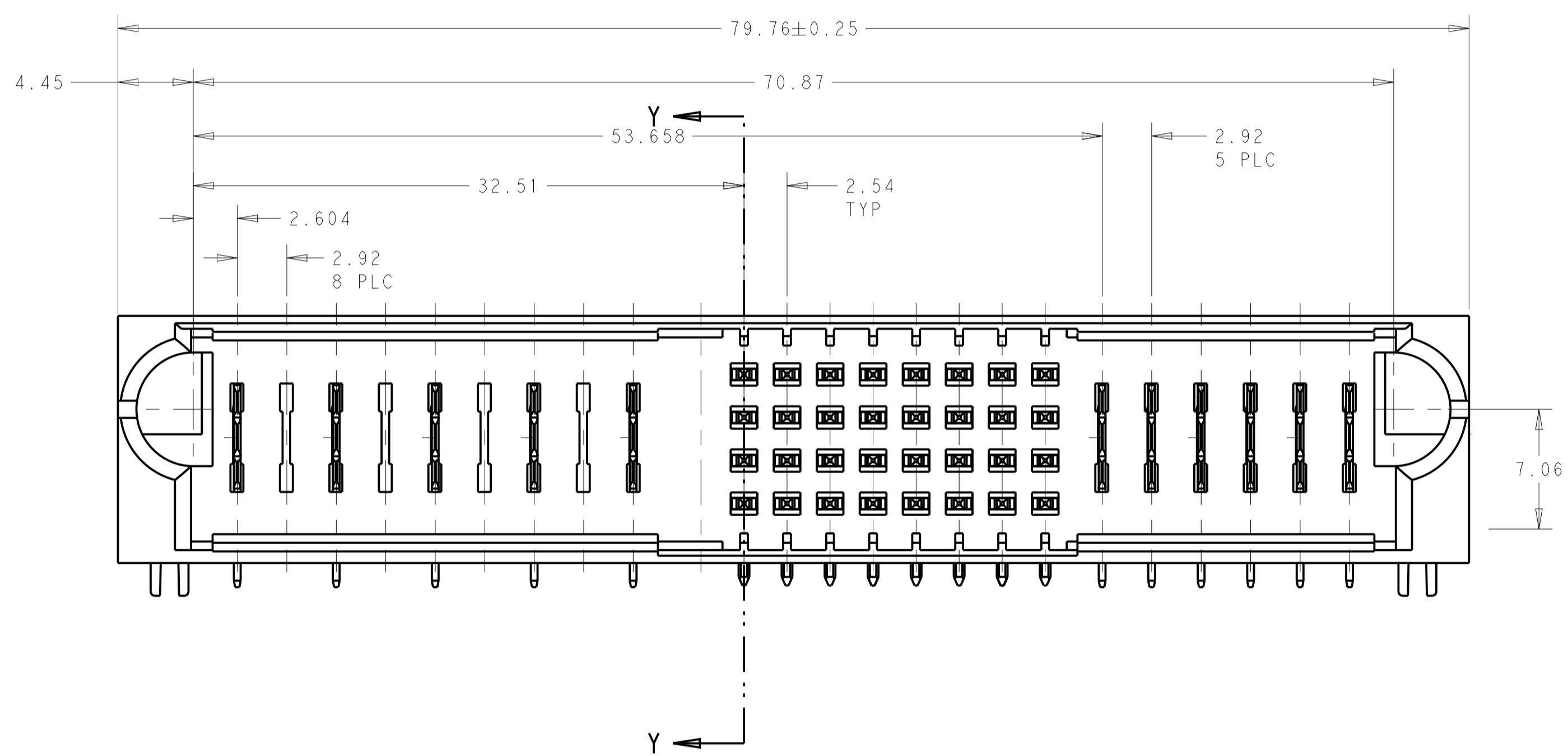
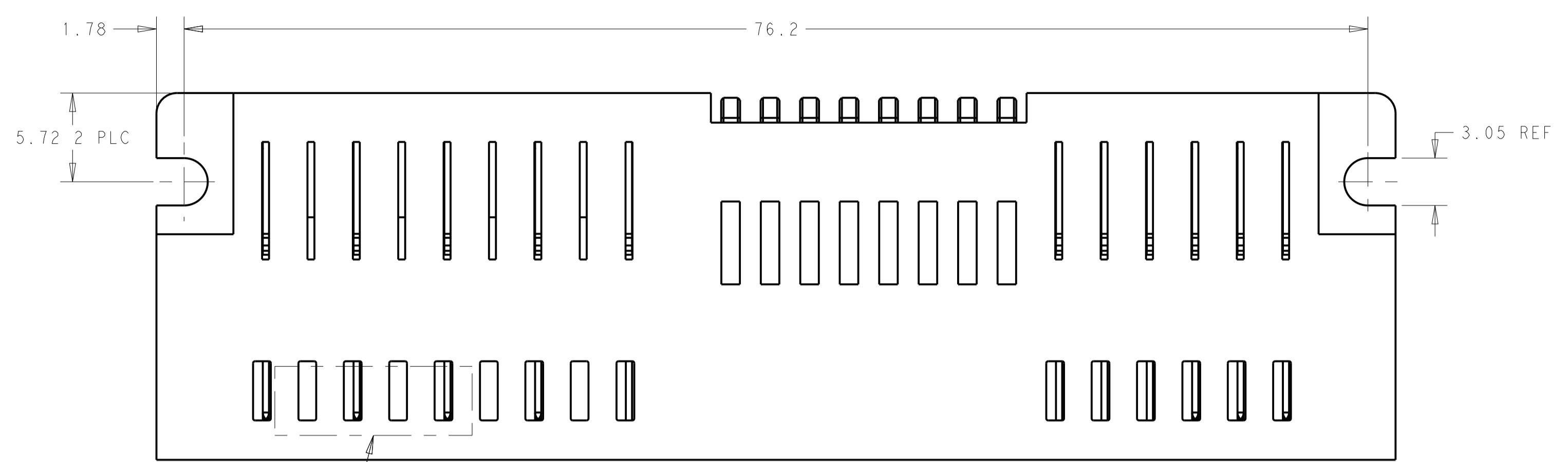
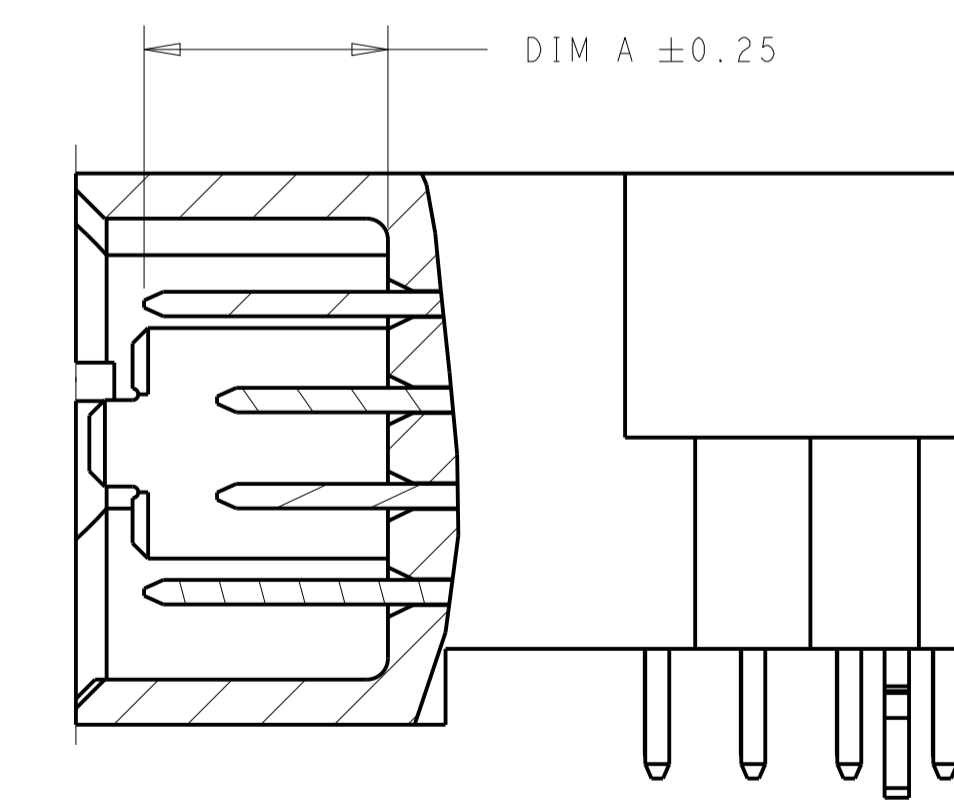
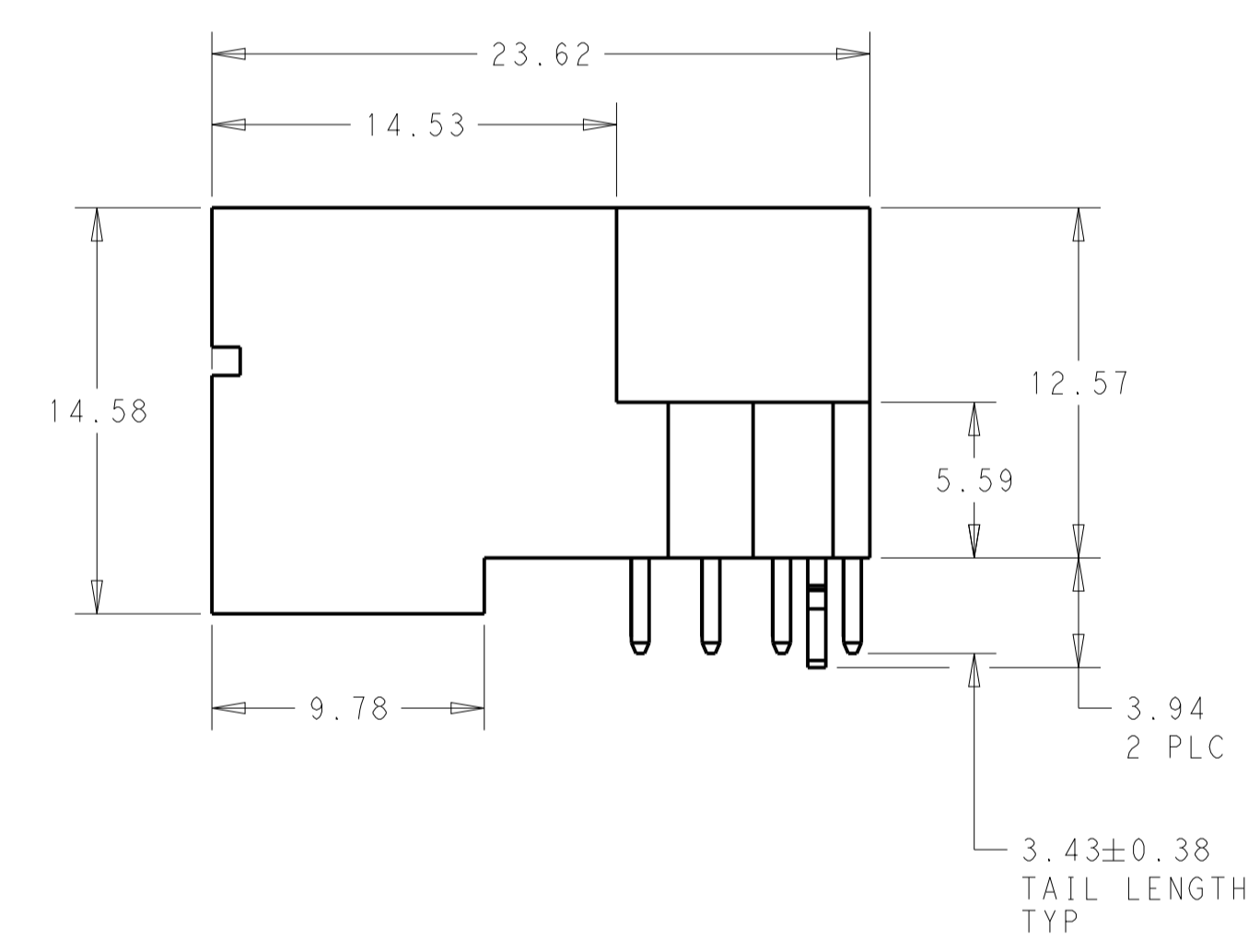


REVISIONS				
P.	LTN	DESCRIPTION	DATE	APVD
6		ADDED PIN HEIGHT ON DRAWING	01DEC2020	CZ SZ



- 1 "TE", PART NUMBER, AND DATECODE TO BE MARKED IN AREA SHOWN. PARTS UNDER 2.00 LONG MAY BE MARKED ON BOTH SIDES.
- 2 MATERIAL:  
HOUSING - GLASS FILLED HIGH TEMP THERMO PLASTIC, BLACK, UL94 V-0  
SIGNAL CONTACT - COPPER ALLOY  
POWER CONTACT - HIGH CONDUCTIVITY COPPER ALLOY
- 3 CONTACT PLATING: NOBLE METAL PLATING ON CONTACT FUNCTIONAL AREA OF POWER AND SIGNAL CONTACTS.
- 4 MECHANICAL CONNECTOR KEEP OUT ZONE.
- 5 DATUM AND BASIC DIMENSIONS ESTABLISHED BY CUSTOMER.
- 6 PCB - HOLE DIAMETERS ARE FINISHED HOLE SIZE.
- 7 PCB - 1.15±0.025 DRILLED HOLES PLATED WITH 0.0076 MIN Sn OVER 0.025 TO 0.076 Cu PLATING TO ACHIEVE A 1.02 ±0.076 HOLE.



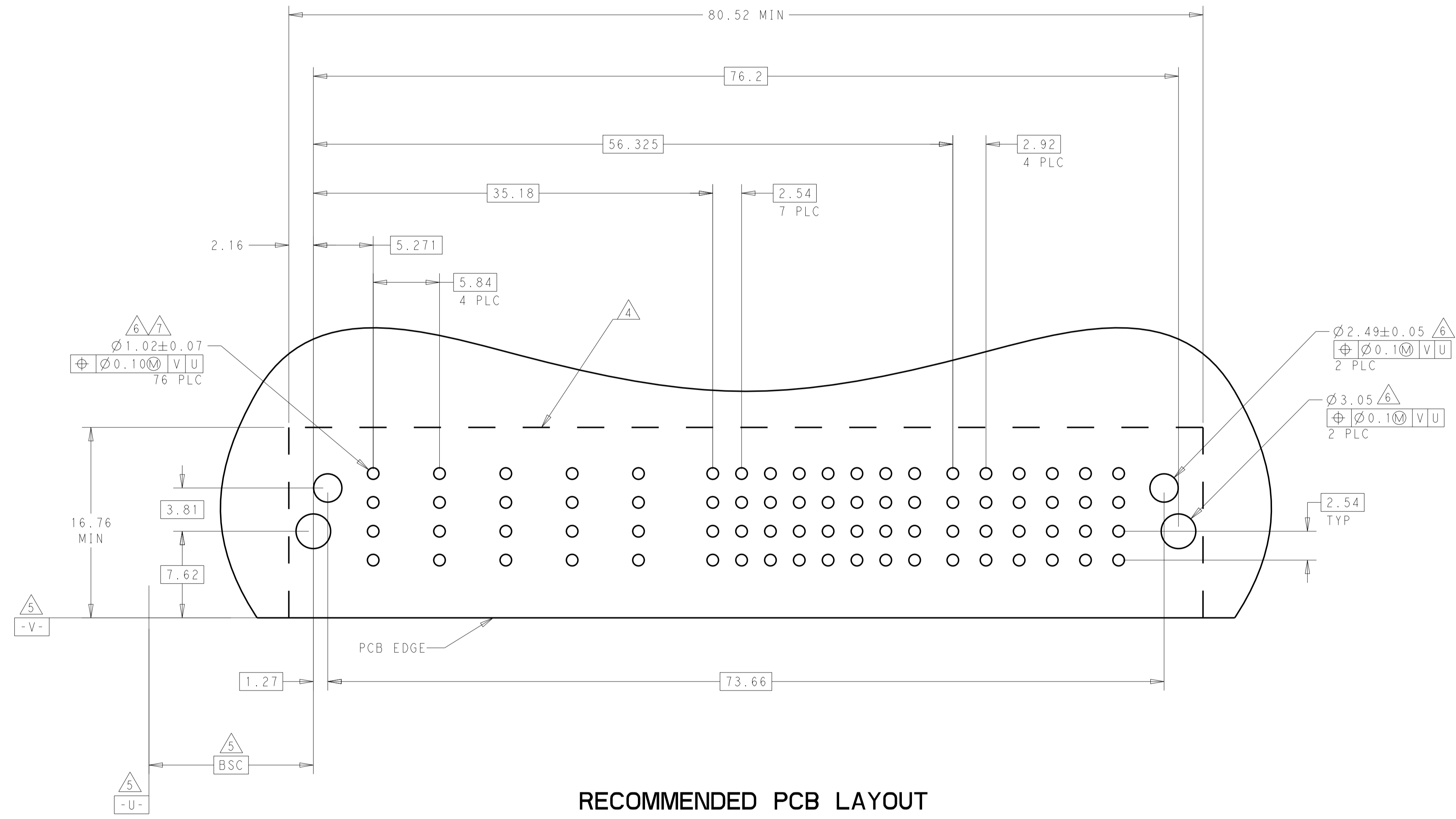
9LP+32S+6LP	2204910-4
DESCRIPTION	PART NUMBER

THIS DRAWING IS A CONTROLLED DOCUMENT.		DWN: 22JUN2017	TE Connectivity NAME: RIGHT ANGLE HEADER, SOLDER MULTI-BEAM XLE
DIMENSIONS: MM		CHK: 22JUN2017	
TOLERANCES UNLESS OTHERWISE SPECIFIED: 0 PLC ± 1 PLC ±0.25 2 PLC ±0.100 3 PLC ± 4 PLC ± ANGLES ±7°		APVD: 22JUN2017	
MATERIAL:	FINISH:	PRODUCT SPEC: 108-2292	RESTRICTED TO:
		APPLICATION SPEC: 114-13251	SIZE: A100779
		WEIGHT:	CAGE CODE: 2204910-4
		RESTRICTED CUSTOMER	SCALE: 4:1 SHEET 1 OF 2 REV 6

REVISIONS				
P.	LTN	DESCRIPTION	DATE	APVD
-	-	SEE SHEET 1	-	-

PART NUMBER	ROWS	POWER								SIGNAL								POWER						
		LP1	LP2	LP3	LP4	LP5	LP6	LP7	LP8	LP9	1	2	3	4	5	6	7	8	LP10	LP11	LP12	LP13	LP14	LP15
2204910-4	D									J	J	J	LJ	J	J	LJ	J							
	C									LK	K	K	K	K	K	K	K							
	B									LN	LN	LN	FN	N	N	N	N							
	A	HD	LM	-	LM	-	LM	-	LM	-	LMF	S	S	S	S	LS	S	S	FS	LMF	LMF	LMF	LM	LM

9LP+32S+6LP



RECOMMENDED PCB LAYOUT

SIG PIN LENGTH DIM A	WIPE LENGTH	DESCRIPTION	IDENTIFIER
4.52	2.80	MLBF2 SOLDER TYPE SIGNAL CONTACT, 3.43 TAIL LENGTH, ROW D	LJ
6.45	4.75	STD SOLDER TYPE SIGNAL CONTACT, 3.43 TAIL LENGTH, ROW D	J
4.52	2.80	MLBF2 SOLDER TYPE SIGNAL CONTACT, 3.43 TAIL LENGTH, ROW C	LK
6.45	4.75	STD SOLDER TYPE SIGNAL CONTACT, 3.43 TAIL LENGTH, ROW C	K
7.72	5.99	MFBL SOLDER TYPE SIGNAL CONTACT, 3.43 TAIL LENGTH, ROW B	FN
4.52	2.80	MLBF2 SOLDER TYPE SIGNAL CONTACT, 3.43 TAIL LENGTH, ROW B	LN
6.45	4.75	STD SOLDER TYPE SIGNAL CONTACT, 3.43 TAIL LENGTH, ROW B	N
7.72	5.99	MFBL SOLDER TYPE SIGNAL CONTACT, 3.43 TAIL LENGTH, ROW A	FS
4.52	2.80	MLBF2 SOLDER TYPE SIGNAL CONTACT, 3.43 TAIL LENGTH, ROW A	LS
6.45	4.75	STD SOLDER TYPE SIGNAL CONTACT, 3.43 TAIL LENGTH, ROW A	S
-	5.18	MFBL SOLDER TYPE POWER CONTACT, 3.43 TAIL LENGTH	LMF
-	4.04	STD SOLDER TYPE POWER CONTACT, 3.43 TAIL LENGTH	LM
-	-	HOLD DOWN, MULTI-BEAM	HD
-	-	NO CONTACTS LOADED	-

THIS DRAWING IS A CONTROLLED DOCUMENT. DIMENSIONS: MM. TOLERANCES UNLESS OTHERWISE SPECIFIED: 0 PLC ±, 1 PLC ±, 2 PLC ±0.13, 3 PLC ±0.05, 4 PLC ±, ANGLES ±°. MATERIAL: 2. FINISH: 3.

OWN: 22JUN2017, CHK: SZ, APVD: 22JUN2017. PRODUCT SPEC: 108-2292, APPLICATION SPEC: 114-13251, WEIGHT: -.

RESTRICTED CUSTOMER. SCALE: 4:1, SHEET 2 OF 2, REV 6.

STE TE Connectivity. NAME: RIGHT ANGLE HEADER, SOLDER MULTI-BEAM XLE. SIZE: A100779, CAGE CODE: 2204910-4.