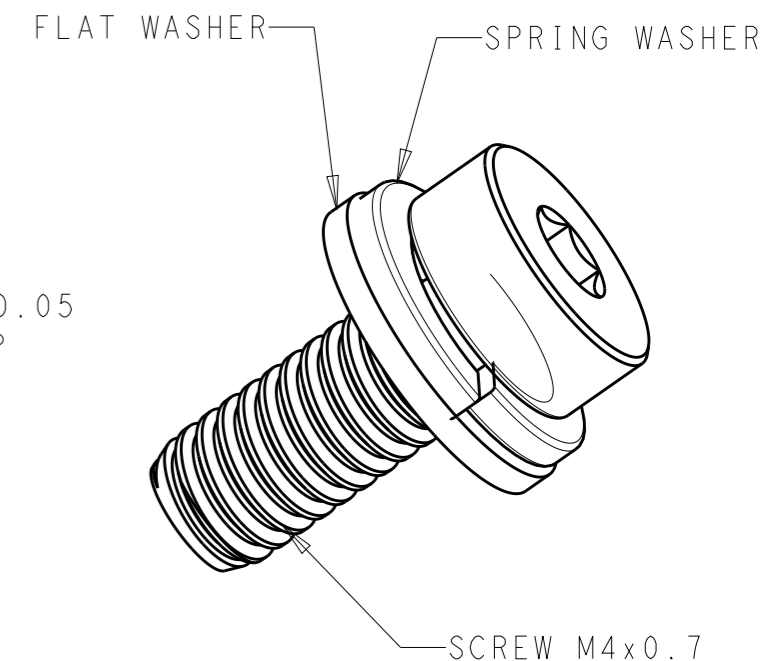
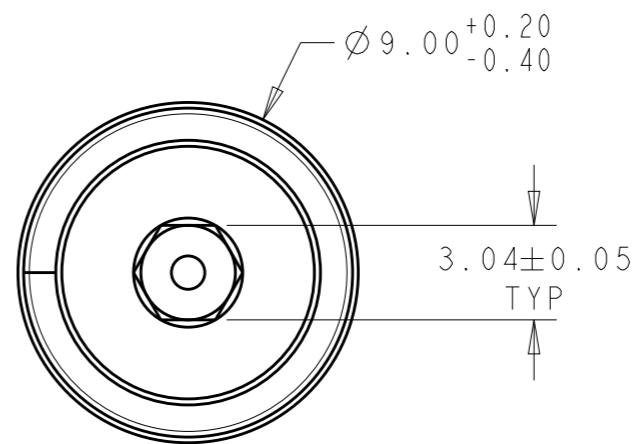
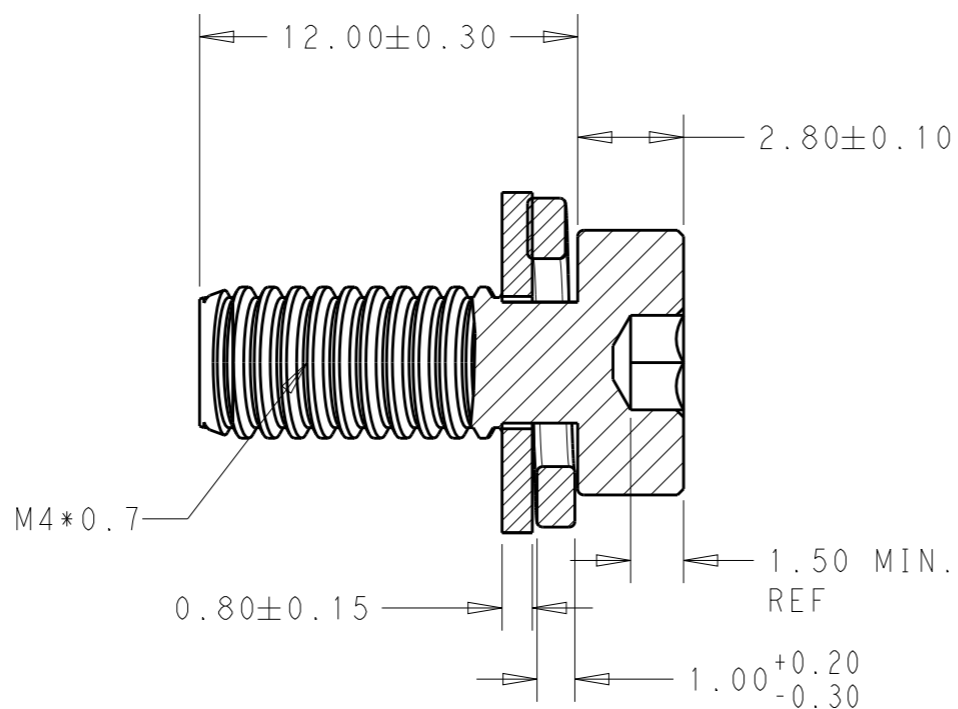
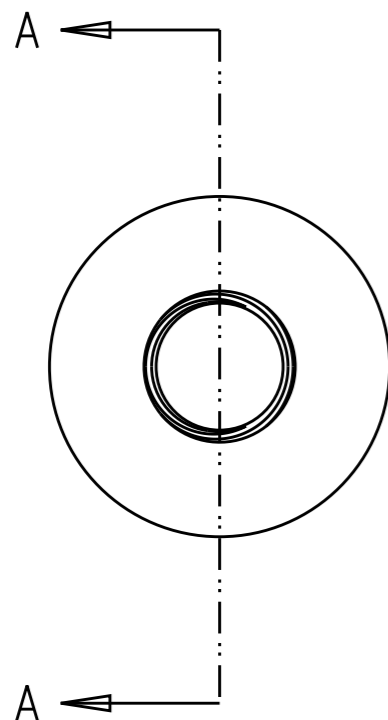


REVISIONS

P	LTR	DESCRIPTION	DATE	DWN	APVD
A		INITIAL RELEASED	19MAR2018	ML	SZ
A1		RELEASE P/N 1-2204893-1	03APR2018	ML	SZ



SECTION A - A  
SCALE 5:1

REFERENCE PRODUCT VIEW

1-2204893-1  
PART NUMBER

1 MATERIAL: STEEL ALLOY.

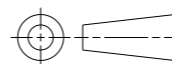
2. FINISH: ZINC COATED, ROHS.

3. THE RECOMMENDED BOARD THICKNESS: 2.0MM MIN.

4. THE RECOMMENDED TORQUE: 10~15 KGF.CM.

THIS DRAWING IS A CONTROLLED DOCUMENT.

DIMENSIONS:  
mm



TOLERANCES UNLESS OTHERWISE SPECIFIED:

0 PLC	±-
1 PLC	±0.2
2 PLC	±0.15
3 PLC	±0.050
4 PLC	±-
ANGLES	±-

MATERIAL



FINISH

DWN 13MAR2018

MAC LIU

CHK 13MAR2018

SUNY ZHAO

APVD 13MAR2018

SUNY ZHAO

PRODUCT SPEC

-

APPLICATION SPEC

-

WEIGHT

-

CUSTOMER DRAWING



TE Connectivity

NAME

LOW HEAD HEX SCREWS M4x0.7

SIZE CAGE CODE DRAWING NO RESTRICTED TO

A3 00779 C-2204893

SCALE 4:1 SHEET 1 OF 1 REV A1