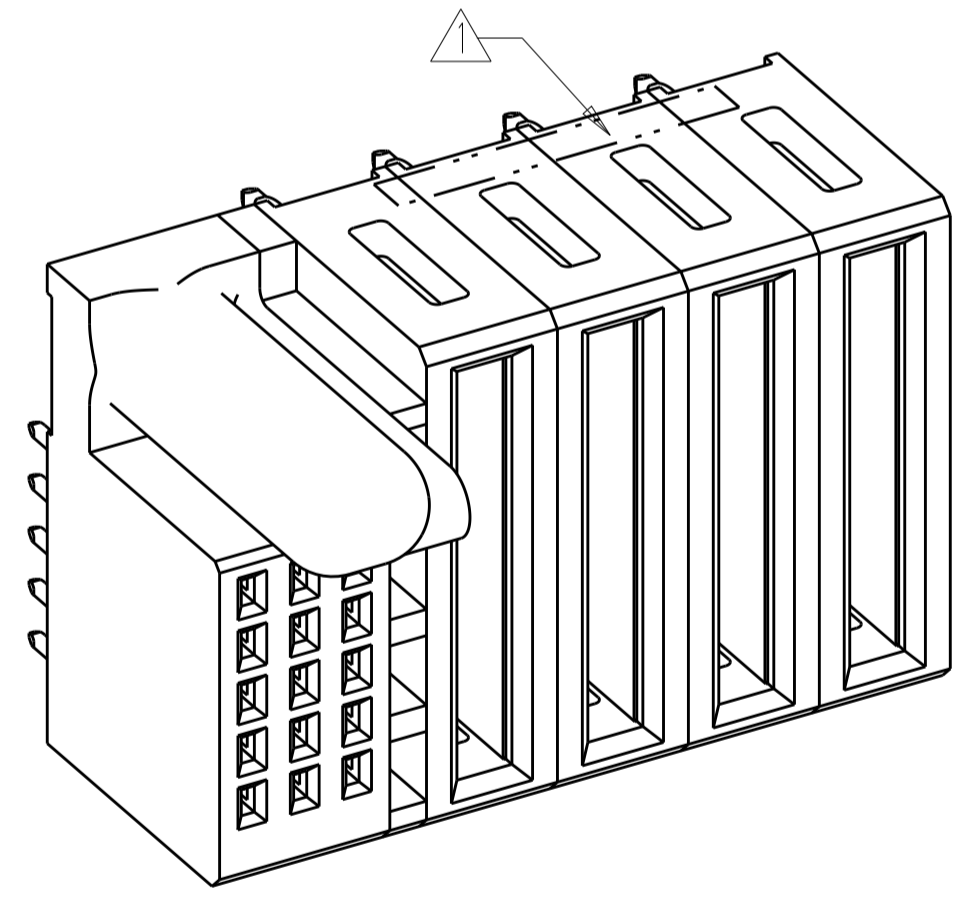
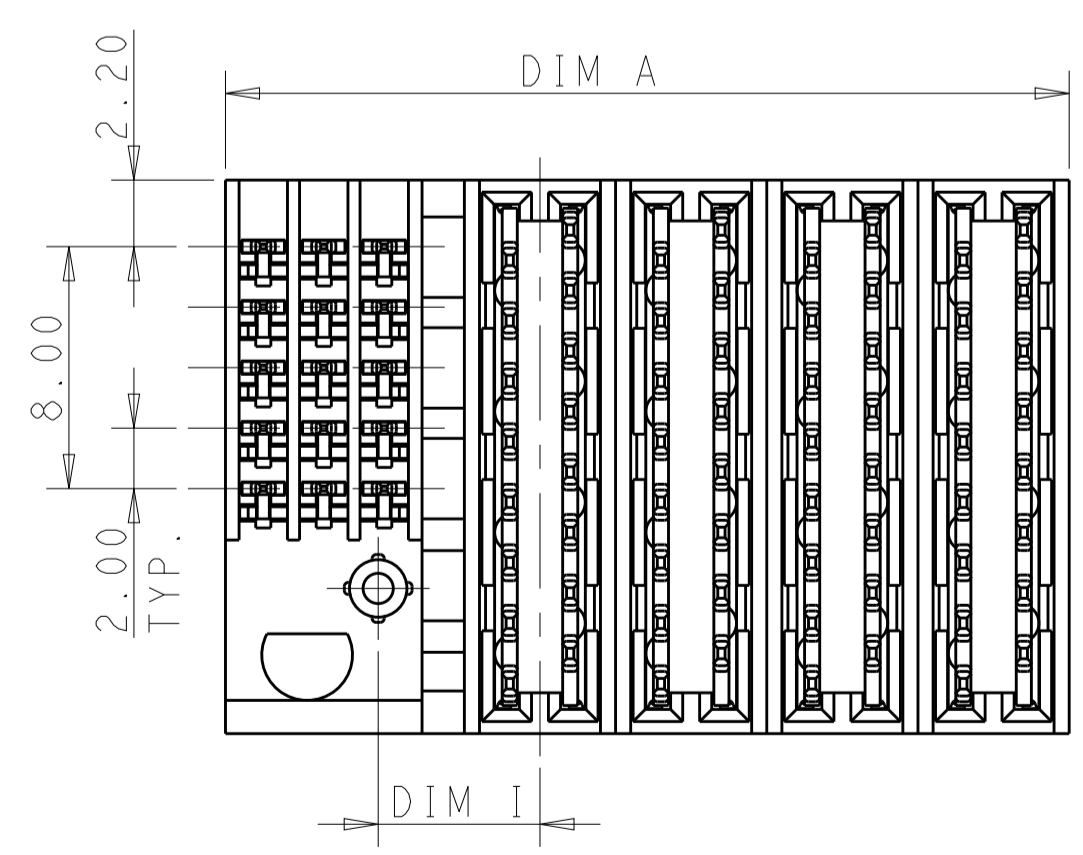
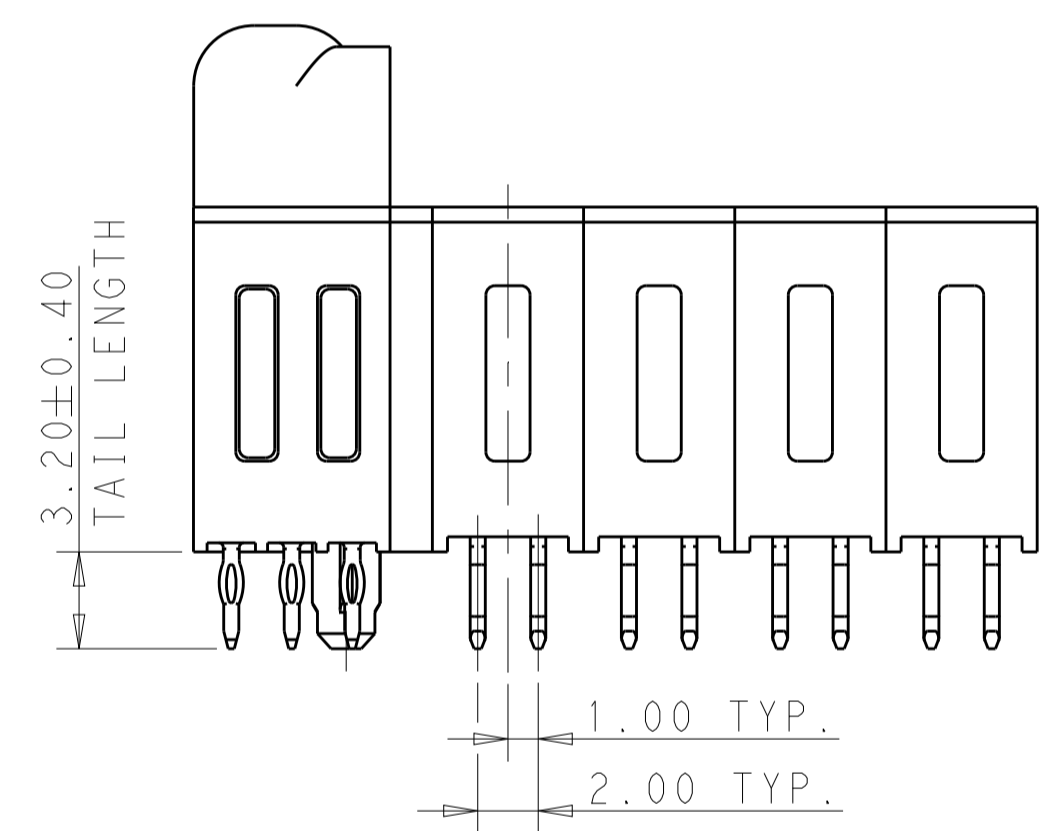
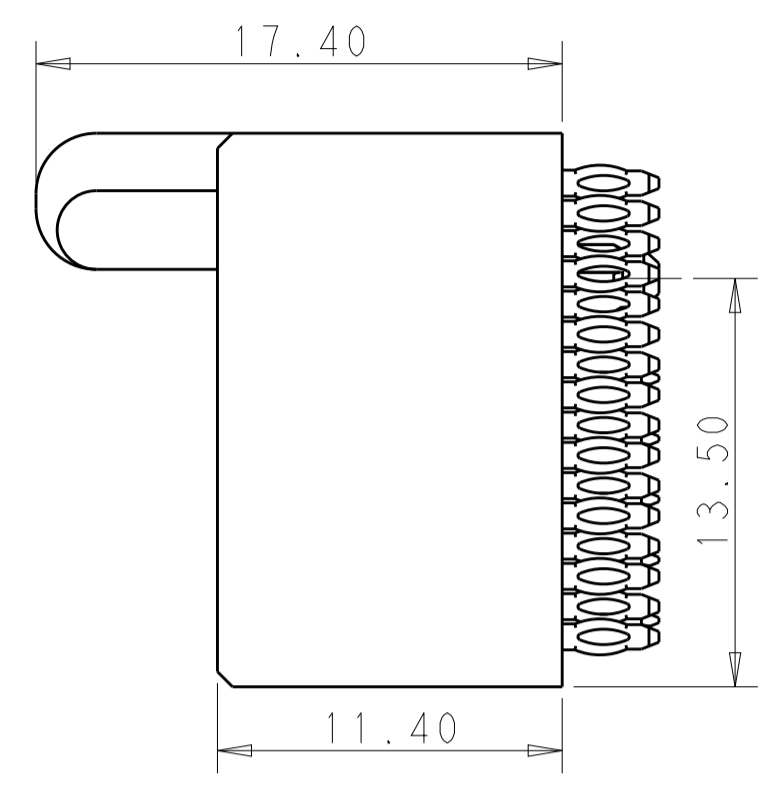
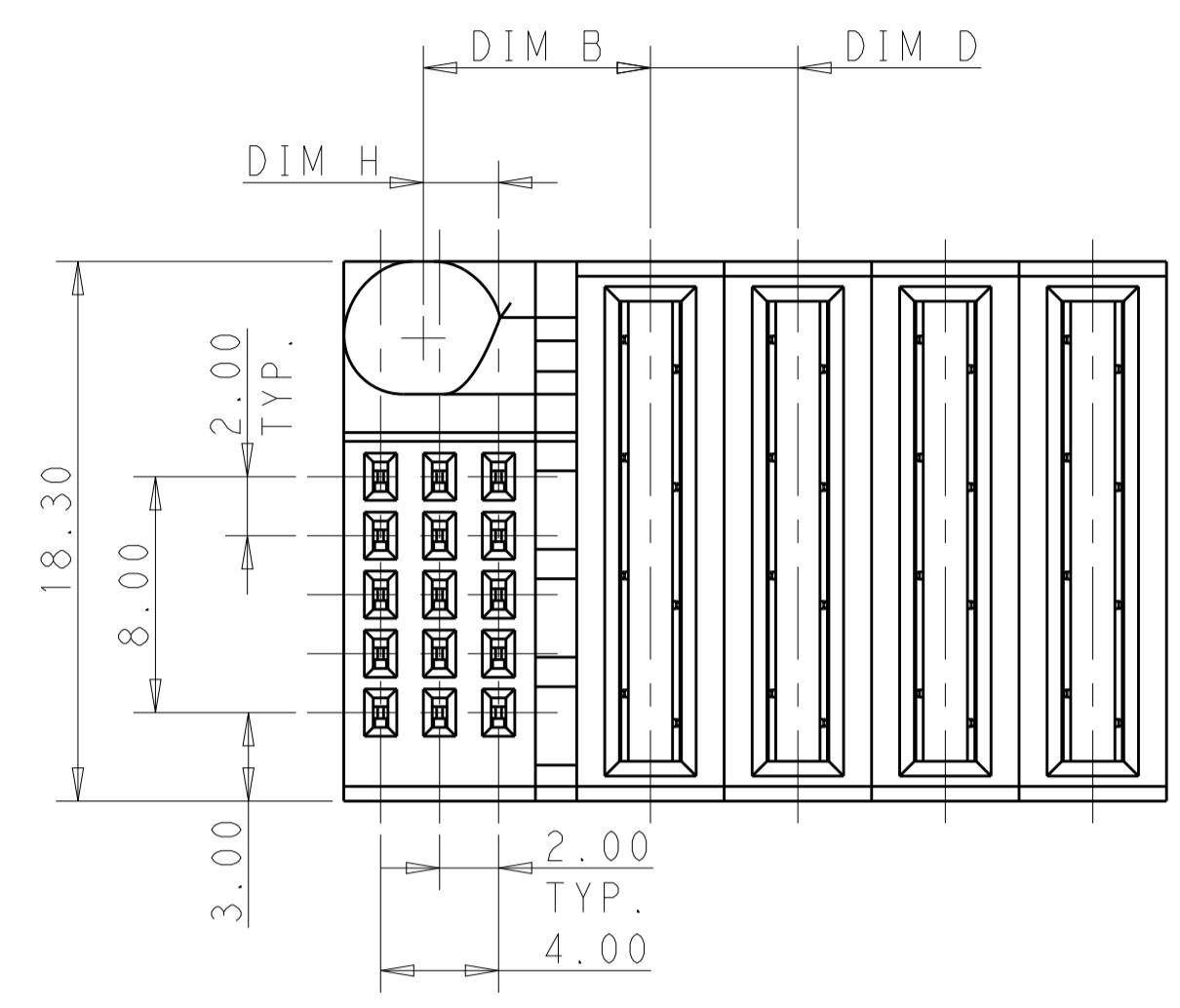


LOC		DIST		REVISIONS			
P	LTN	DESCRIPTION	DATE	DWN	APVD		
1		PROPOSAL DRAWING	19JAN2017	TZ	SZ		
2		MODIFY THE MISTAKE	17MAY2017	TZ	SZ		



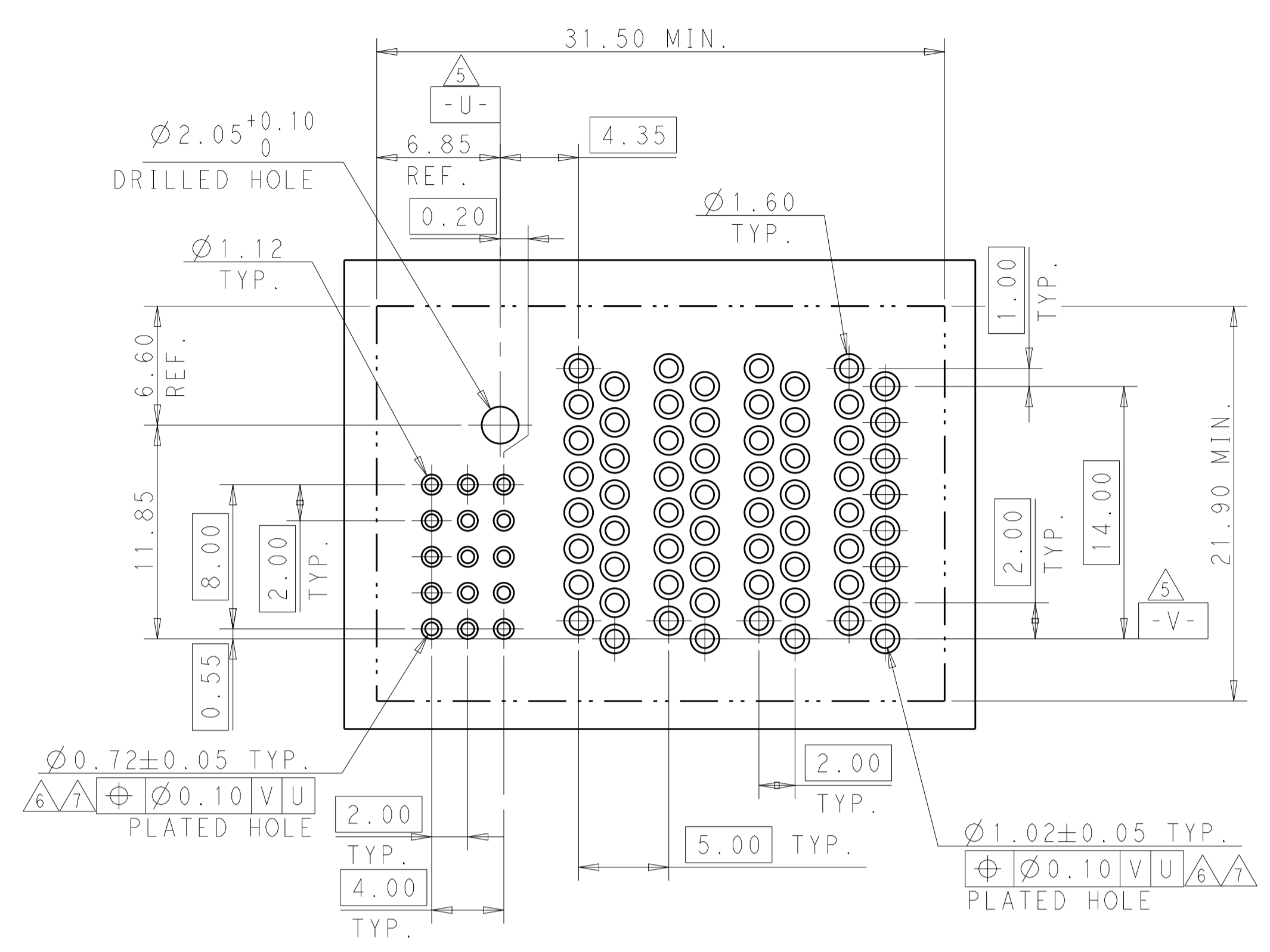
- NOTES, UNLESS OTHERWISE SPECIFIED:
- ① "TE", PART NUMBER AND DATE CODE TO BE MARKED IN AREA SHOWN.
 - ② MATERIAL:
 - HOUSING - GLASS FILLED HIGH TEMP THERMO PLASTIC, COLOR: BLACK, UL94 V- 0.
 - SIGNAL CONTACT - HIGH CONDUCTIVITY COPPER ALLOY.
 - POWER CONTACT - HIGH CONDUCTIVITY COPPER ALLOY.
 - ③ CONTACT PLATING:
 - MATING AREA - NOBLE METAL OVERALL NICKEL
 - TAIL SIDE AREA - MATTE TIN OVERALL NICKEL.
 - ④ MECHANICAL CONNECTOR KEEP OUT ZONE.
 - ⑤ DATUM AND BASIC DIMENSIONS ESTABLISHED BY CUSTOMER.
 - ⑥ PCB - ALL HOLE DIAMETERS ARE FINISHED HOLE SIZES.
 - ⑦ PCB HOLE:
 - POWER - 1.15 ± 0.025 MM DRILLED HOLES SIZE PLATING WITH 0.0076 MM MIN. Sn OVER 0.025-0.076 MM Cu PLATING TO ACHIEVE A 1.02 MM DIA. HOLE.
 - SIGNAL - 0.835 ± 0.025 MM DRILLED HOLES SIZE PLATING WITH 0.0076 MM MIN. Sn OVER 0.025-0.076 MM Cu PLATING TO ACHIEVE A 0.72 MM DIA. HOLE.

PROPOSED DESIGN
 PRODUCT NUMBER WILL BE
 ASSIGNED WHEN RELEASED
 DESIGN IS SUBJECT TO
 CHANGE WITHOUT NOTICE

17.90	7.70	5.00	5.15	5.35	2P+15S	2204862-2
27.90	7.70	5.00	5.15	5.35	4P+15S	2204862-1
DIM A	DIM B	DIM D	DIM H	DIM I	DESCRIPTION	PART NUMBER

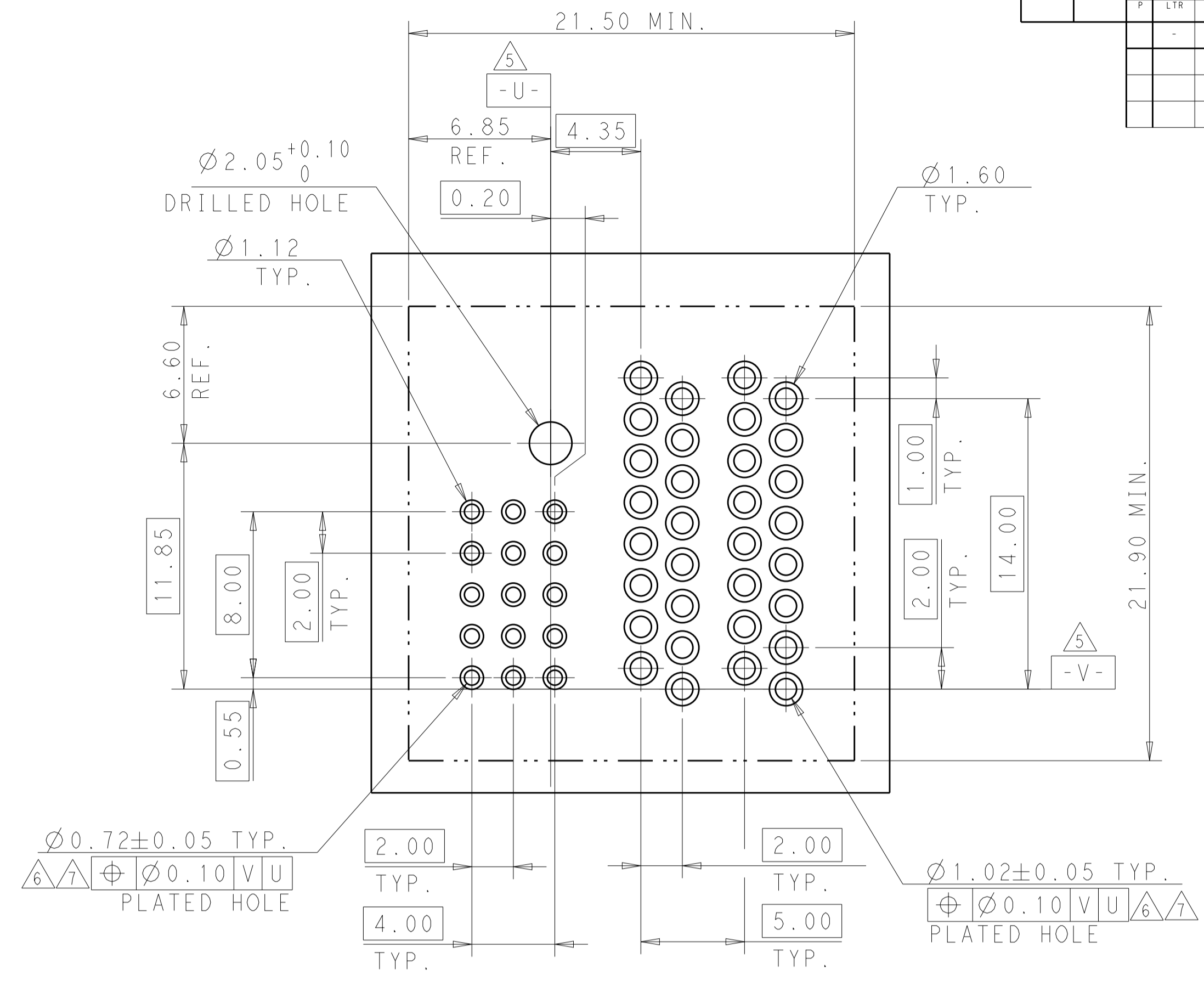
THIS DRAWING IS A CONTROLLED DOCUMENT.		DWN	T. ZHAO	19JAN2017	STE TE Connectivity
DIMENSIONS:		CHK	S. ZHAO	19JAN2017	
mm		APVD	S. ZHAO	19JAN2017	
TOLERANCES UNLESS OTHERWISE SPECIFIED:		NAME			
0 PLC	±	Customer Drawing			
1 PLC	±0.4	VERTICAL RECEPTACLE			
2 PLC	±0.75	MULTI-BEAM HD P+S			
3 PLC	±1.5	RESTRICTED TO			
4 PLC	±	SIZE			
ANGLES	±	A100779C=2204862			
MATERIAL		WEIGHT		SCALE	4:1
FINISH		CUSTOMER DRAWING		SHEET	1 OF 2
				REV	2

LOC	DIST	REVISIONS			
P	LTM	DESCRIPTION	DATE	DWN	APVD
-	-	SEE SHEET 1	-	-	-



THE PCB LAYOUT OF P/N:2204862-1

PART NUMBER	ROWS	SIGNAL			POWER			
		3	2	1	P4	P3	P2	P1
2204862-1	E	SM1	SM1	SM1	PA	PA	PA	PA
	D	SM1	SM1	SM1				
	C	SM1	SM1	SM1				
	B	SM1	SM1	SM1				
4P+1SS								



THE CUTOUT OF PART NUMBER: 2204862-2

PART NUMBER	ROWS	SIGNAL			POWER		
		3	2	1	P2	P1	
2204862-2	E	SM1	SM1	SM1	PA	PA	
	D	SM1	SM1	SM1			
	C	SM1	SM1	SM1			
	B	SM1	SM1	SM1			
2P+1SS							

DESCRIPTION	IDENTIFIER
SIGNAL CONTACT	SM1
POWER CONTACT STANDARD 1.4MM MATING	PB
POWER CONTACT MFBL 1.4MM MATING	PA

THIS DRAWING IS A CONTROLLED DOCUMENT.		DWN	T. ZHAO	19JAN2017
DIMENSIONS:		CHK	S. ZHAO	19JAN2017
mm	TOLERANCES UNLESS OTHERWISE SPECIFIED:	APVD	S. ZHAO	19JAN2017
	0 PLC ±0.4	NAME Customer Drawing		
	1 PLC ±0.4	PRODUCT SPEC		
	2 PLC ±0.75	APPLICATION SPEC		
	3 PLC ±1.5	SIZE CAGE CODE DRAWING NO		
	4 PLC ±	RESTRICTED TO		
	ANGLES ±	A100779C=2204862		
MATERIAL	FINISH	WEIGHT	SCALE 4:1 SHEET 2 OF 2 REV 2	
			CUSTOMER DRAWING	