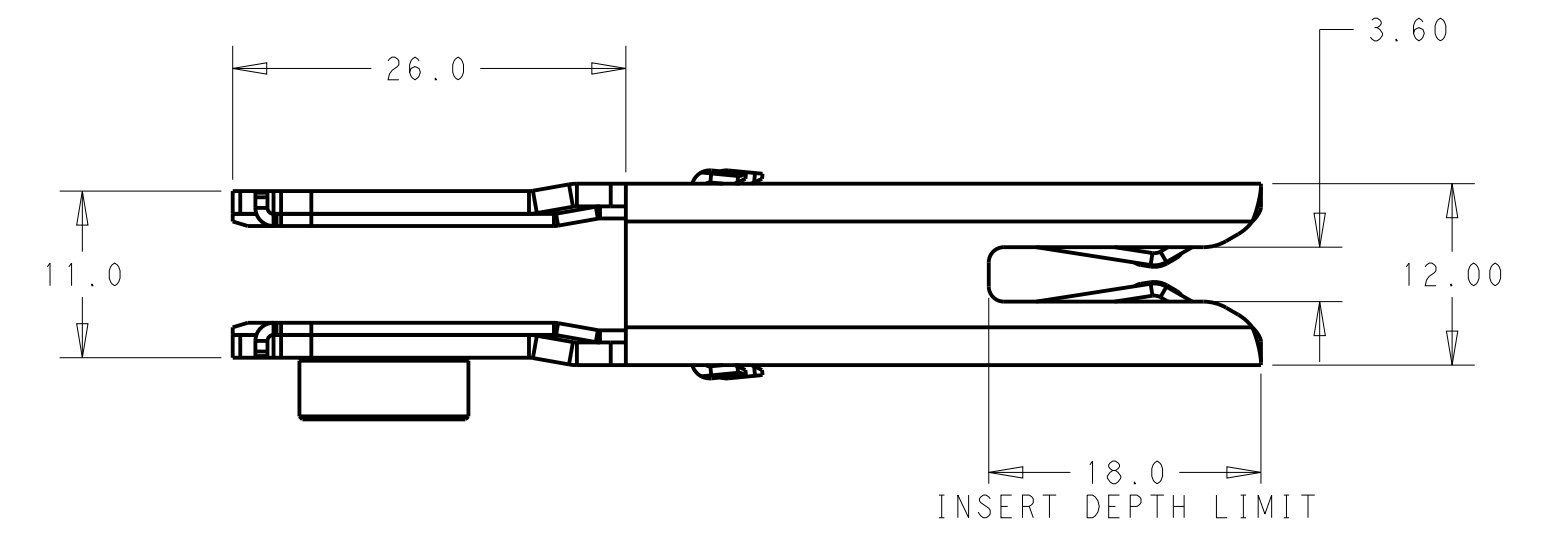
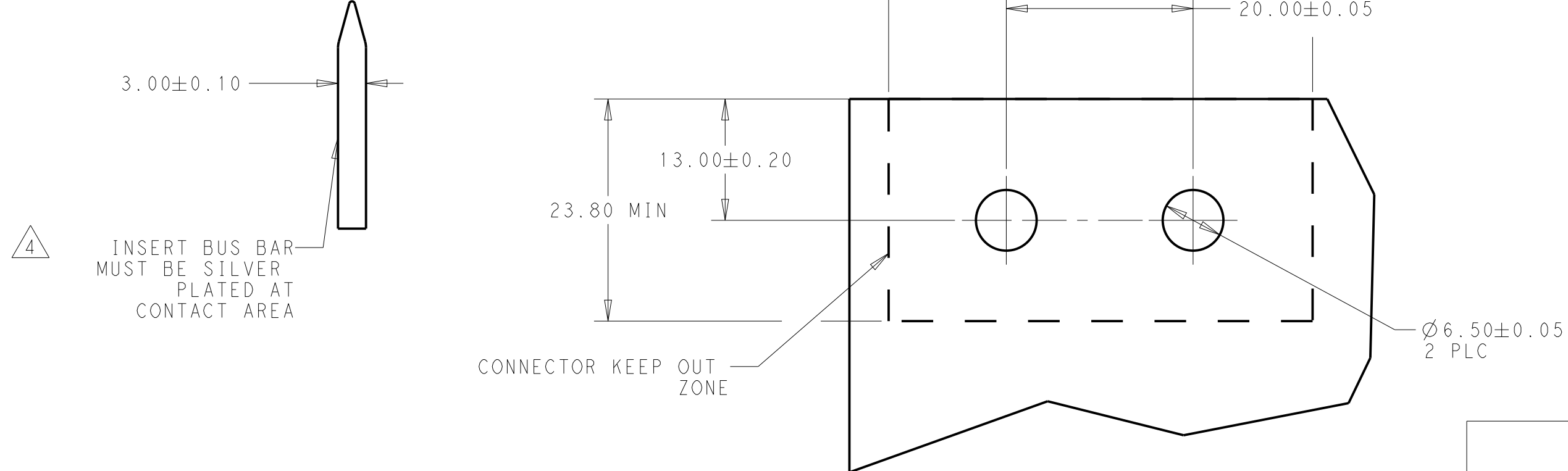
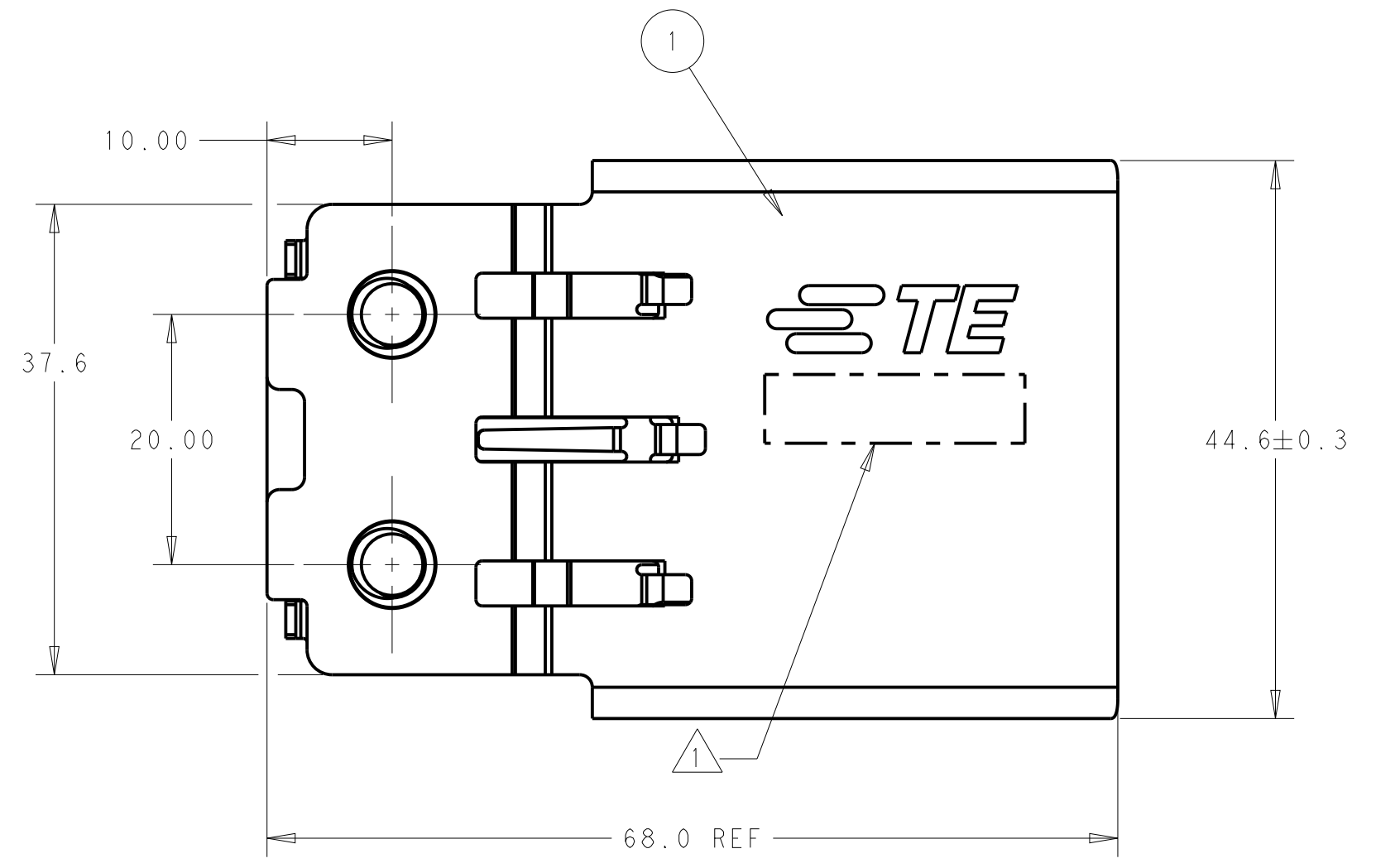
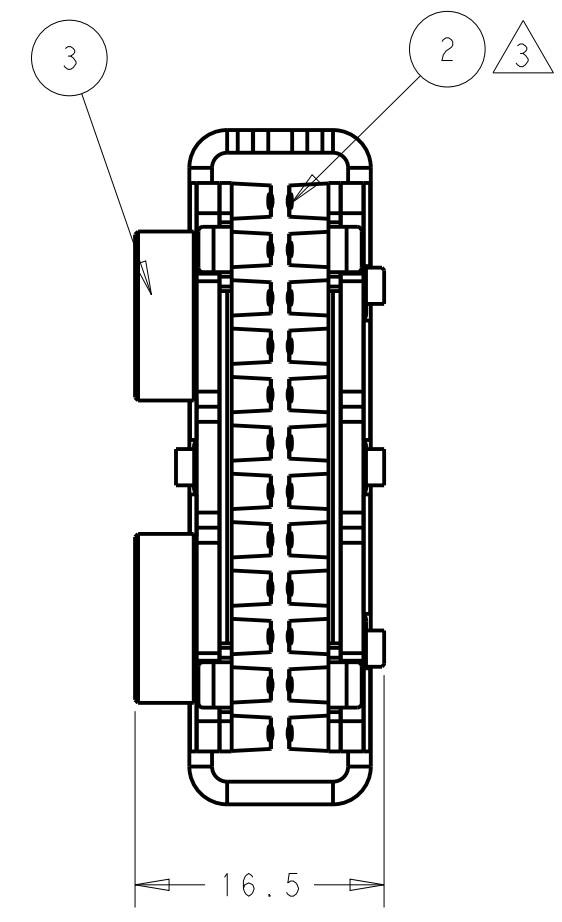
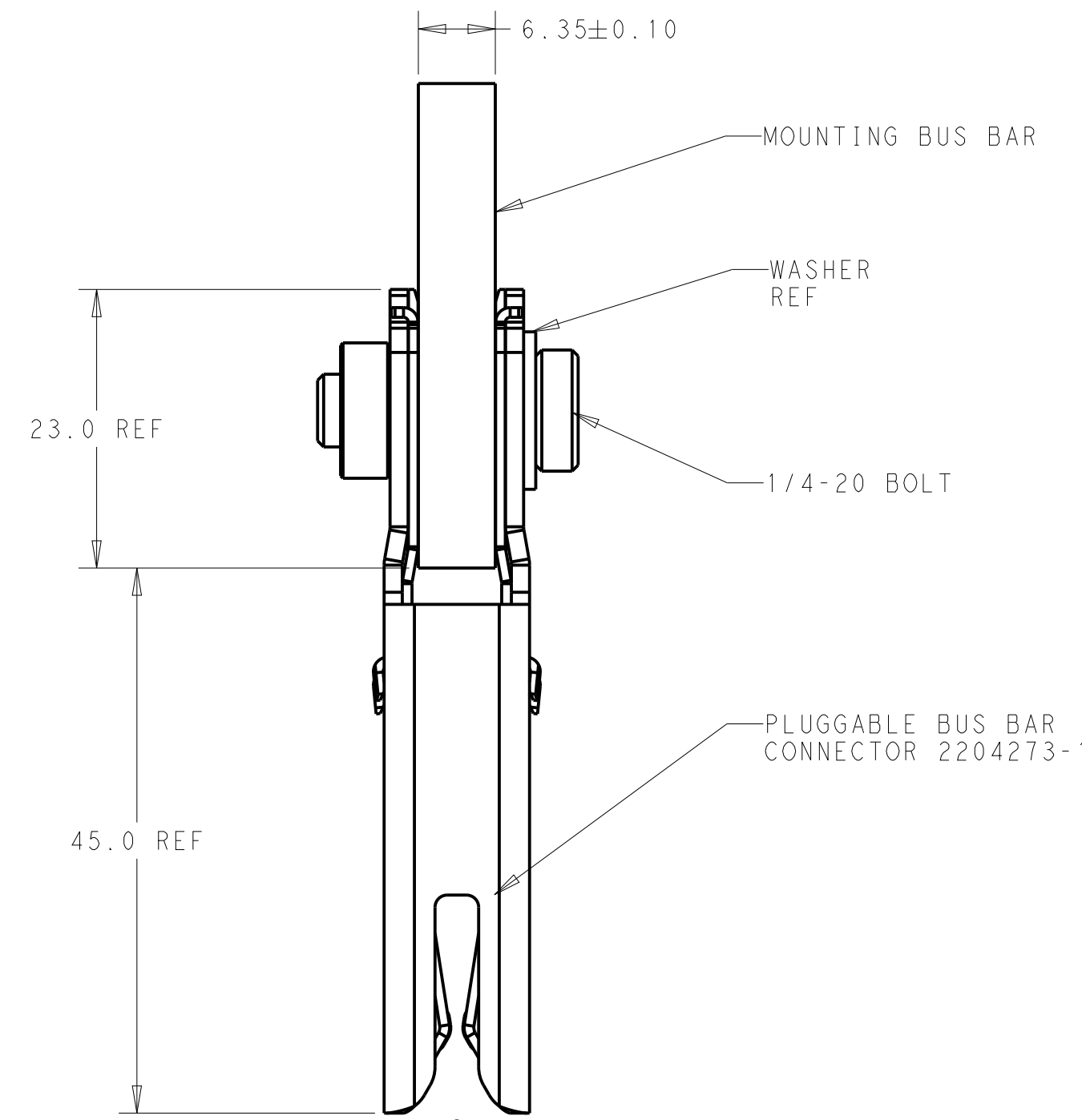


THIS DRAWING IS UNPUBLISHED. RELEASED FOR PUBLICATION 20
 © COPYRIGHT 20 BY - ALL RIGHTS RESERVED.

| REVISIONS | | | | | |
|-----------|-----|------------------------------|-----------|-----|------|
| P | LTR | DESCRIPTION | DATE | DWN | APVD |
| A3 | | ADD TOLERANCE FOR HEIGHT DIM | 22NOV2018 | AL | SZ |
| A4 | | CORRECT A CLERICAL ERROR | 13DEC2018 | AL | SZ |



RECOMMENDED MOUNTING BUS BAR LAYOUT

- NOTES:
- ① PART NUMBER AND DATACODE TO BE MARKED IN AREA SHOWN
 - ② MATERIAL: SHOWN IN BOM LIST
 - ③ CONTACT PLATING: SILVER PLATING ON CONTACT FUNCTIONAL AREA
 - ④ BUS BAR MUST BE SILVER PLATING ON CONTACT AREA

| PART NUMBER | ITEMS | DESCRIPTION | MATERIAL | Q'TY | FINISH |
|----------------|-------|--------------------------------|-----------------|------|--------|
| 2204273-1 ② | 3 | CLINCHING NUT 1/4-20 THREAD | STAINLESS STEEL | 2 | - |
| | 2 | CONTACT | COPPER ALLOY | 2 | SILVER |
| | 1 | OUTER HOUSING | STAINLESS STEEL | 1 | - |

| | | | | |
|--|--|--------------------------------|---|--|
| THIS DRAWING IS A CONTROLLED DOCUMENT. | | DWN ANDY LI 17JUN2014 | STE TE Connectivity | |
| DIMENSIONS: mm | | CHK SUNY ZHAO 17JUN2014 | | |
| TOLERANCES UNLESS OTHERWISE SPECIFIED: | | APVD SUNY ZHAO 17JUN2014 | NAME PLUGGABLE BUS BAR CONNECTOR IN-LINE MOUNTING | |
| 0 PLC ±- | | PRODUCT SPEC 108-128012 | SIZE A2 | |
| 1 PLC ±0.2 | | APPLICATION SPEC 114-2111 | CAGE CODE - | |
| 2 PLC ±0.15 | | WEIGHT 97.28 | DRAWING NO C-2204273 | |
| 3 PLC ±0.10 | | CUSTOMER DRAWING | RESTRICTED TO - | |
| 4 PLC ±0.0001 | | | SCALE 2:1 | |
| ANGLES ±1 | | | SHEET 1 OF 1 | |
| FINISH | | | REV A4 | |