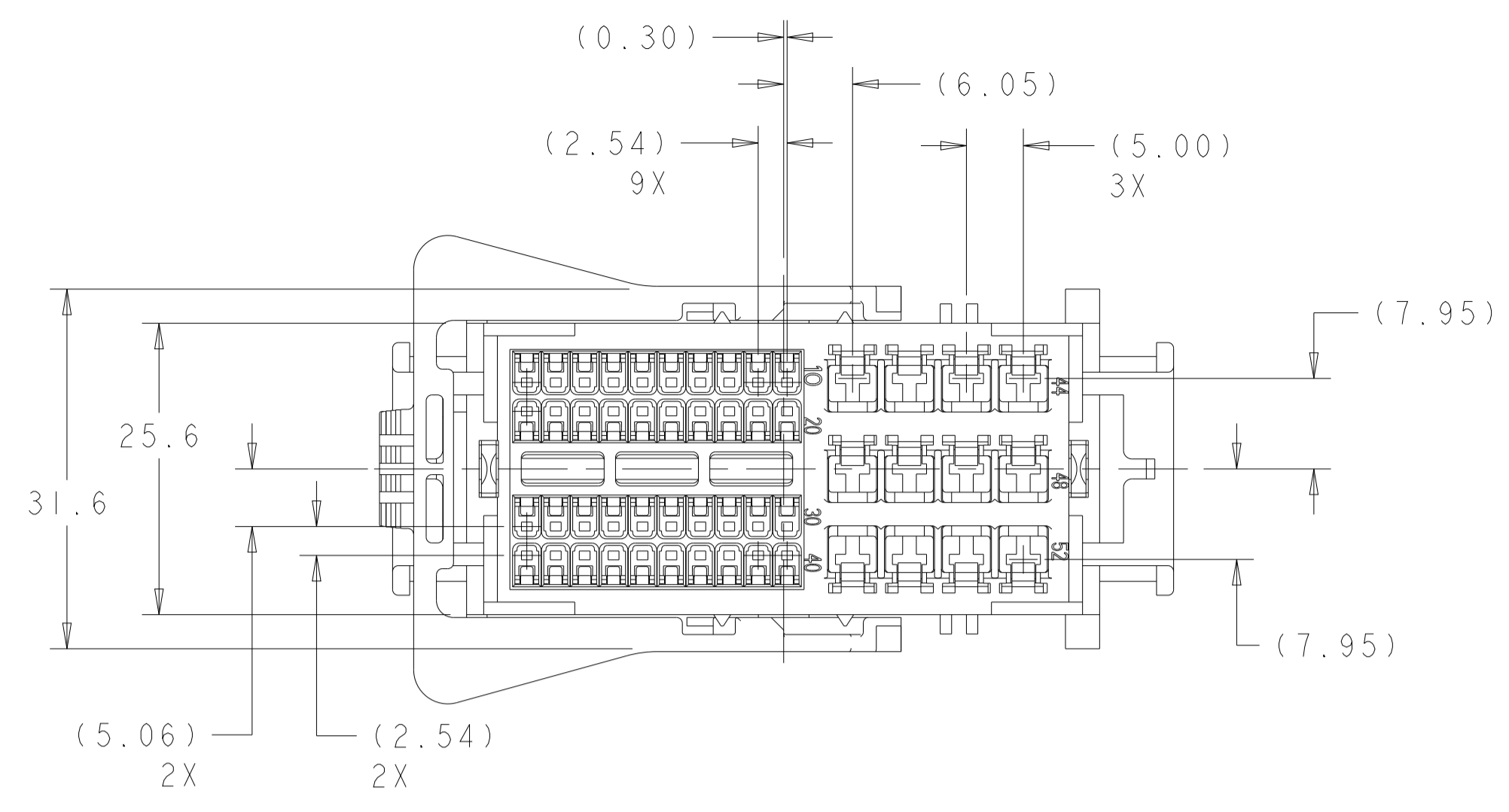
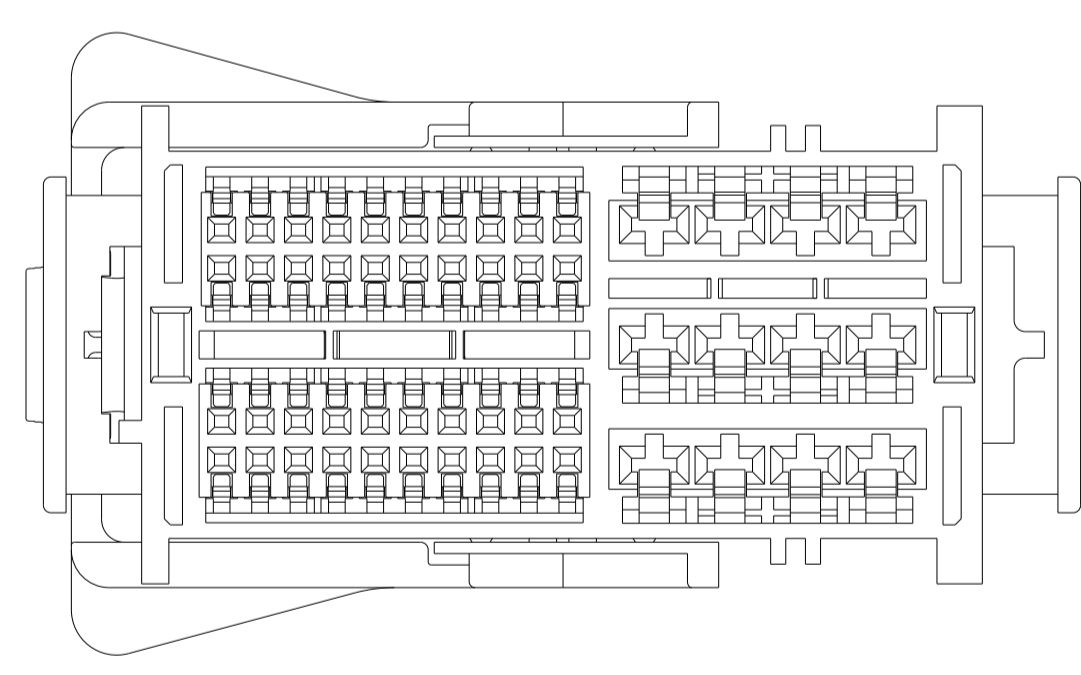
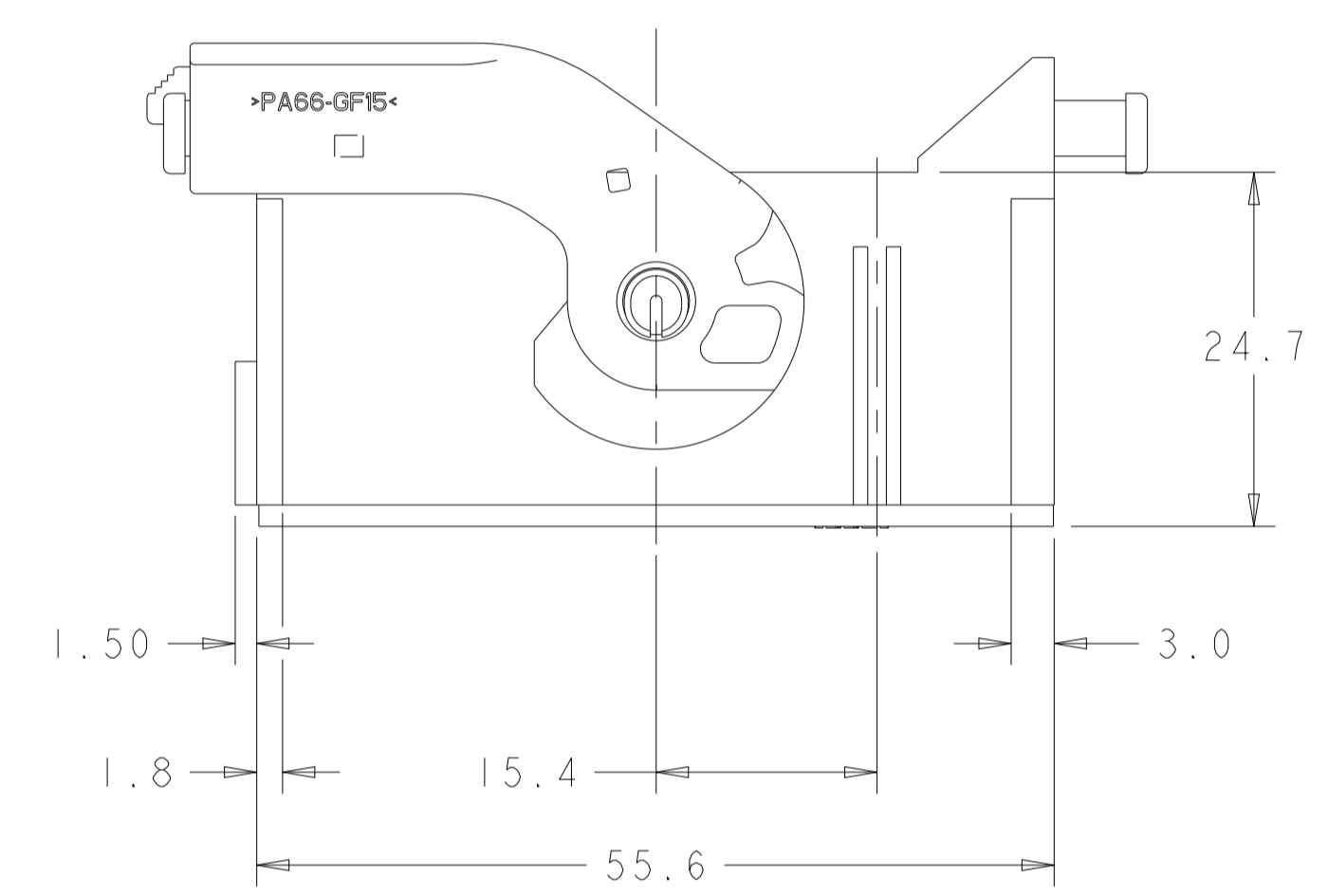
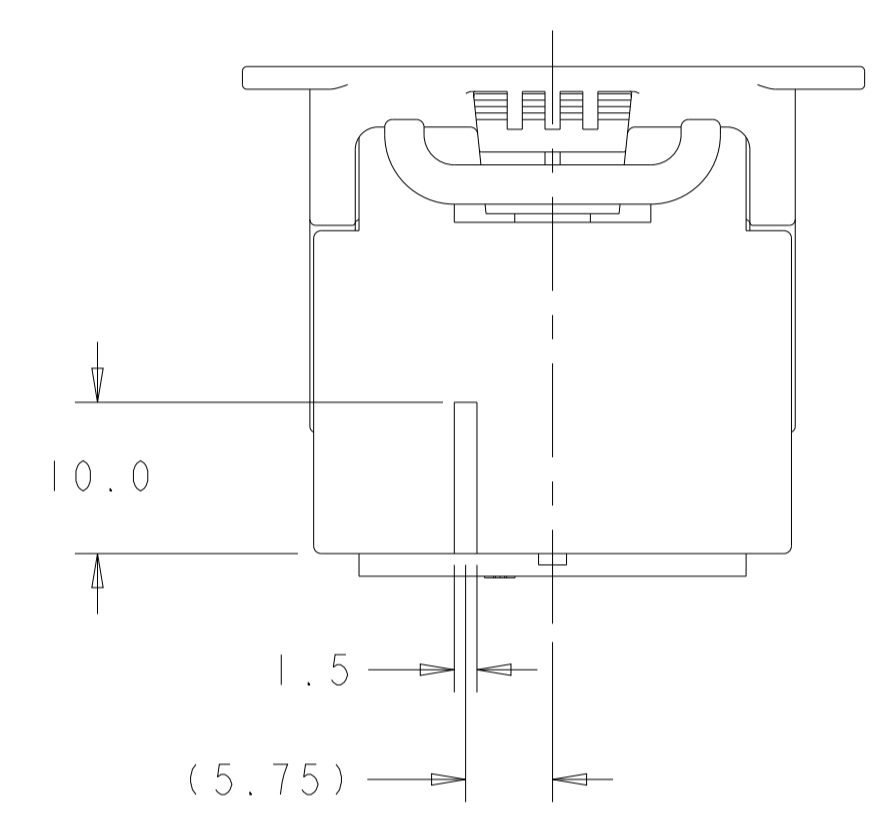


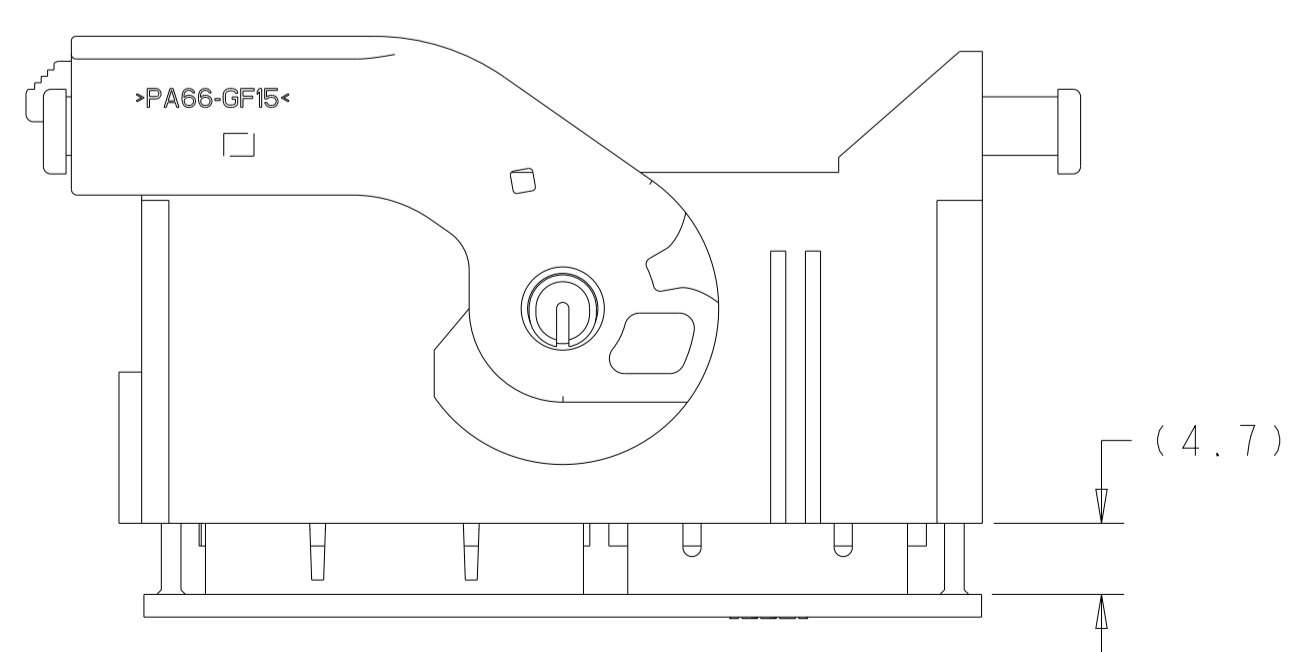
REVISIONS				
P	LTN	DESCRIPTION	DATE	APVD
A		RELEASED PER ECO-15-001164	23JAN2015	DLD MHB
A1		REVISED PER ECO-15-008754	11JUN2015	DLD MHB
A2		REVISED PER ECN-23-209545	26APR2023	SR LR



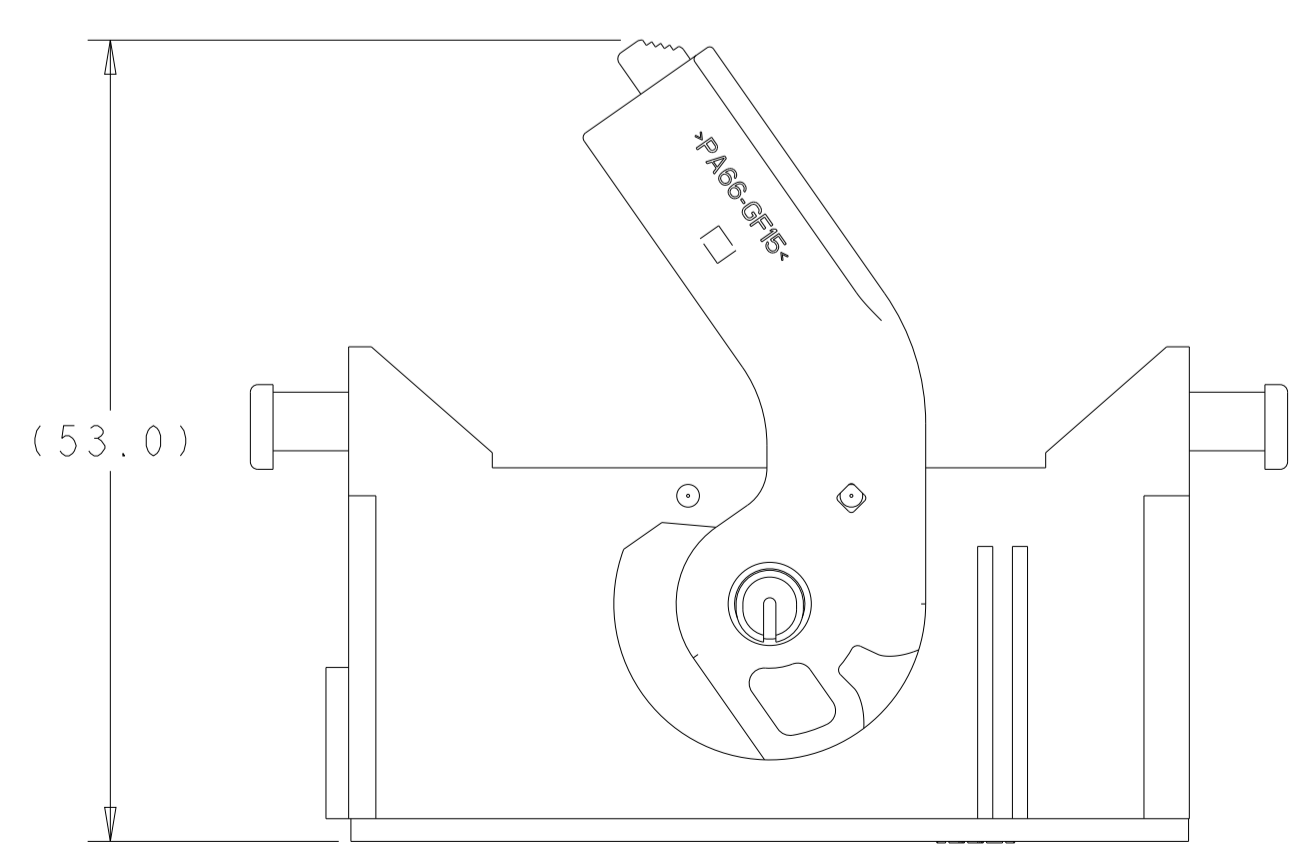
△ MATERIAL:
 PLUG HOUSING - NYLON, 35% GLASS FILLED, BLACK.
 LEVER - NYLON, 15% GLASS FILLED, BLACK.
 TPA - PBT, 15% GLASS FILLED, RED.



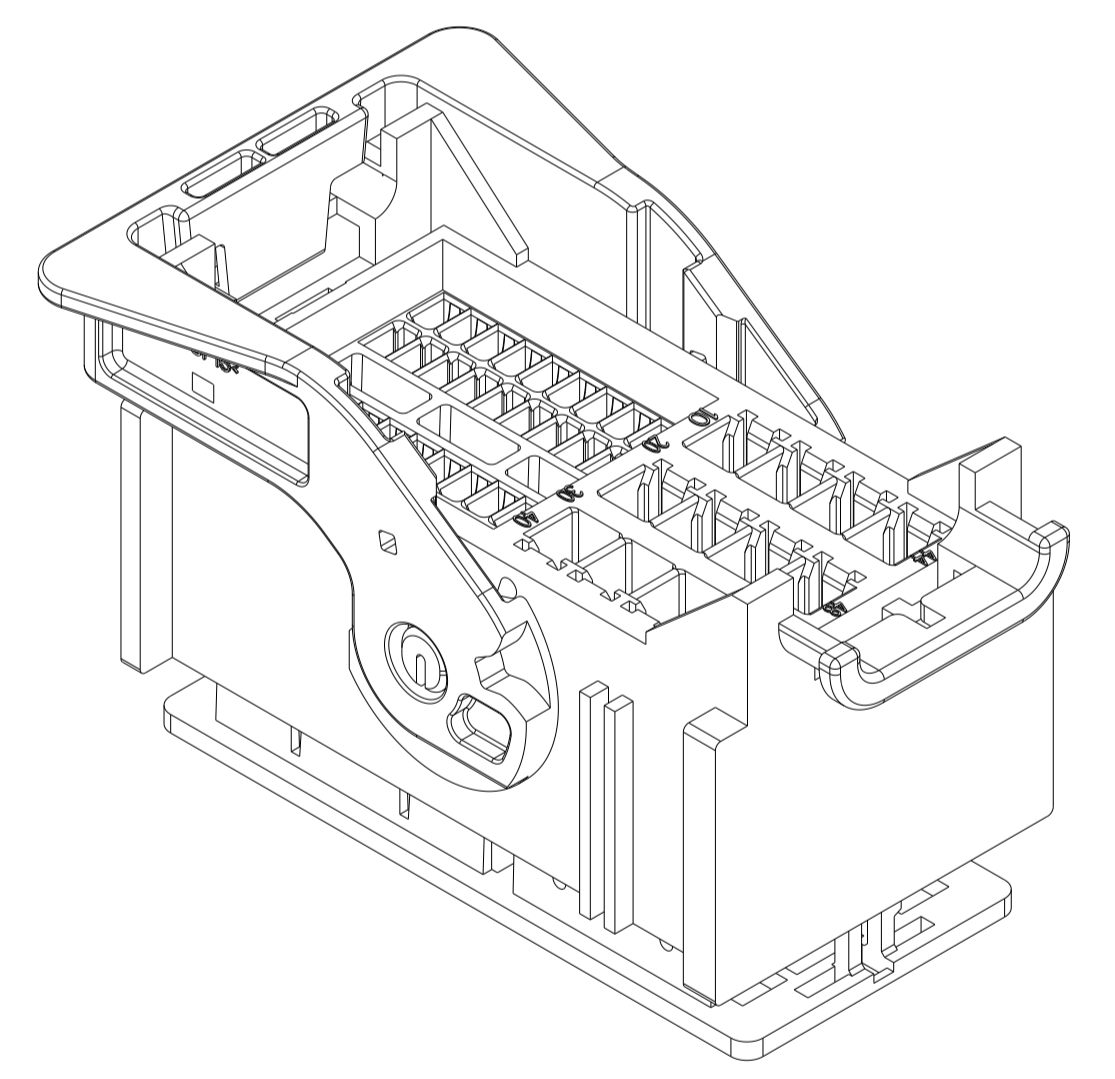
TPA REMOVED FOR CLARITY



SHIPPING CONFIGURATION



INSTALLATION CONFIGURATION

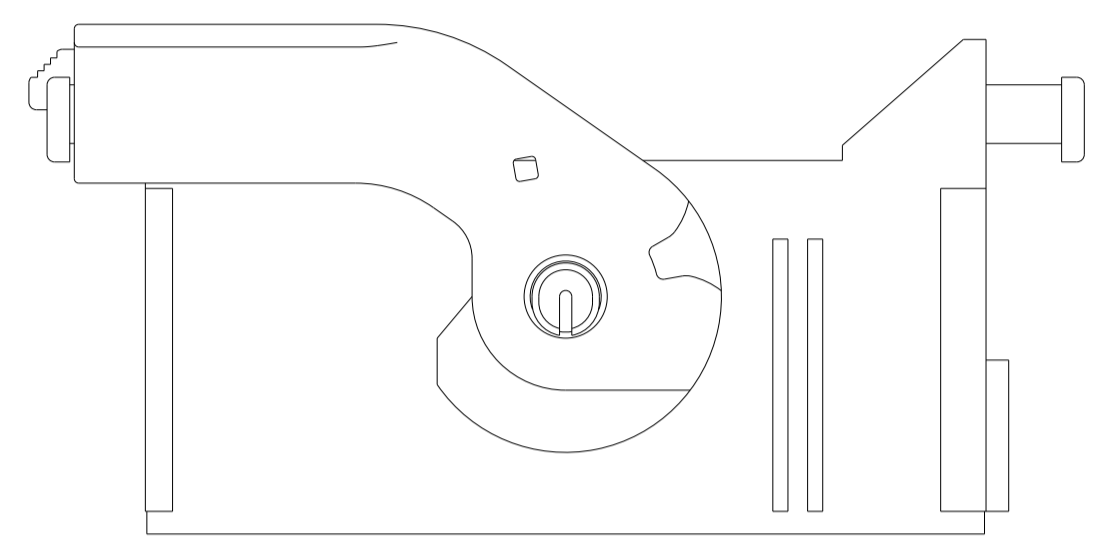


2203937-1

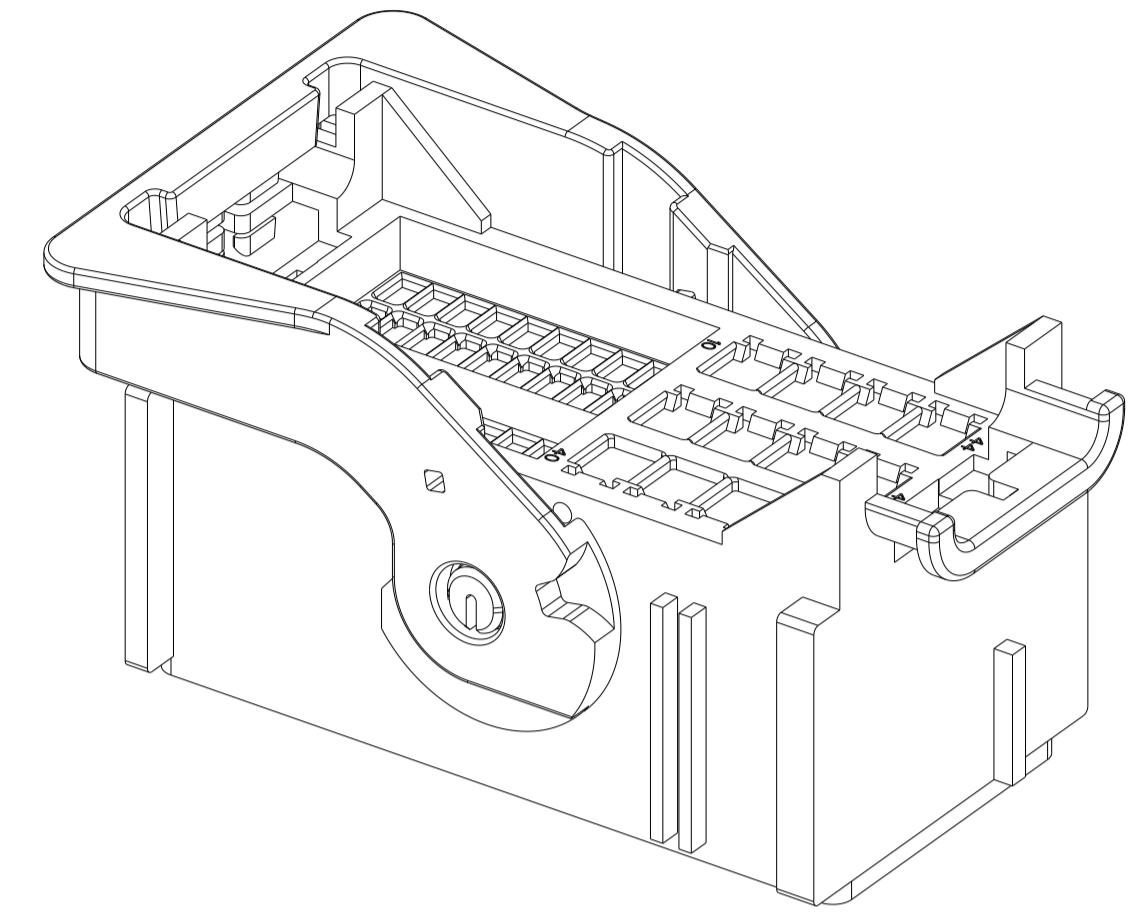
NO KEYING, SEE SH 2	2203937-5
SEE SHEET 2	2203937-4
SEE SHEET 2	2203937-3
SEE SHEET 2	2203937-2
AS SHOWN	2203937-1
DESCRIPTION	PART NUMBER

THIS DRAWING IS A CONTROLLED DOCUMENT.		OWN D. DRUMMOND 19JUL2013	TE Connectivity
DIMENSIONS: mm		CHK M. BANAS 19JUL2013	
TOLERANCES UNLESS OTHERWISE SPECIFIED: 0 PLC ±0.2 1 PLC ±0.10 2 PLC ±0.10 3 PLC ±0.10 4 PLC ±0.10 ANGLES ±0.5°		APVD M. BANAS 19JUL2013	NAME
MATERIAL		PRODUCT SPEC	PLUG ASSEMBLY, 52 POSITION, 2.8mm AND 0.64mm
FINISH		APPLICATION SPEC	RESTRICTED TO
SCALE 2:1		WEIGHT	SIZE CAGE CODE DRAWING NO
SHEET 1 OF 2		CUSTOMER DRAWING	A1 00779 ©=2203937
REV A2			

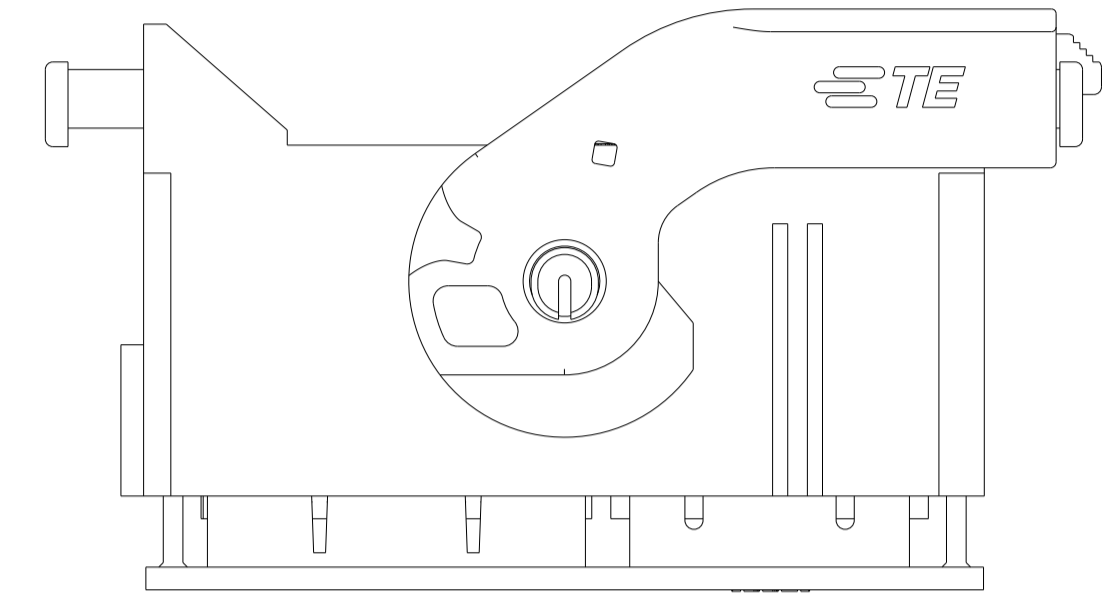
REVISIONS				
P	LTN	DESCRIPTION	DATE	APVD
-		SEE SHEET 1	-	-



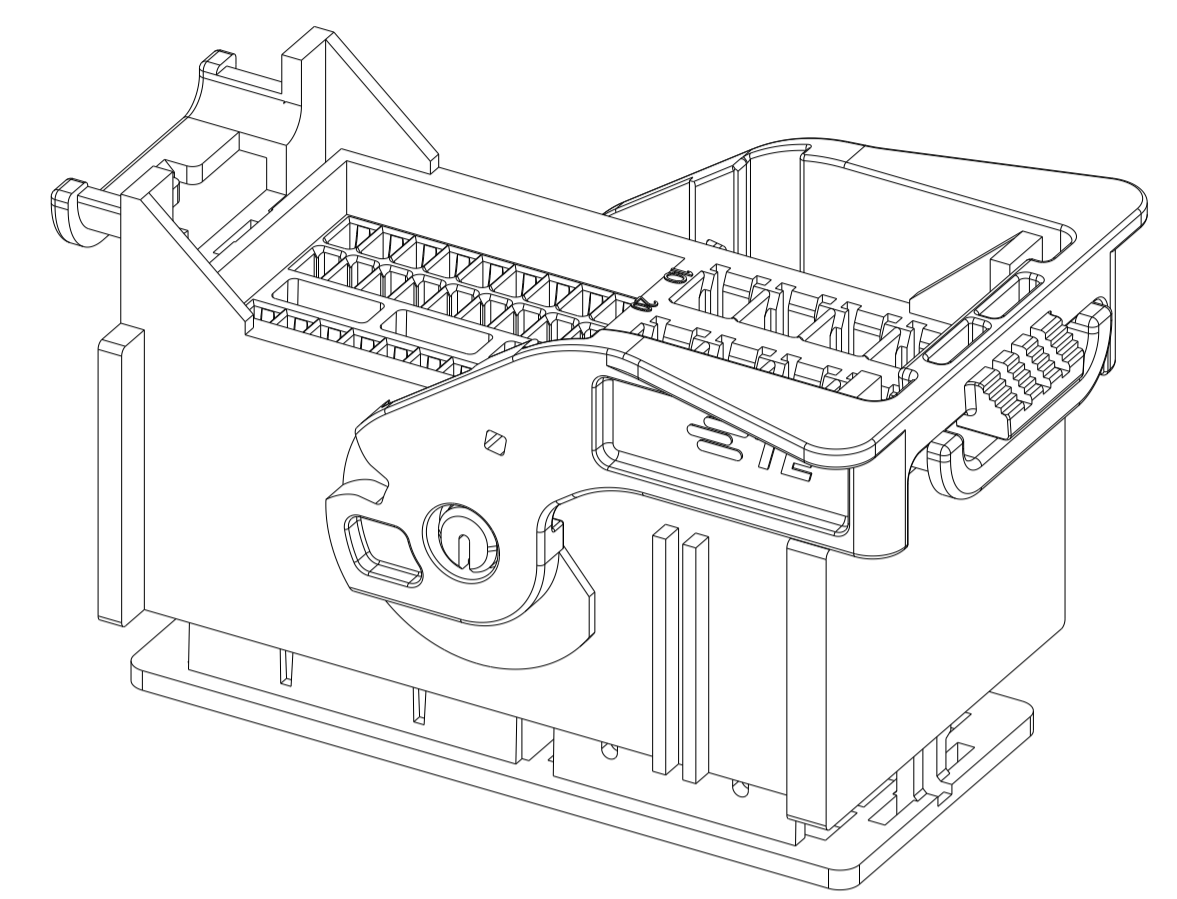
SHIPPING CONFIGURATION



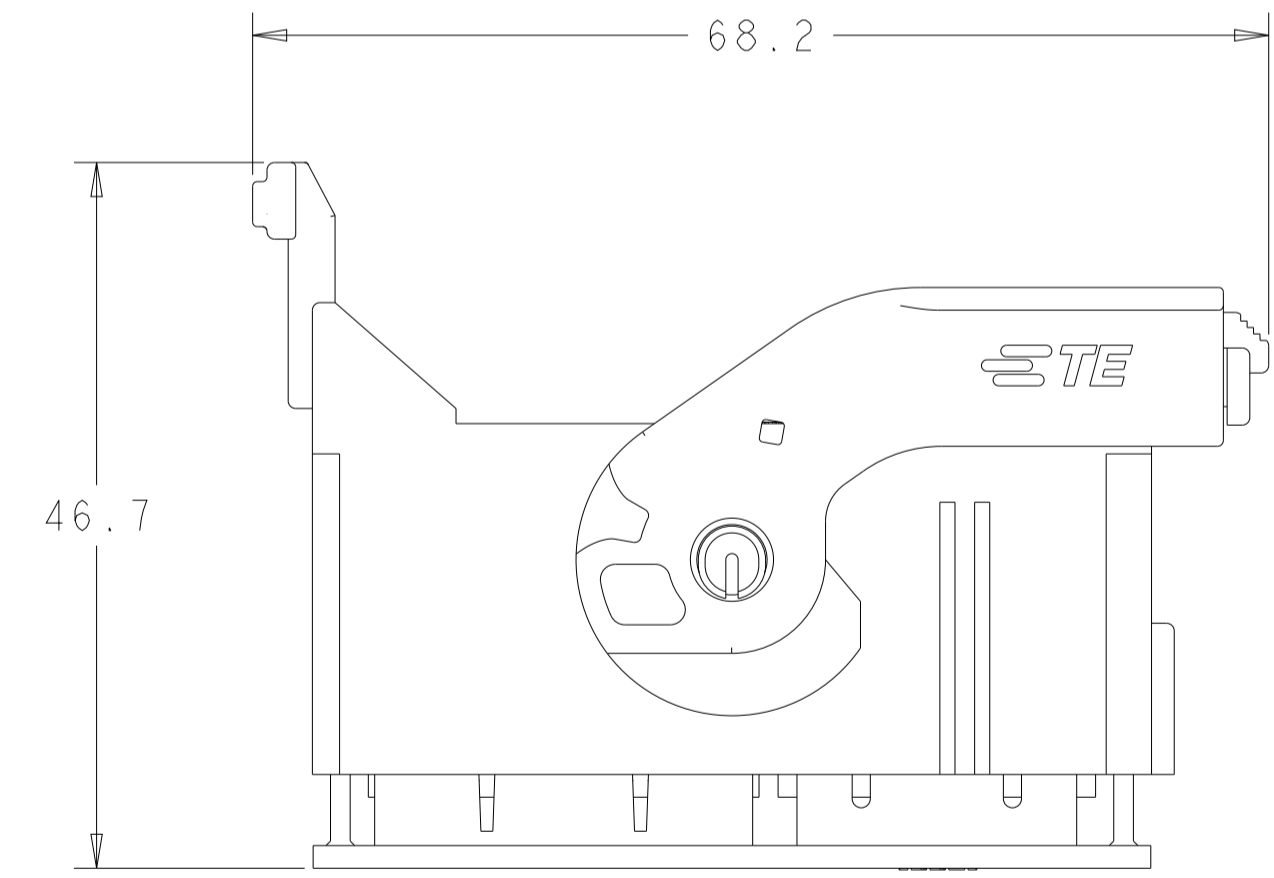
2203937-2



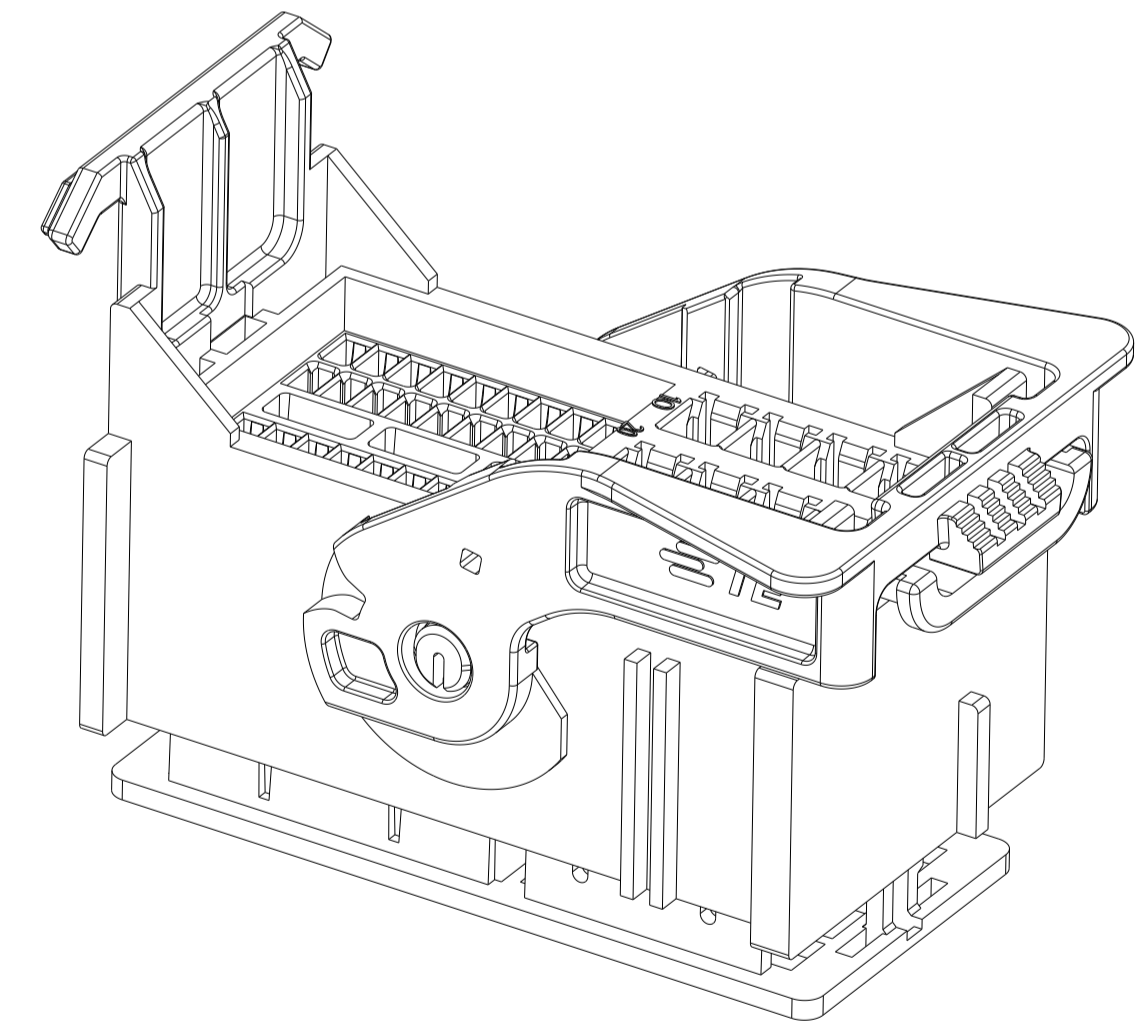
SHIPPING CONFIGURATION



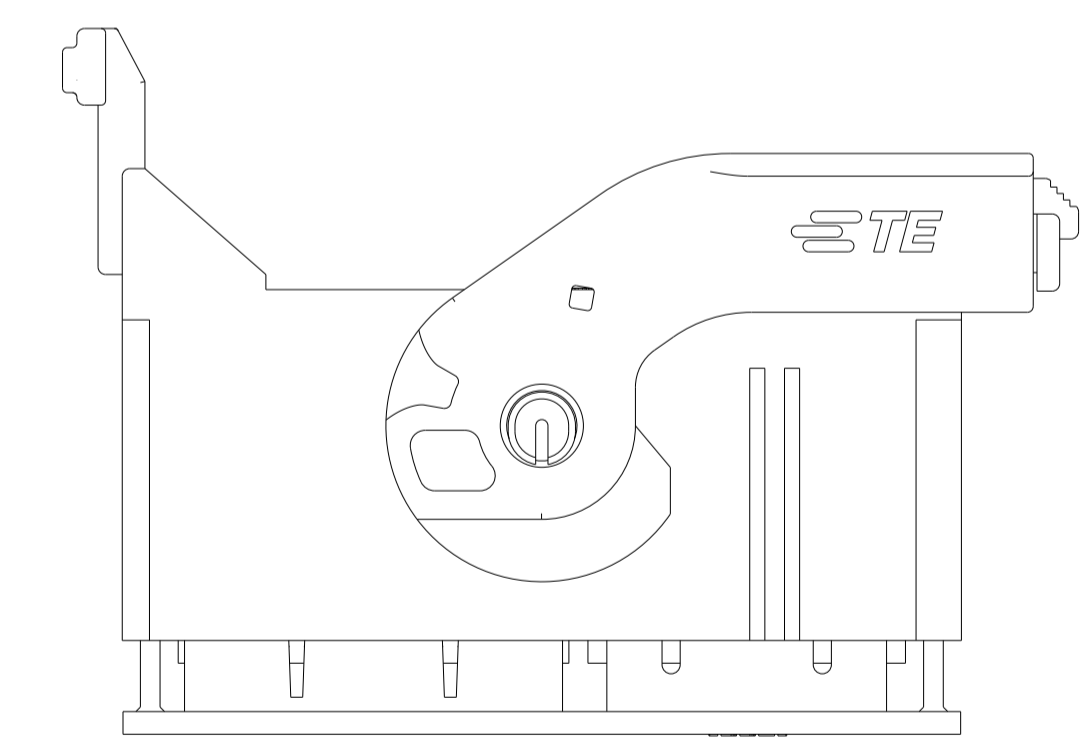
2203937-4



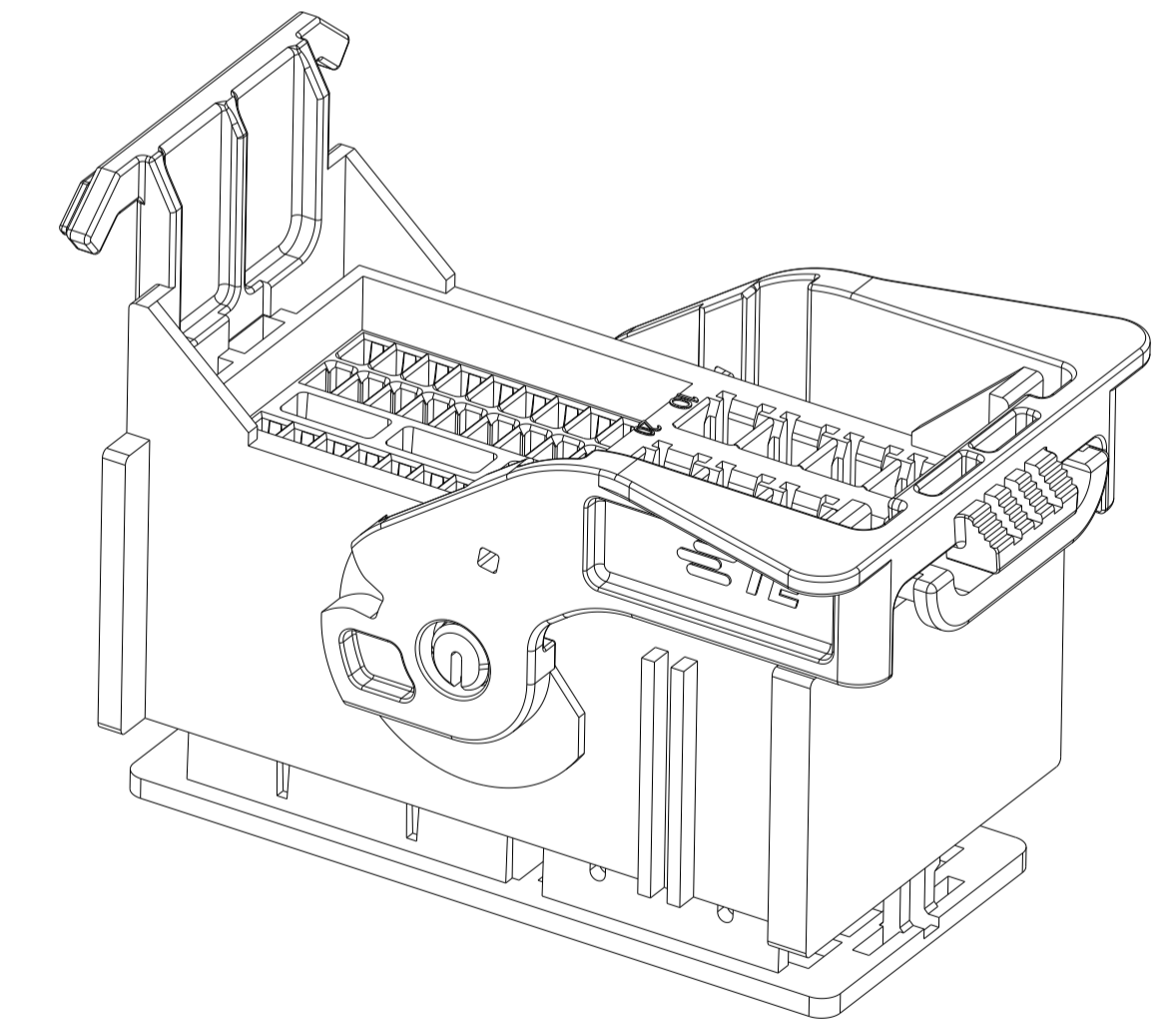
SHIPPING CONFIGURATION



2203937-3



SHIPPING CONFIGURATION



2203937-5
(WITHOUT KEYING)

THIS DRAWING IS A CONTROLLED DOCUMENT.		OWN: D. DRUMMOND 19 JUL 2013	TE Connectivity
DIMENSIONS: mm		CHK: M. BANAS 19 JUL 2013	
TOLERANCES UNLESS OTHERWISE SPECIFIED:		APVD: M. BANAS 19 JUL 2013	NAME: PLUG ASSEMBLY, 52 POSITION, 2.8mm AND 0.64mm
0 PLC ±	1 PLC ±0.2	PRODUCT SPEC	SIZE: A1
2 PLC ±0.10	3 PLC ±	APPLICATION SPEC	CAGE CODE: 100779
4 PLC ±	ANGLES ±	WEIGHT	DRAWING NO: 2203937
FINISH		CUSTOMER DRAWING	SCALE: 2:1
			SHEET 2 OF 2
			REV A2