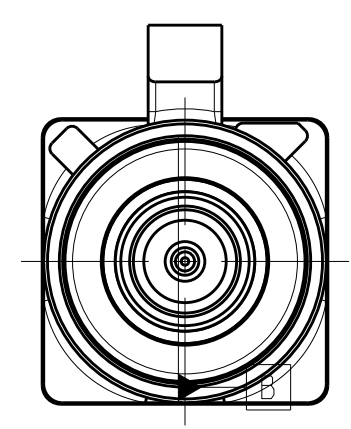
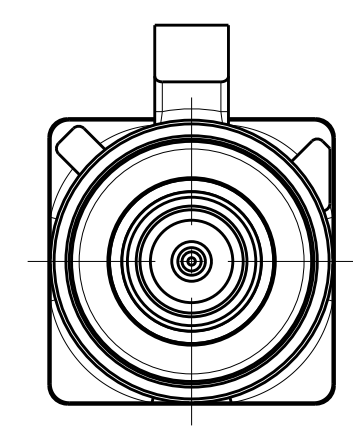


REVISIONS				
P.	LTM	DESCRIPTION	DATE	APVD
-		SEE SHEET 1	-	-

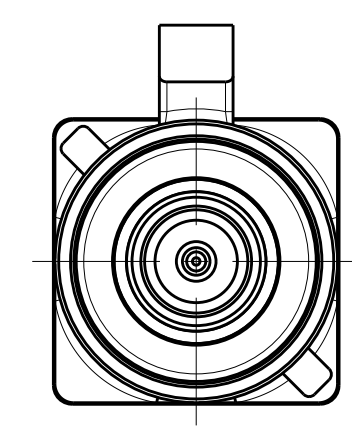
CODINGS



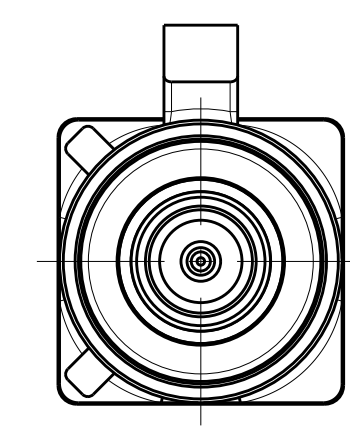
DETAIL A
SCALE 5:1



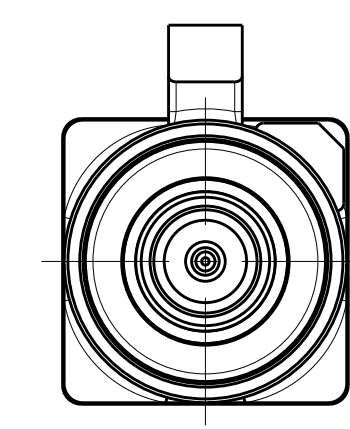
DETAIL B
SCALE 5:1



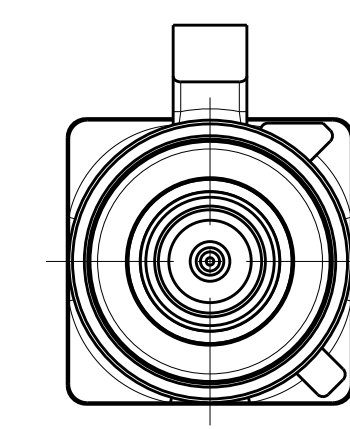
DETAIL C
SCALE 5:1



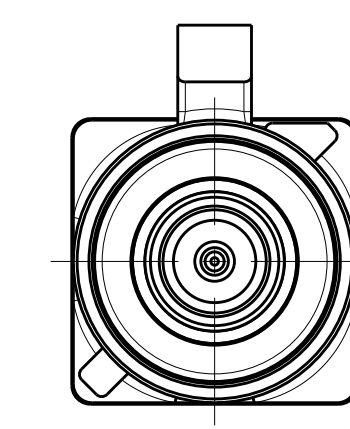
DETAIL D
SCALE 5:1



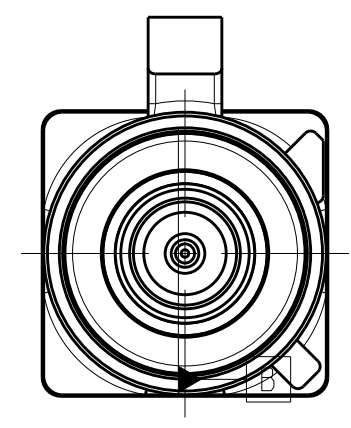
DETAIL E
SCALE 5:1



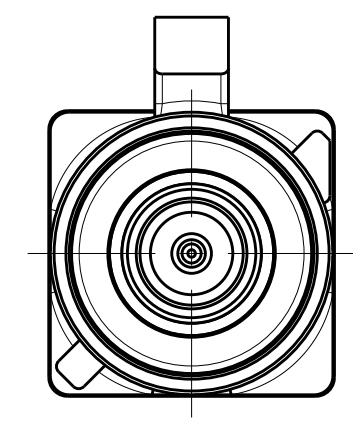
DETAIL F
SCALE 5:1



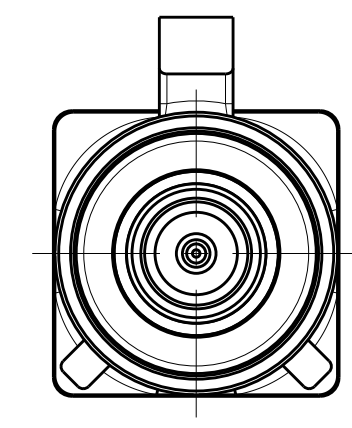
DETAIL G
SCALE 5:1



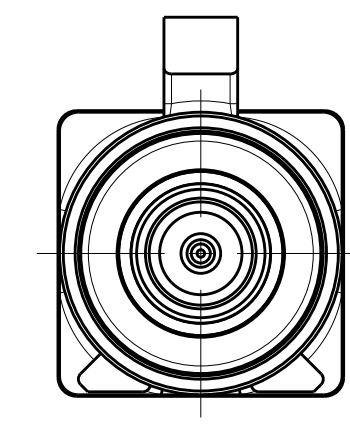
DETAIL H
SCALE 5:1



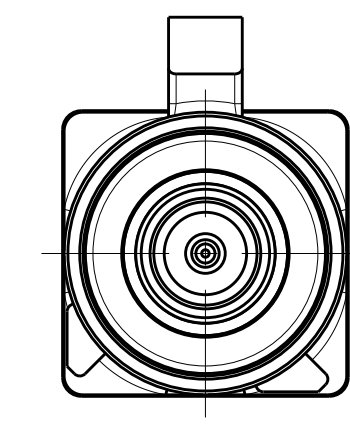
DETAIL I
SCALE 5:1



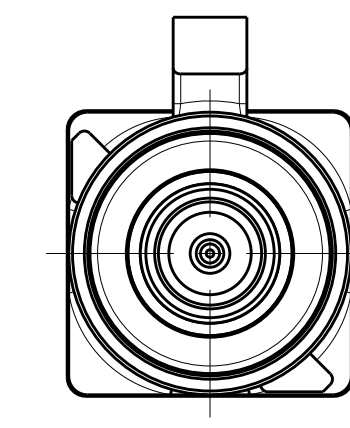
DETAIL K
SCALE 5:1



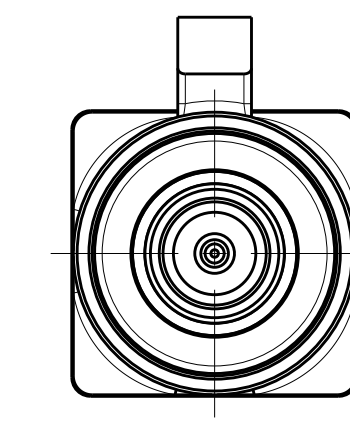
DETAIL L
SCALE 5:1



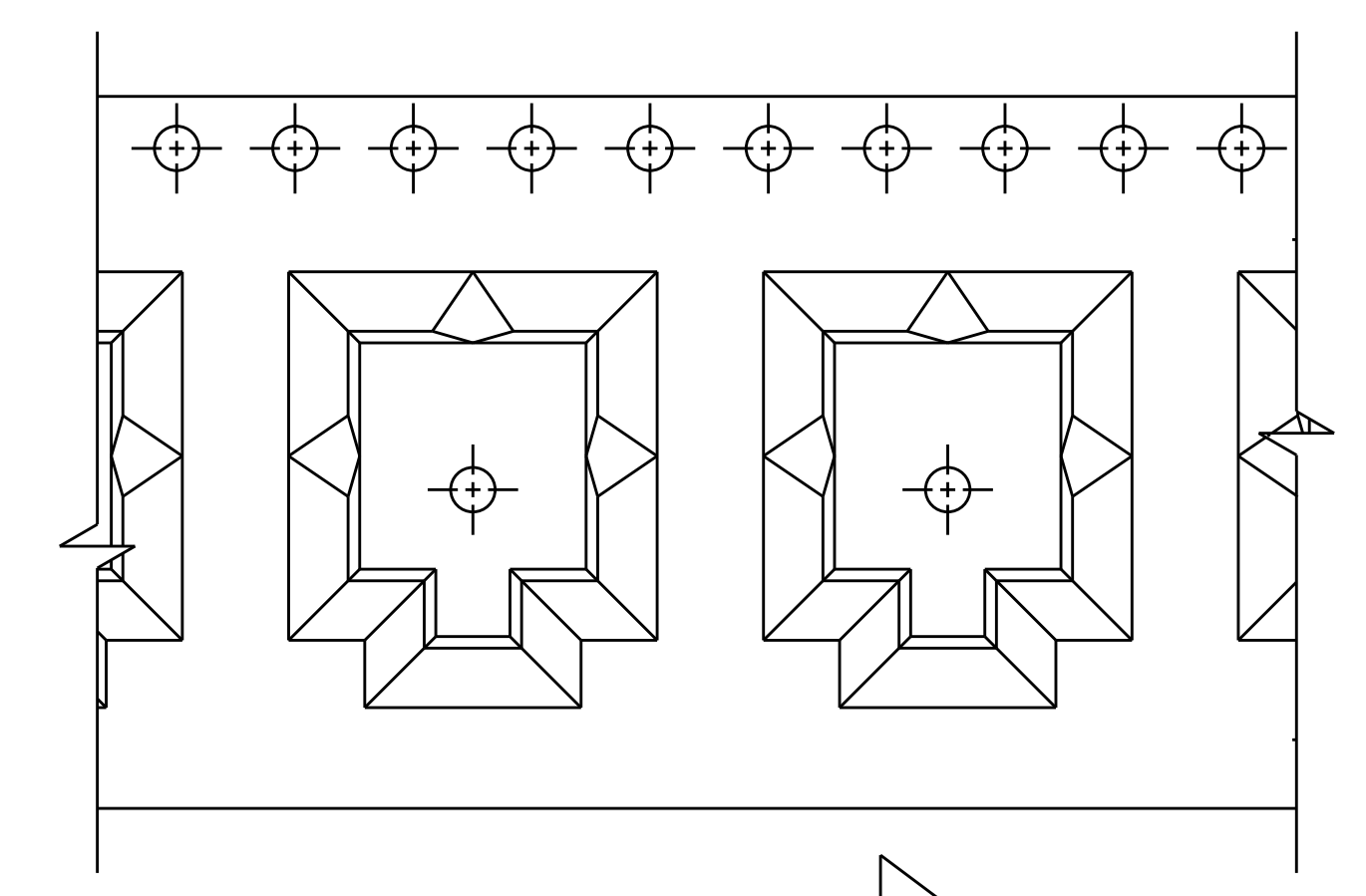
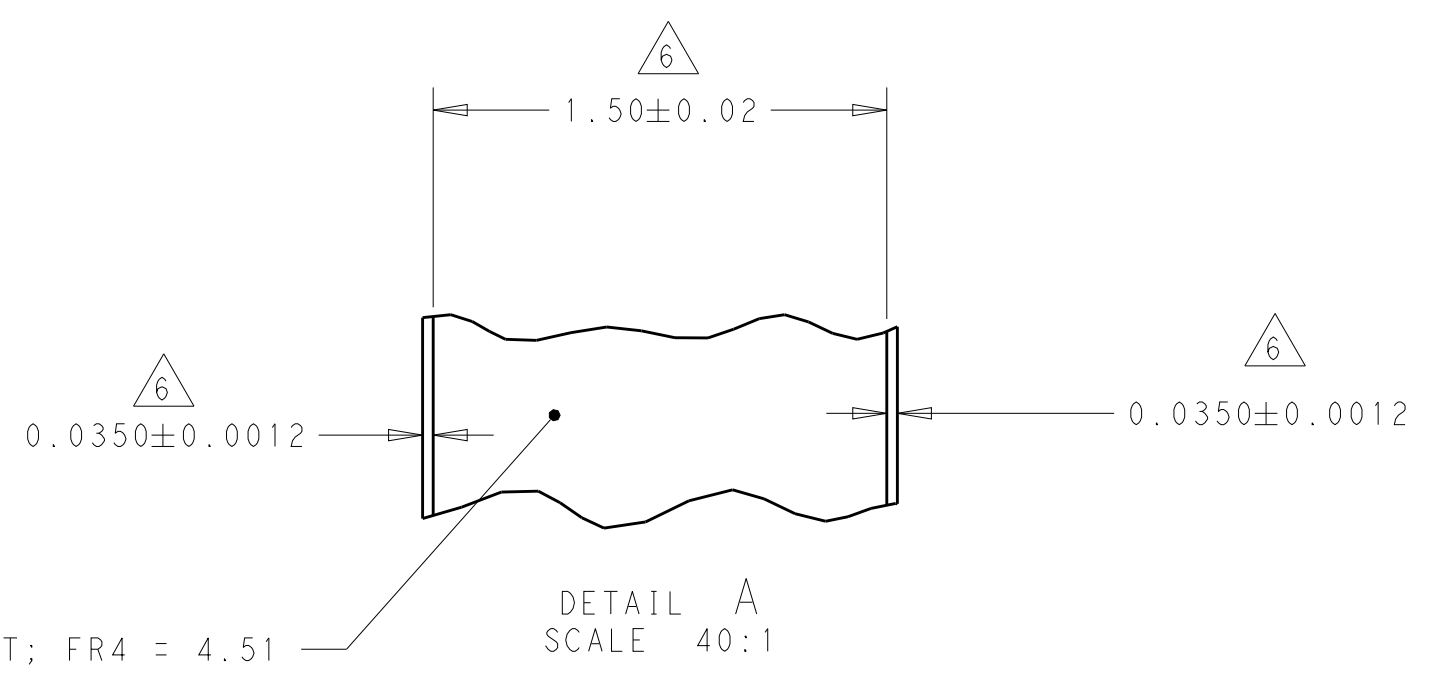
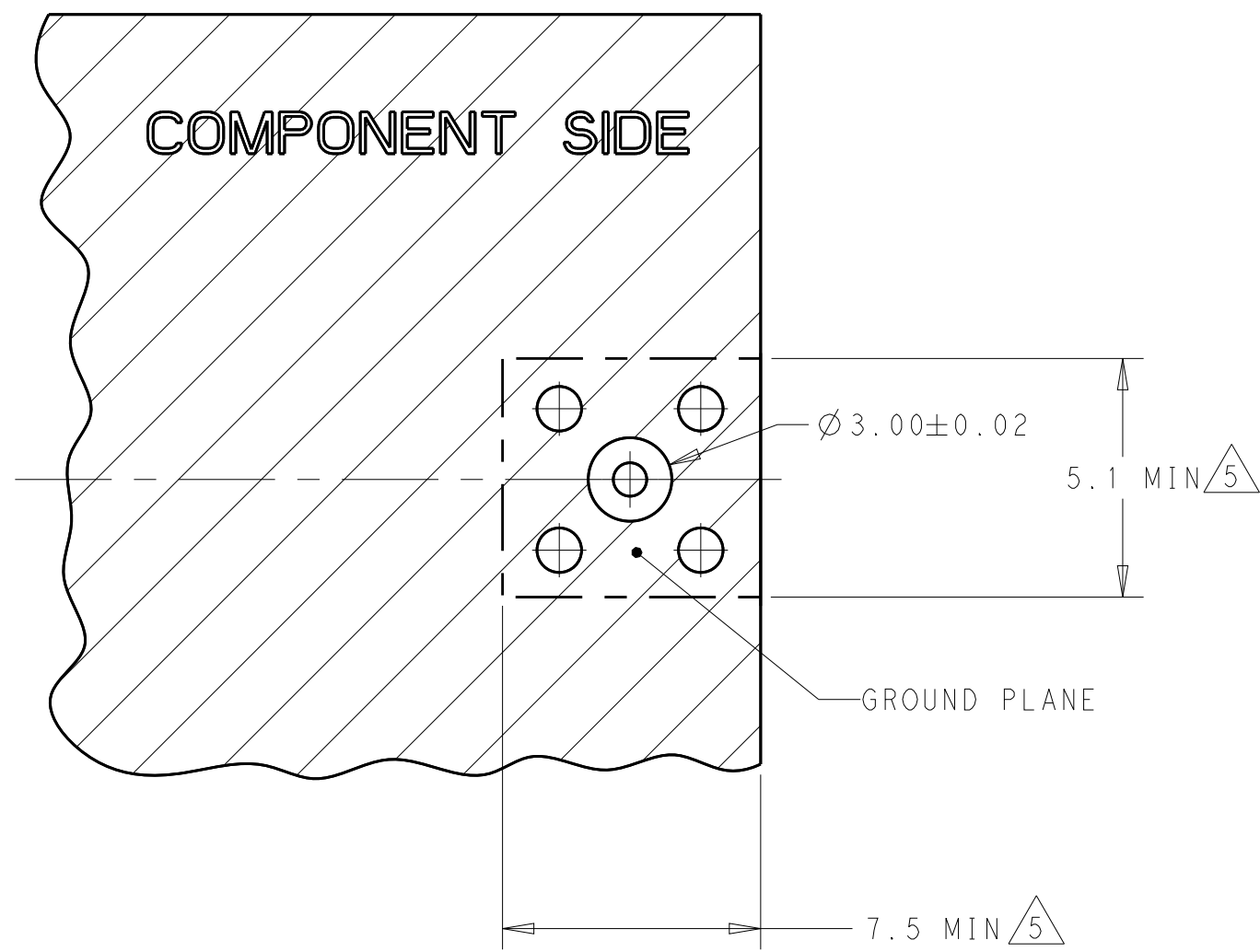
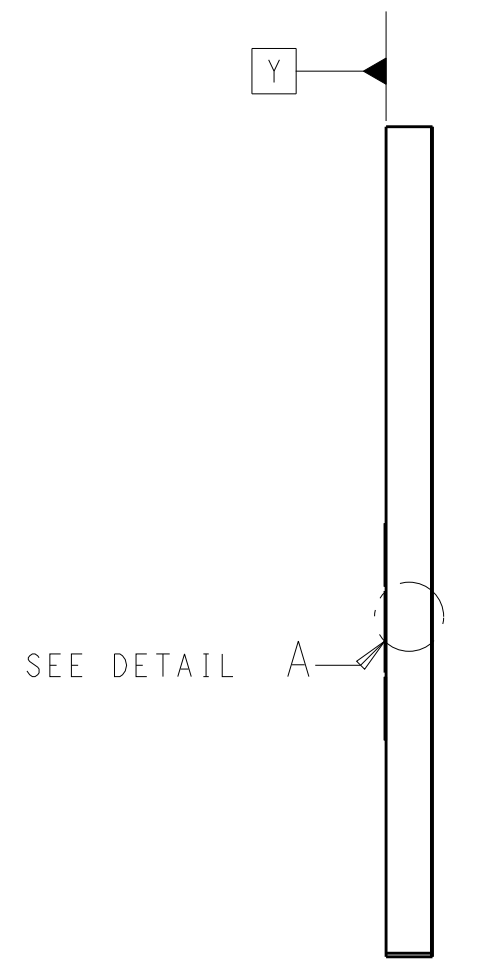
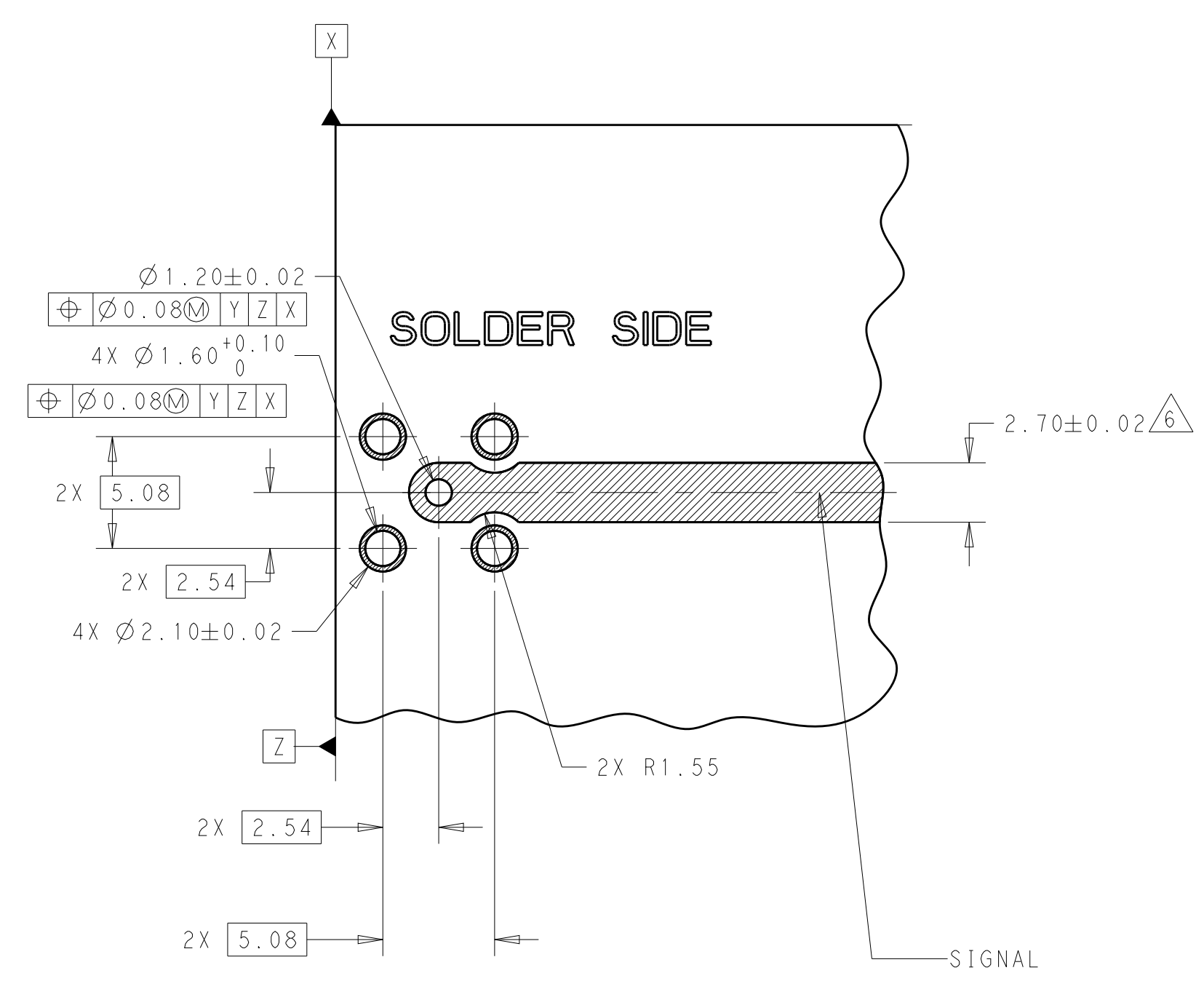
DETAIL M
SCALE 5:1



DETAIL N
SCALE 5:1



DETAIL Z
SCALE 5:1



6 MATERIAL DIELECTRIC CONSTANT; FR4 = 4.51

THIS DRAWING IS A CONTROLLED DOCUMENT.		DWN: R. FERNANDES 15MAY2013	TE Connectivity
		CHK: R. J. DEMARCHIS 15MAY2013	
DIMENSIONS:		APVD: R. J. DEMARCHIS 15MAY2013	NAME: MALE ASSEMBLY, 1 POSITION, VERTICAL, PCB, FAKRA SIZE: CAGE CODE DRAWING NO. RESTRICTED TO 108-32058 APPLICATION SPEC 114-32108 WEIGHT: 4 CUSTOMER DRAWING
TOLERANCES UNLESS OTHERWISE SPECIFIED: 0 PLC ± 1 PLC ±0.08 2 PLC ± 3 PLC ± 4 PLC ± ANGLES ± FINISH ± SEE TABLE		PRODUCT SPEC: APPLICATION SPEC: WEIGHT: 4 CUSTOMER DRAWING	
MATERIAL: -		SCALE: 8:1	SHEET 2 OF 2 REV C2