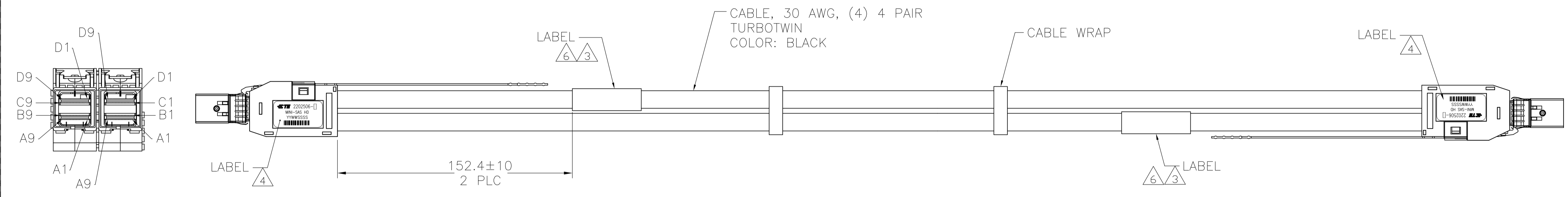
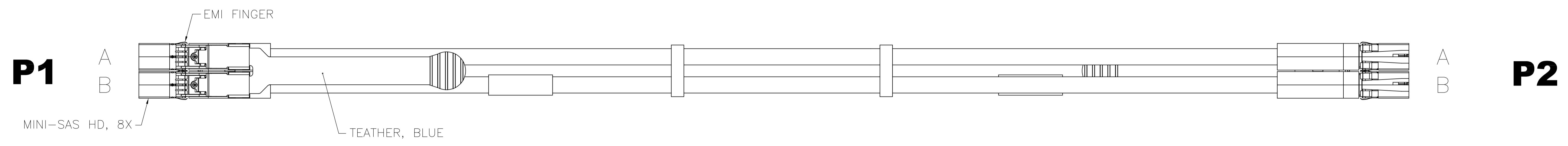
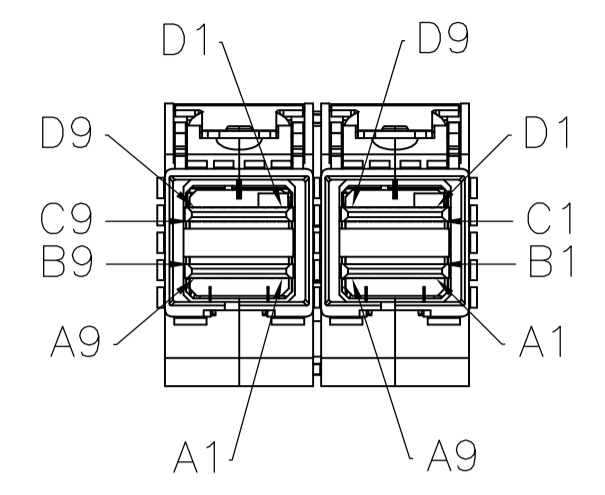
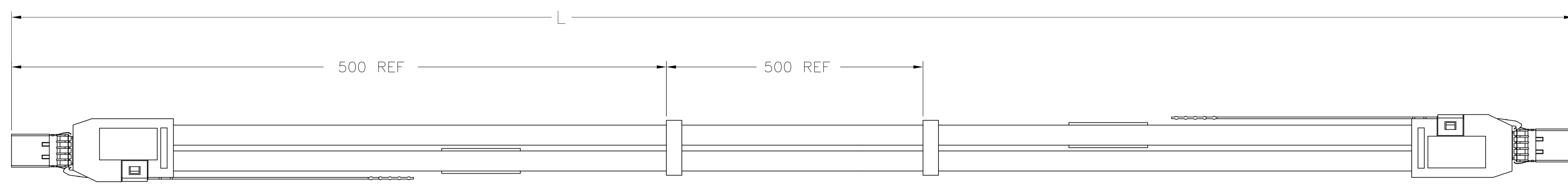
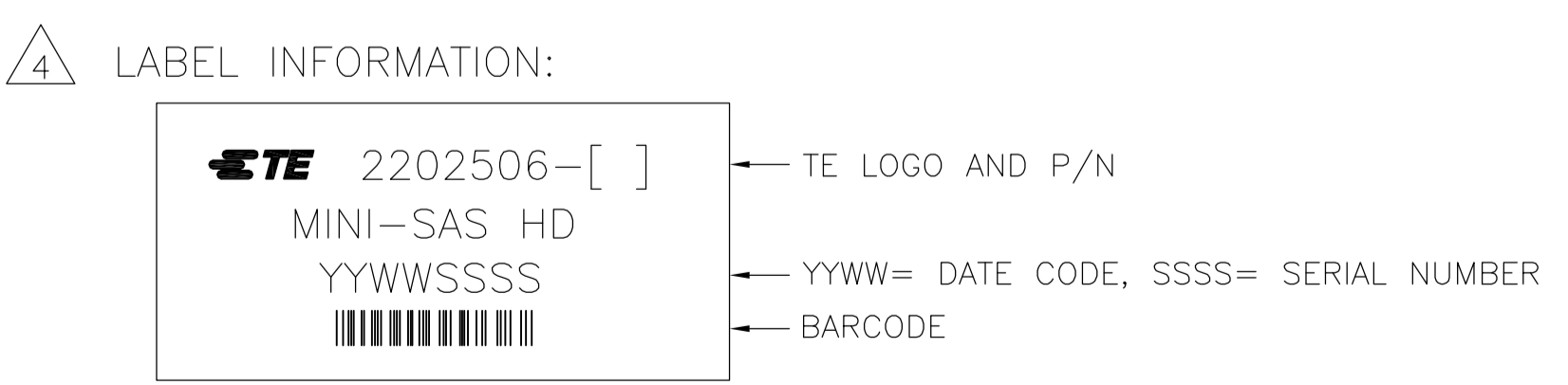
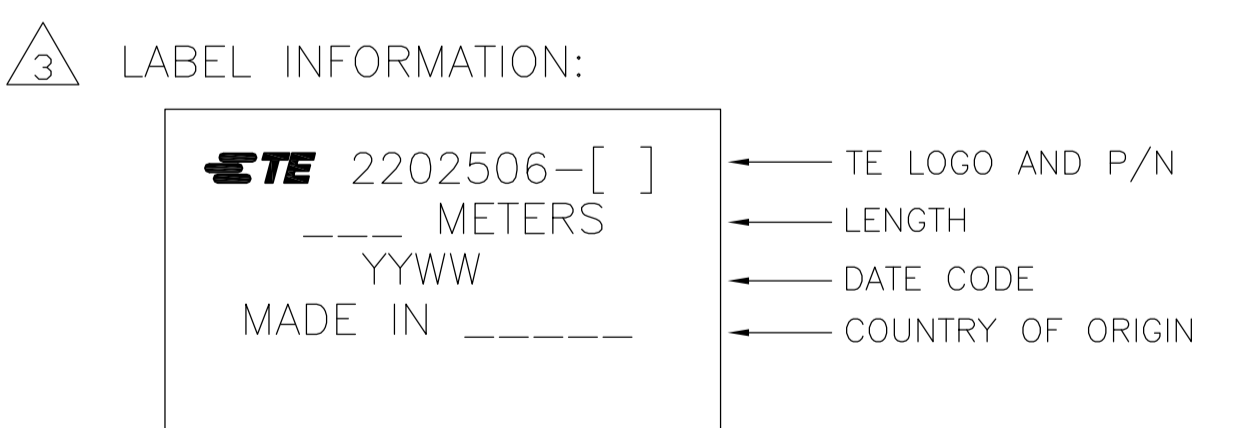


REVISIONS					
P	LTR	DESCRIPTION	DATE	DWN	APVD
E		REVISED PER ECO-15-016946	21MAR2016	PL	GF



1. ASSEMBLY TESTED FOR CONTINUITY, OPENS, SHORTS, EEPROM PROGRAM AND SIGNAL INTEGRITY.
2. ROHS AND REACH COMPLIANCE: PRODUCT AND PROCESSING MEETS REQUIREMENTS OF TE SPECIFICATION TEC-138-702.



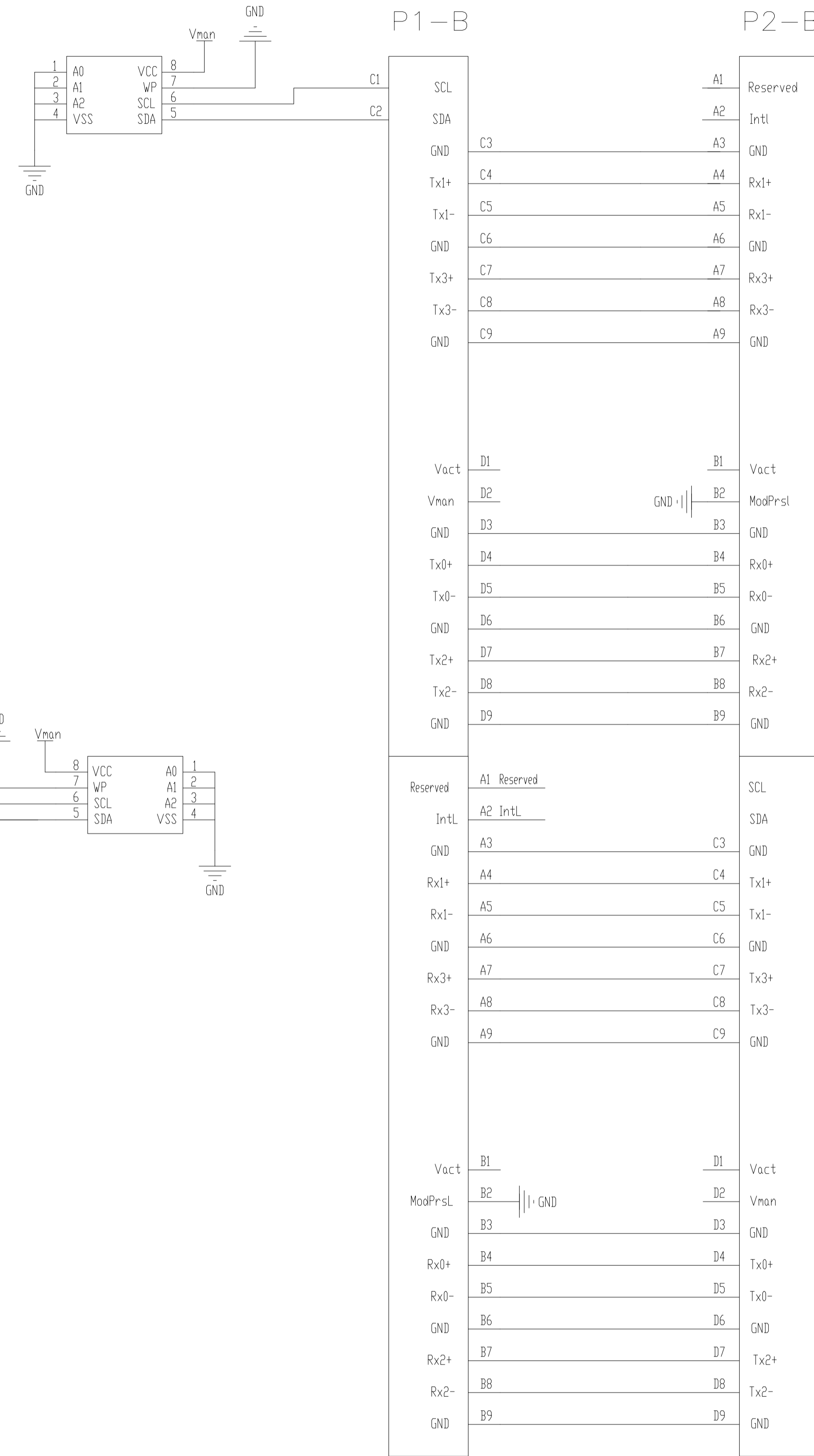
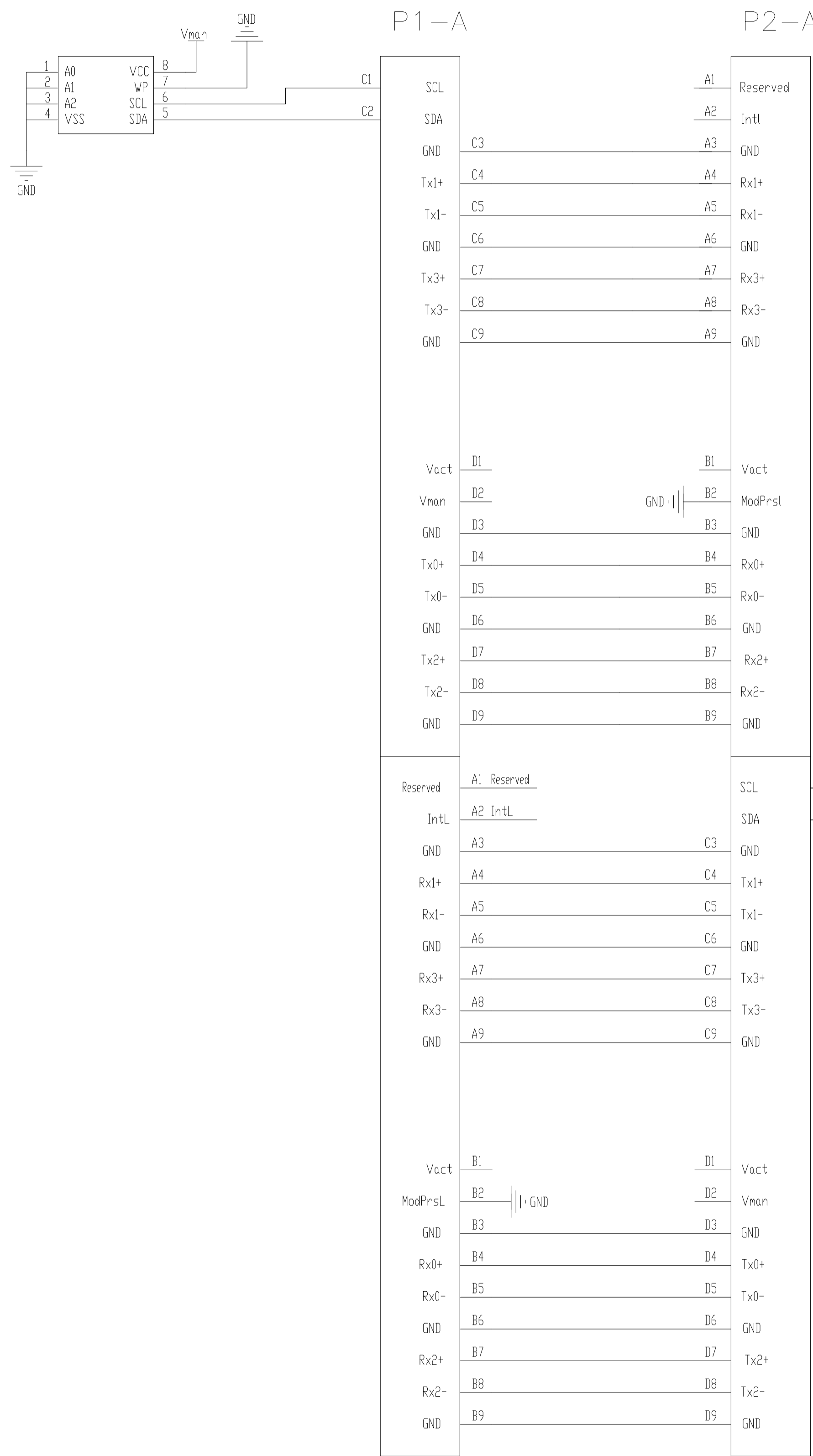
5. EEPROM PROGRAMMED PER TE DOCUMENT 2202506_EEPROM.

△6 -1 ONLY: LABEL IS APPLIED TO THE CENTER OF CABLE ASSEMBLY.

3 ^{+0.08} ₋₀ METERS	2202506-4
2 ^{+0.08} ₋₀ METERS	2202506-3
1 ^{+0.08} ₋₀ METERS	2202506-2
0.5 ^{+0.05} ₋₀ METERS	2202506-1 △6
L	PART NO

THIS DRAWING IS A CONTROLLED DOCUMENT.		DIN P.LI 09MAR2012	TE Connectivity	
DIMENSIONS: mm		CHK J.MEYERS 09MAR2012	NAME	
TOLERANCES UNLESS OTHERWISE SPECIFIED:		APVD J.MEYERS 09MAR2012	CABLE ASSEMBLY, 30 AWG TURBOTWIN, MINI-SAS HD, 8X	
0 PLC	± -	PRODUCT SPEC	APPLICATION SPEC	
1 PLC	± -		SIZE	
2 PLC	± -		CAGE CODE	
3 PLC	± -		DRAWING NO	
4 PLC	± -		RESTRICTED TO	
ANGLES	± -		A1 00779 C=2202506	
MATERIAL	FINISH	WEIGHT	CUSTOMER DRAWING	
		SCALE	SHEET 1 OF 2 REV E	

REVISIONS				
P	LTR	DESCRIPTION	DATE	APPD
-	-	SEE SHEET 1	-	-



THIS DRAWING IS A CONTROLLED DOCUMENT.		DIN T. SMITH 04APR2011		TE Connectivity	
DIMENSIONS: mm		CHK J. MEYERS 04APR2011			
TOLERANCES UNLESS OTHERWISE SPECIFIED:		APPD J. MEYERS 04APR2011		NAME	
0. PLC ± -		PRODUCT SPEC		CABLE ASSEMBLY, 30AWG TURBOTWIN, MINI-SAS HD, 8X	
1. PLC ± -		APPLICATION SPEC		SIZE CAGE CODE DRAWING NO	
2. PLC ± -		WEIGHT 0		A1 00779 C=2202506	
3. PLC ± -		CUSTOMER DRAWING		SCALE 1:1 SHEET 2 OF 2 REV E	
4. PLC ANGLES ± -					