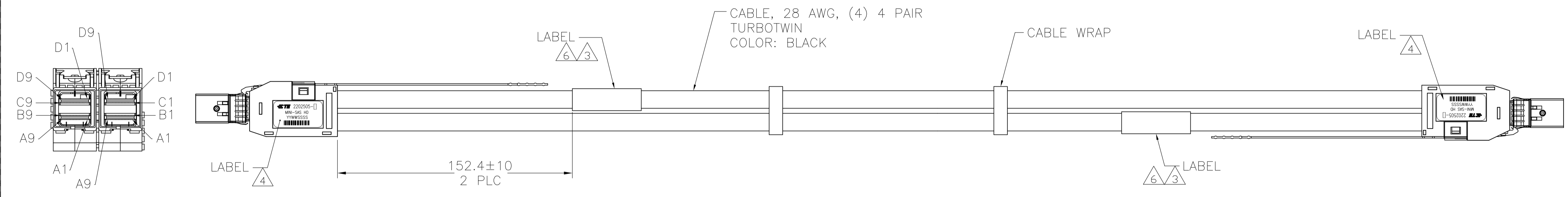
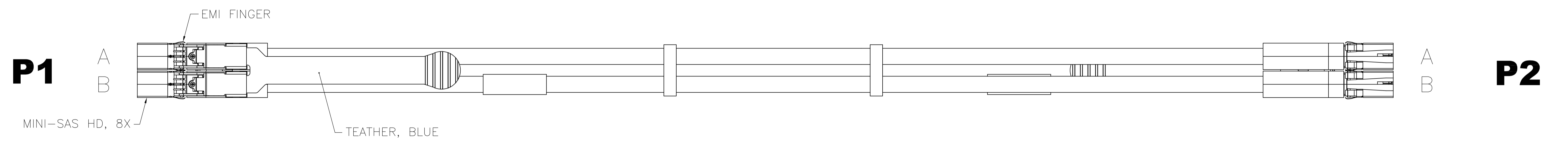
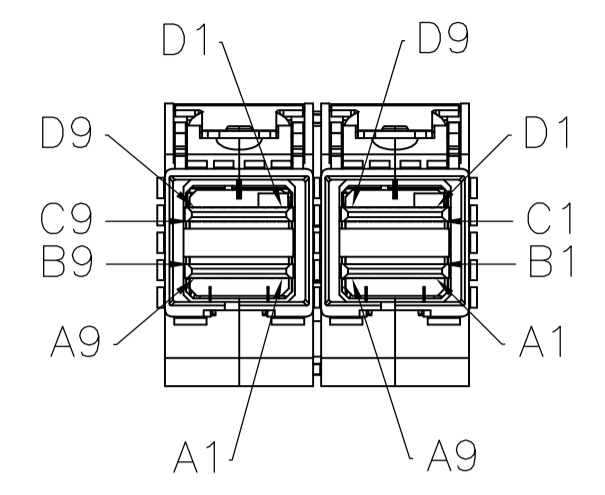
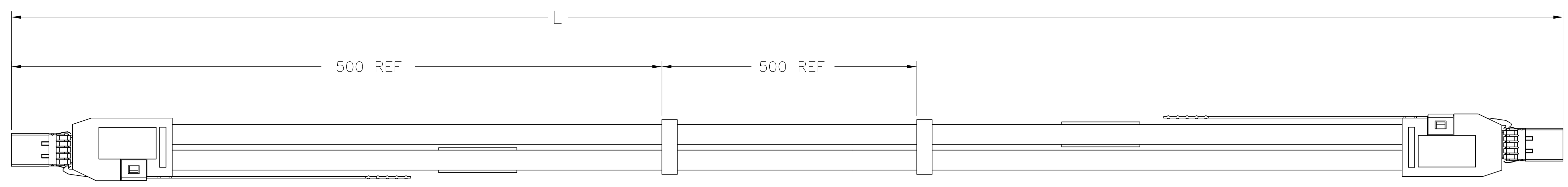
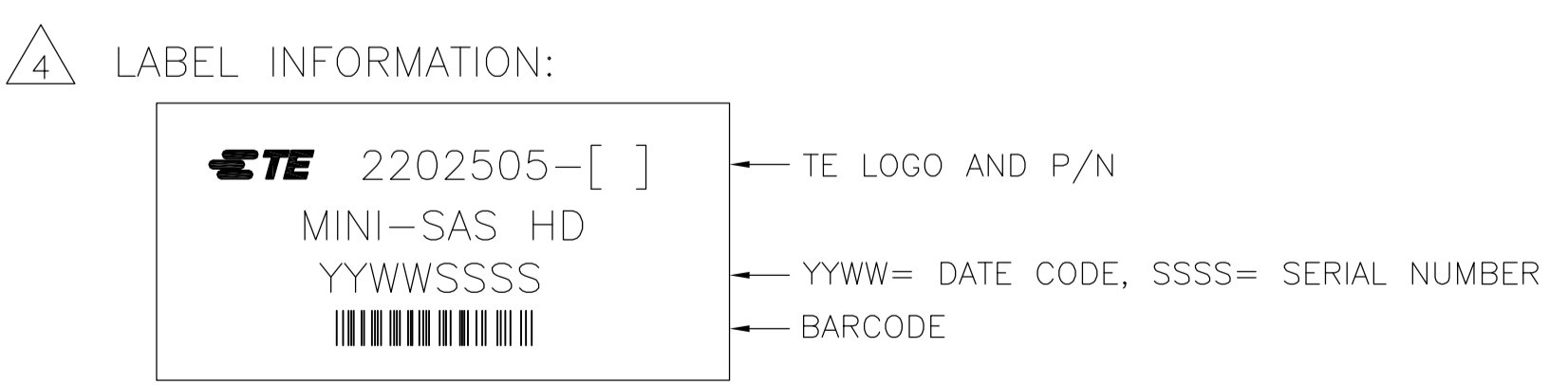
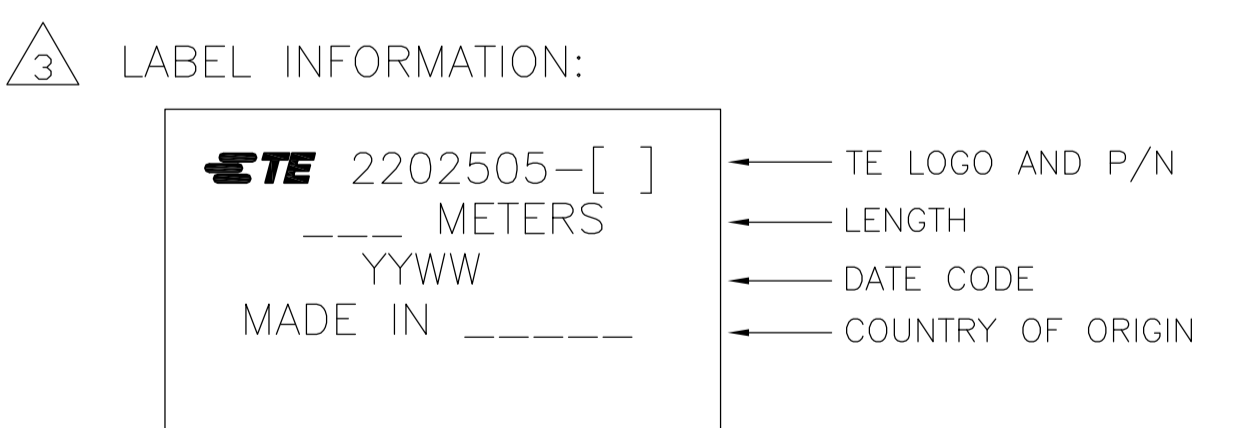


REVISIONS					
P	LTR	DESCRIPTION	DATE	DMN	APVD
E		REVISED PER ECO-15-016946	21MAR2016	PL	GF



1. ASSEMBLY TESTED FOR CONTINUITY, OPENS, SHORTS, EEPROM PROGRAM AND SIGNAL INTEGRITY.
2. ROHS AND REACH COMPLIANCE: PRODUCT AND PROCESSING MEETS REQUIREMENTS OF TE SPECIFICATION TEC-138-702.

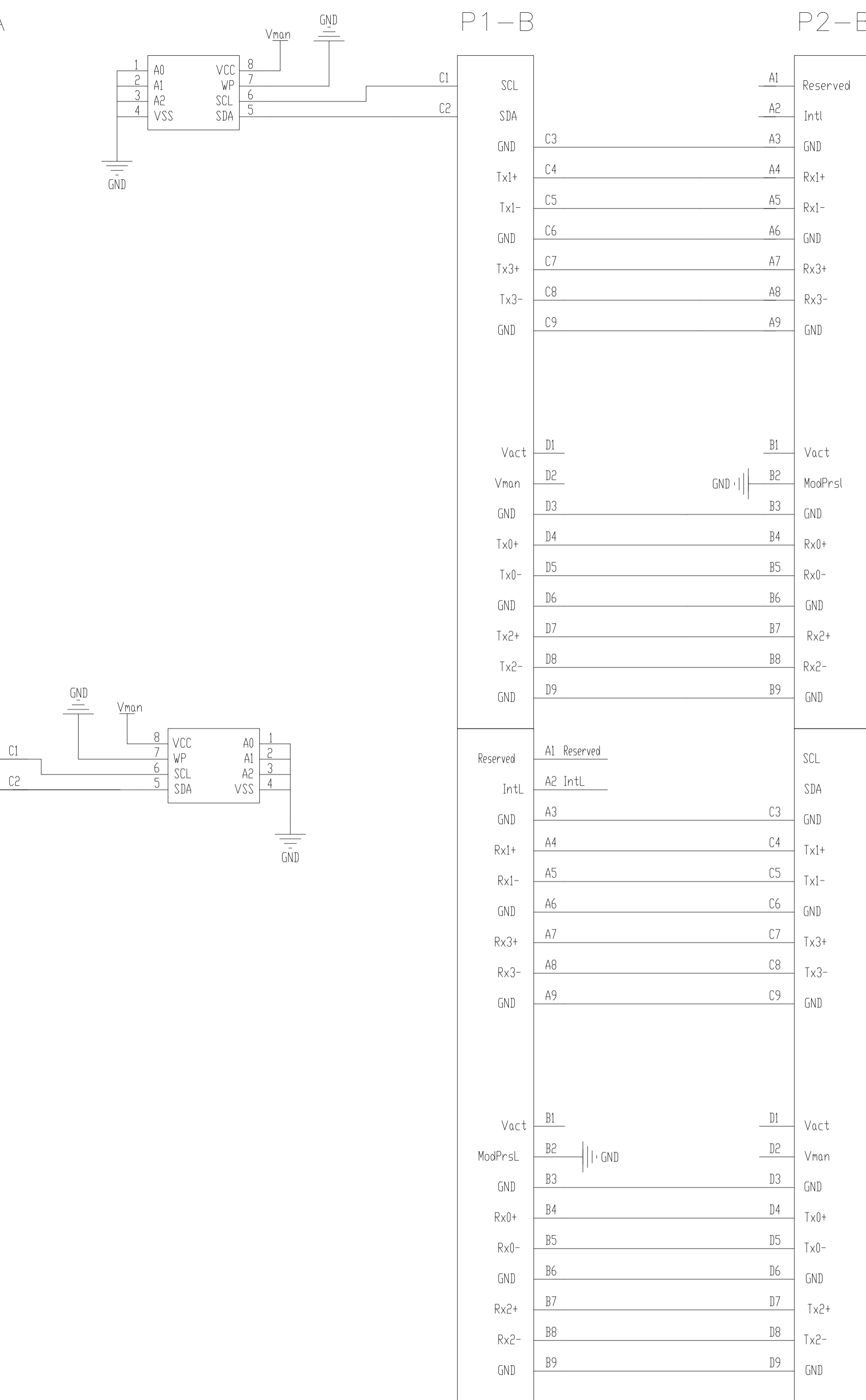
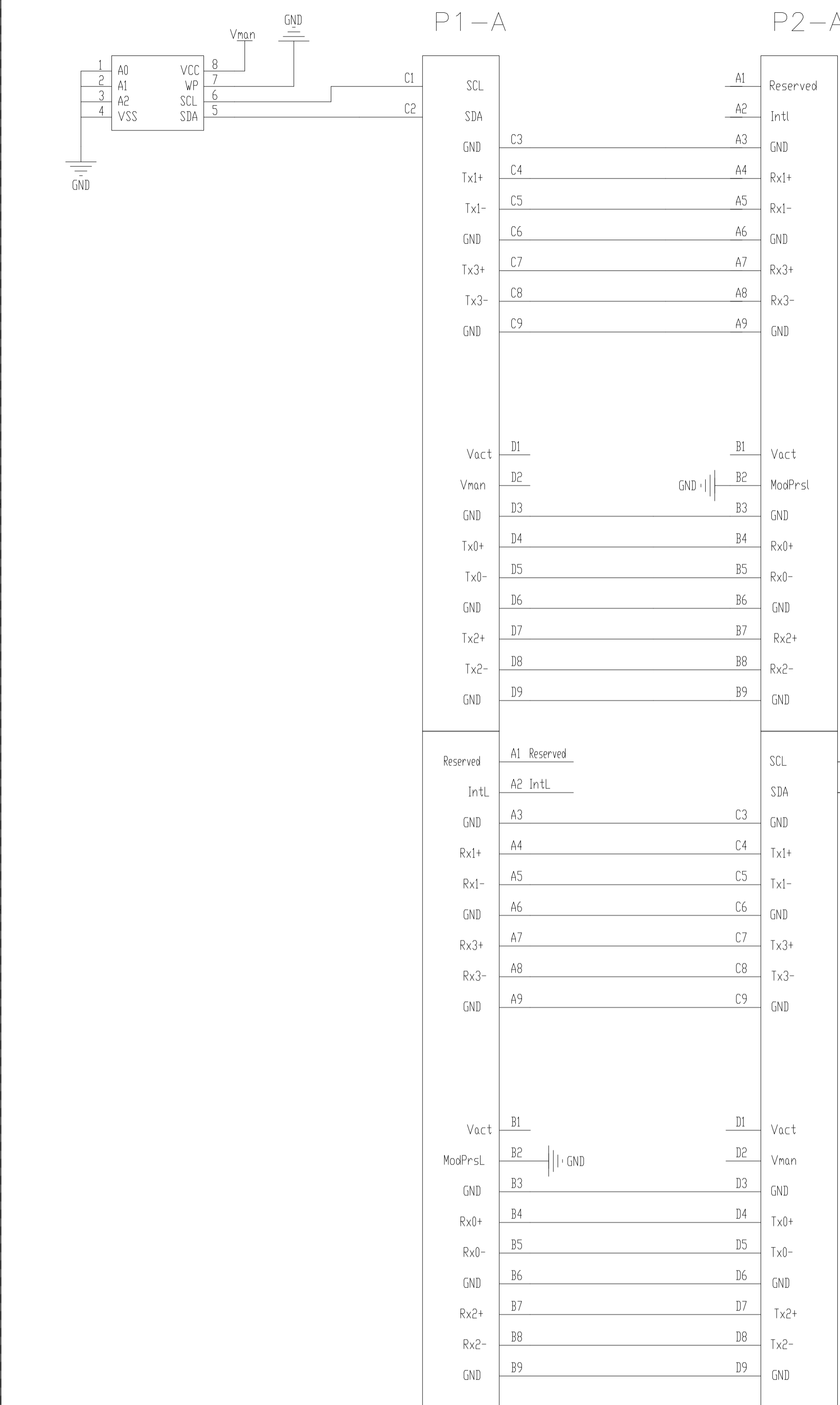


5. EEPROM PROGRAMMED PER TE DOCUMENT 2202505_EEPROM.
- △6 -1 ONLY: LABEL IS APPLIED TO THE CENTER OF CABEL ASSEMBLY.

5	+0.1 -0	METERS	2202505-6
4	+0.08 -0	METERS	2202505-5
3	+0.08 -0	METERS	2202505-4
2	+0.08 -0	METERS	2202505-3
1	+0.08 -0	METERS	2202505-2
0.5	+0.05 -0	METERS	2202505-1 △6
L			PART NO

THIS DRAWING IS A CONTROLLED DOCUMENT.		DIN P.LI 09MAR2012	TE Connectivity	
DIMENSIONS: mm	TOLERANCES UNLESS OTHERWISE SPECIFIED:	CHK J.MEYERS 09MAR2012	APVD J.MEYERS 09MAR2012	NAME
	0 PLC ± - 1 PLC ± - 2 PLC ± - 3 PLC ± - 4 PLC ± - ANGLES ± -	CABLE ASSEMBLY, 28 AWG TURBOTWIN, MINI-SAS HD, 8X		
MATERIAL	FINISH	APPLICATION SPEC	SIZE A1	CAGE CODE 00779
		WEIGHT	DRAWING NO C=2202505	RESTRICTED TO
		CUSTOMER DRAWING	SCALE 1:1	SHEET 1 OF 2 REV E

REVISIONS				
P	LYR	DESCRIPTION	DATE	APPV
-	-	SEE SHEET 1	-	-



THIS DRAWING IS A CONTROLLED DOCUMENT.		DIN P. LI 09MAR2012	TE Connectivity	
DIMENSIONS: mm		CHK J. MEYERS 09MAR2012		
		APPV J. MEYERS 09MAR2012	NAME	
TOLERANCES UNLESS OTHERWISE SPECIFIED:		CABLE ASSEMBLY, 28 AWG TURBOTWIN, MINI-SAS HD, 8X		
0 PLC ± -		PRODUCT SPEC		
1 PLC ± -		APPLICATION SPEC		
2 PLC ± -		SIZE CAGE CODE DRAWING NO RESTRICTED TO		
3 PLC ± -		A1 00779 C=2202505		
4 PLC ± -		WEIGHT 0		
ANGLES ± -		CUSTOMER DRAWING		
FINISH		SCALE 1:1 SHEET 2 OF 2 REV E		